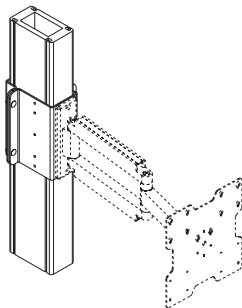




Installation and Assembly

Pole Clamp for SA740 & SP740

Model: MIS474



Max Load Capacity: 80 lb (36.3 kg)

NOTE: Read entire instruction sheet before you start installation and assembly.

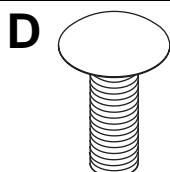
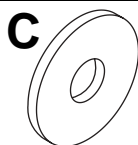
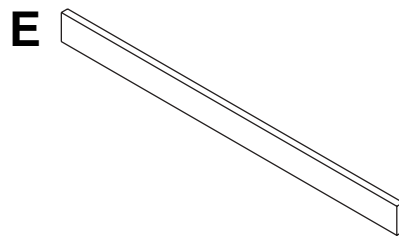
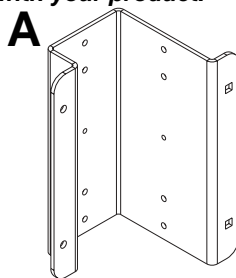
⚠ WARNING

- Do not begin to install your Peerless product until you have read and understood the instructions and warnings contained in this Installation Sheet. If you have any questions regarding any of the instructions or warnings, please call Peerless customer care at 1-800-865-2112.
- This product should only be installed by a qualified professional.
- Make sure that the supporting surface will safely support the combined load of the equipment and all attached hardware and components.
- Never exceed the Maximum Load Capacity of 80 lb (36.3 kg).
- Always use an assistant or mechanical lifting equipment to safely lift and position equipment.
- Tighten screws firmly, but do not overtighten. Overtightening can damage the items, greatly reducing their holding power.

Tools Needed for Assembly • phillips screwdriver • 7/16" socket wrench • 3/32" allen wrench
Before you start make sure all parts listed are included with your product.

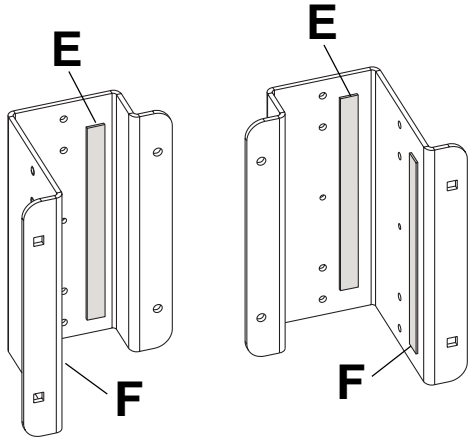
Parts Lists

	Description	Qty.	Part #
A	tent pole bracket	2	124-4853
B	1/4-20 jam nylock nut	4	530-2046
C	1/4 x 1/16" flat washer	4	540-9401
D	1/4-20 x 3/4" carriage bolt	4	520-9513
E	large bumper strip	2	570-1029
F	small bumper strip	2	599-3802
G	set screw	2	520-1127

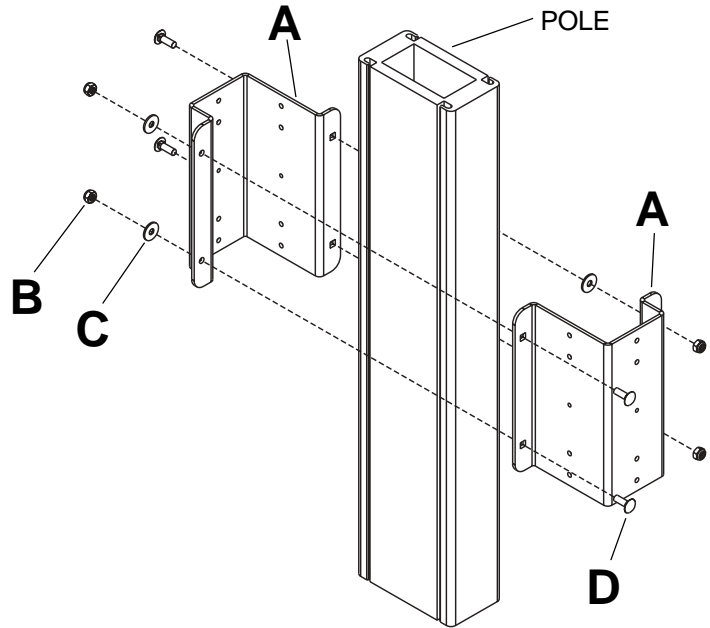


Some parts may not appear exactly as illustrated

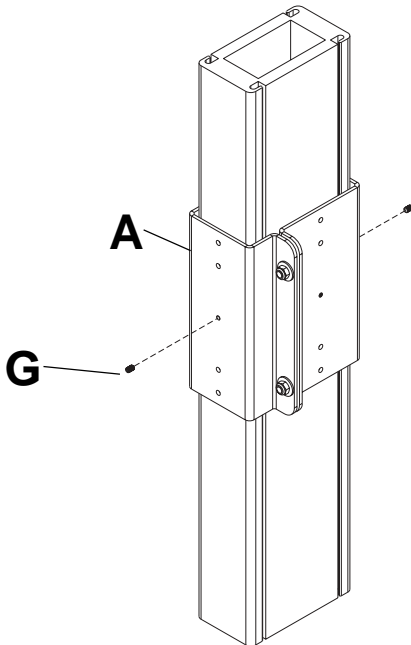
- 1** Use one bumper strip (**E & F**) on each of the tent pole brackets (**A**) as shown below.



- 2** Using a socket wrench, attach two tent pole brackets (**A**) together around pole with four 1/4-20 x 3/4" carriage bolts (**D**), 1/4 x 1/16" flat washers (**C**) and 1/4-20 jam nylock nuts (**B**).



- 3** Fasten one set screw (**G**) to each tent pole bracket (**A**) to the opposite side of where the mount will be. **NOTE: Do not** use set screw (**G**) in the location of where the mount will be.



- 4** Using two 1/4-20 x 1/2" flat head phillips screws (included with SA740 or SP740) attach mount to tent pole brackets (**A**). Follow the main instruction sheet of model SA740 or SP740 to complete installation.

