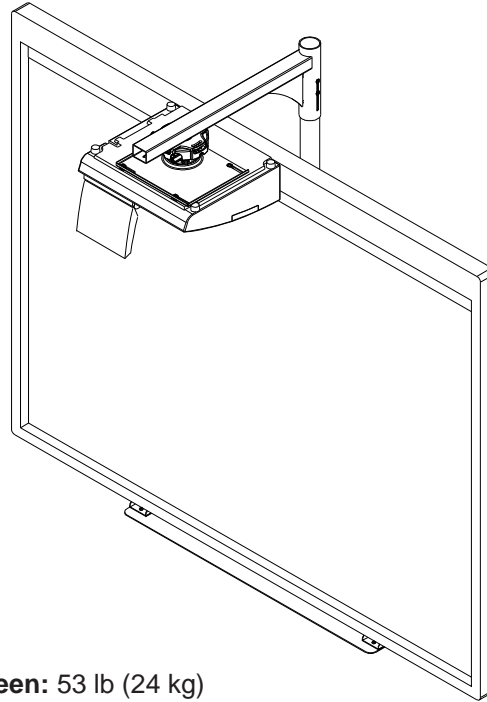




# Installation and Assembly: Dukane LB77S White Board to be used with A100IWBMOUNT

**Model:** MIS530



**Maximum Load Capacity for Screen:** 53 lb (24 kg)

**Maximum Load Capacity for Projector :** 13.5 lb (6 kg)

## Parts List

Description	qty	part #
A left hook bracket	1	055-1874
B right hook bracket	1	055-1875
C M4 x 6 mm phillips screw	8	504-9007
D # 10 - 32 phillips screw	2	500-1023

**A**



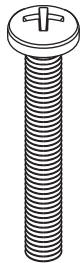
**B**



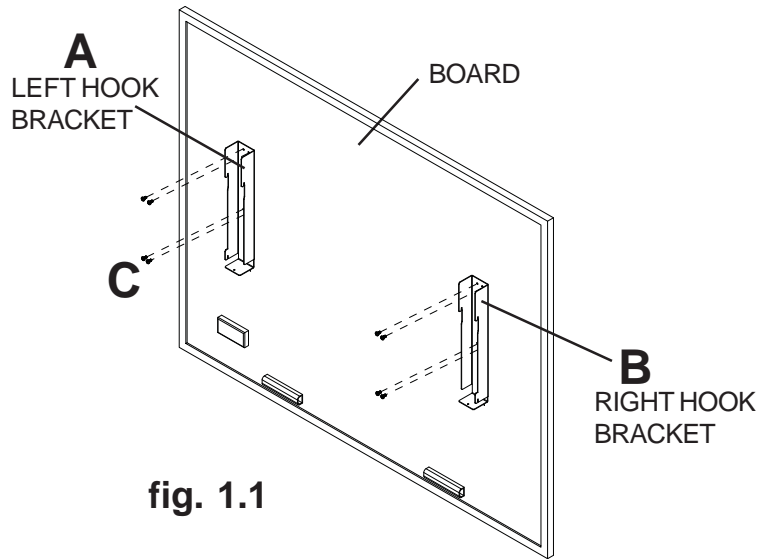
**C**



**D**

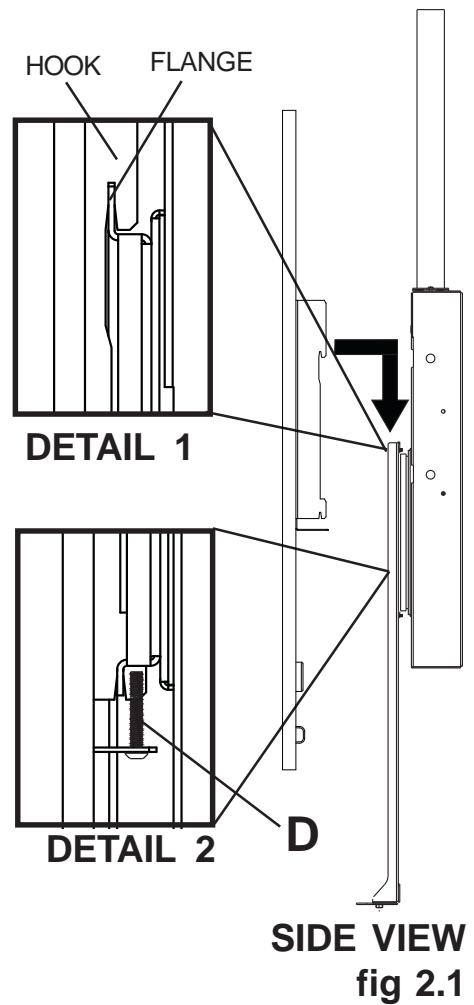


**1** Secure each hook bracket (**A and B**) to board using eight M4 x 6 mm phillips screw (**C**).



**fig. 1.1**

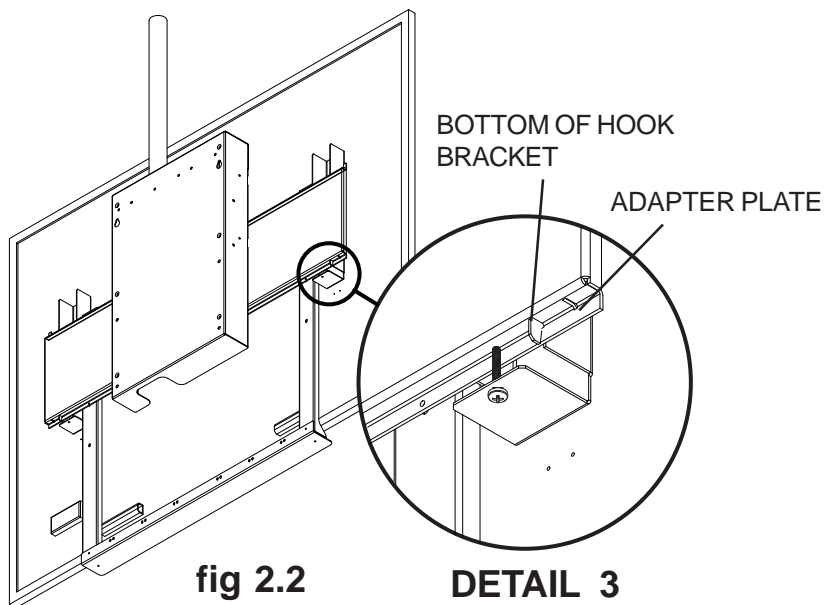
**2** Hook brackets (**A and B**) into adapter plate as shown in fig. 2.1 and detail 1. The hooks will go over the flange on the top and the bottom of hook bracket (**A and B**) into the slots as shown in detail 1 and detail 3. Fasten #10-32 phillips pan screws (**D**) on each hook bracket (**A and B**) and tighten to wall plate as shown in detail 2. To remove screen from mount, loosen screws and lift screen off of mount.



**SIDE VIEW**  
**fig 2.1**

## CAUTION

- Do not tighten screws with excessive force. Overtightening can cause damage to mount. Tighten screws to 40 in. • lb (4.5 N.M.) maximum torque.



**fig 2.2**

**DETAIL 3**