

Please read this information first

Read entire instruction sheet before beginning assembly and installation.

Check parts on parts listing before beginning assembly.

Many accessories are available for this product. Please contact customer service or visit website for more information.

This product is intended for indoor use only. Use of this product outdoors could lead to product failure and personal injury.

The retainer bar (D) in step 4 must be placed with extruded side towards the anti rollout hook (C).

Pay close attention to the assembly of the threaded flush mount tube (N) in step 6. The retaining collar (K) threads up into the horizontal support (G). The set screw (W) is then installed from the inside of that collar into the notch in the tube. Refer to drawings for correct placement.

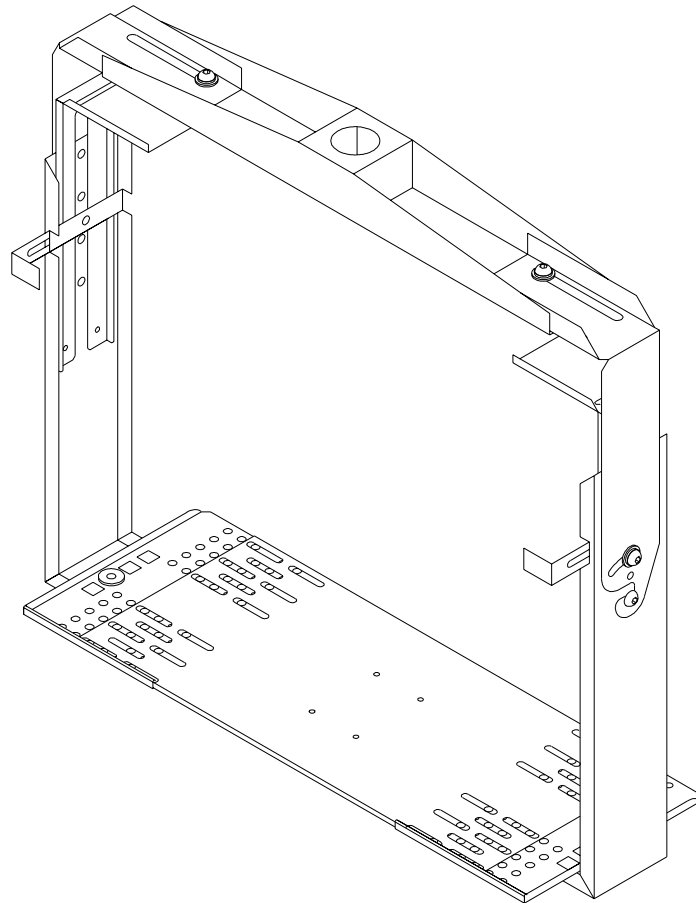
The placement of set screw (W) in detail 3 of step 6 is essential to the safety of the installation.



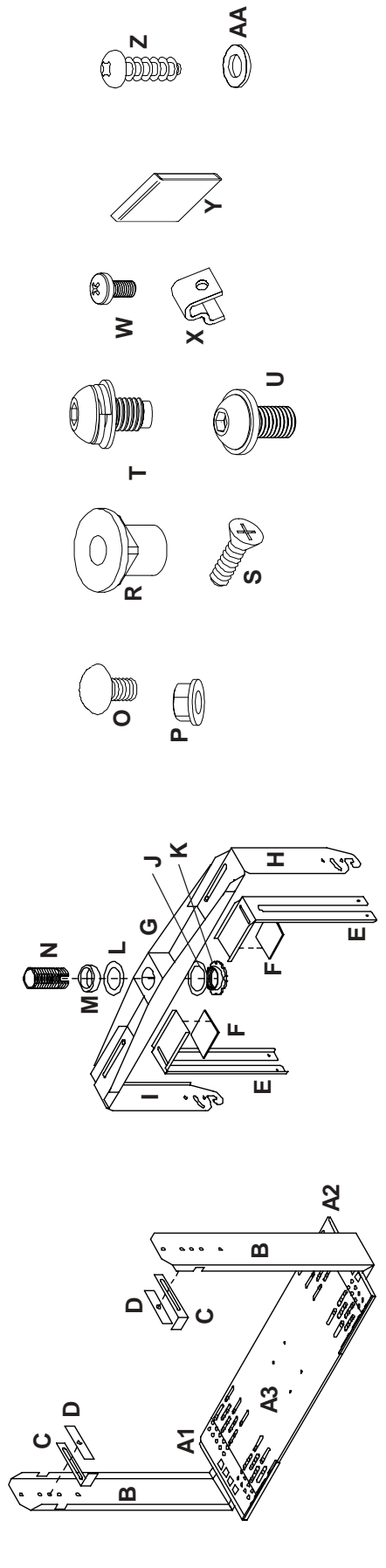
This product is intended for use with UL Listed products and must be installed by a qualified professional installer.

Product is UL rated up to ___ TV sizes, per attached chart

Model #	TV size
JM 2630	17"
JM 2640, JM 2640D	21"
JM 2650, JM 2650D, JM 2655	27"
JM 2660, JM 2665	35"
JM 2670, JM 2675	40"



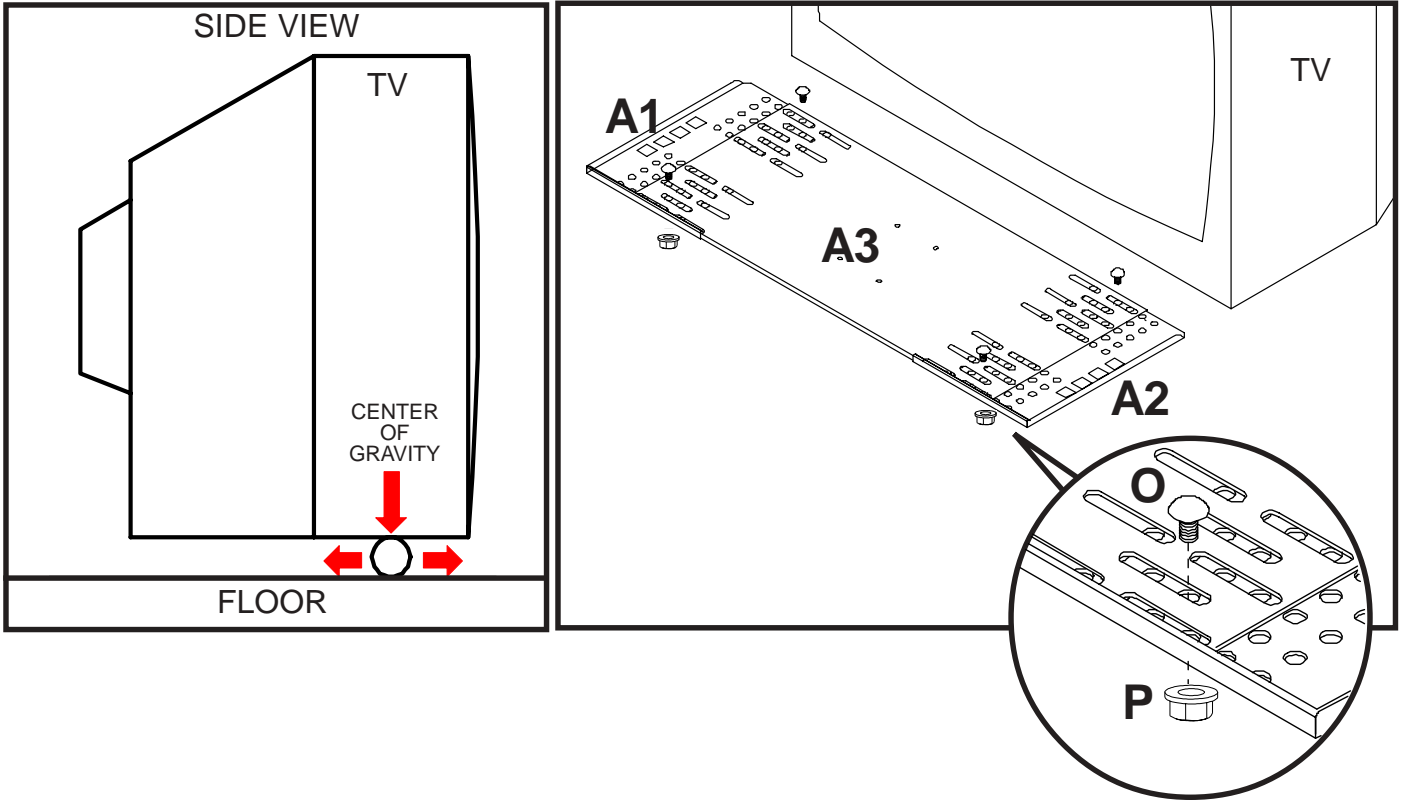
DESCRIPTION	QTY.	MODEL NUMBER													
		JM 2630	JM 2640	JM 2640D	JM 2650	JM 2650D	JM 2655	JM 2660	JM 2665	JM 2670	JM 2675				
A1 support tray left	1	128-1023	128-1023	128-1026	128-1023	128-1026	128-1026	128-1026	128-1026	128-1026	128-1026	128-1026	128-1026	128-1026	128-1026
A2 support tray right	1	128-1024	128-1024	128-1027	128-1024	128-1027	128-1027	128-1027	128-1027	128-1027	128-1027	128-1027	128-1027	128-1027	128-1027
A3 support tray center	1	128-1128	128-1129	128-1134	128-1130	128-1135	128-1130	128-1135	128-1130	128-1135	128-1130	128-1135	128-1130	128-1135	128-1137
B vertical support arm	2	128-1107	128-1109	128-1109	128-1111	128-1109	128-1111	128-1109	128-1111	128-1109	128-1111	128-1109	128-1111	128-1111	128-1113
C anti-rollout hook	2	128-1116	128-1116	128-1116	128-1116	128-1116	128-1116	128-1116	128-1116	128-1116	128-1116	128-1116	128-1116	128-1116	128-1116
D retainer bar	2	128-1117	128-1117	128-1117	128-1117	128-1117	128-1117	128-1117	128-1117	128-1117	128-1117	128-1117	128-1117	128-1117	128-1117
E top clamp	2	128-1105	128-1105	128-1105	128-1105	128-1105	128-1105	128-1105	128-1105	128-1105	128-1105	128-1105	128-1105	128-1105	128-1105
F adhesive pad	2	570-0024	570-0024	570-0024	570-0024	570-0024	570-0024	570-0024	570-0024	570-0024	570-0024	570-0024	570-0024	570-0024	570-0024
G horizontal support	1	128-1016	128-1017	128-1017	128-1018	128-1018	128-1018	128-1018	128-1018	128-1018	128-1018	128-1018	128-1018	128-1018	128-1020
H tilt bracket right	1	128-1340	128-1335	128-1335	128-1335	128-1335	128-1335	128-1335	128-1335	128-1335	128-1335	128-1335	128-1335	128-1335	128-1335
I tilt bracket left	1	128-1339	128-1334	128-1334	128-1334	128-1334	128-1334	128-1334	128-1334	128-1334	128-1334	128-1334	128-1334	128-1334	128-1334
J fiber washer - large inside dia.	1	540-9432	540-9432	540-9432	540-9432	540-9432	540-9432	540-9432	540-9432	540-9432	540-9432	540-9432	540-9432	540-9432	540-9432
K retaining collar	1	1800-375	1800-375	1800-375	1800-375	1800-375	1800-375	1800-375	1800-375	1800-375	1800-375	1800-375	1800-375	1800-375	1800-375
L fiber washer - small inside dia.	1	540-9431	540-9431	540-9431	540-9431	540-9431	540-9431	540-9431	540-9431	540-9431	540-9431	540-9431	540-9431	540-9431	540-9431
M spacer (only 2630-2640D models)	1	128-0067	128-0067	128-0067	-	-	-	-	-	-	-	-	-	-	-
N flush mount tube	1	1446-014	1446-014	1446-014	1446-014	1446-014	1446-014	1446-014	1446-014	1446-014	1446-014	1446-014	1446-014	1446-014	1446-014
O 5/16 - 18 x 1/2" carriage bolt	4	520-9207	520-9207	520-9207	520-9207	520-9207	520-9207	520-9207	520-9207	520-9207	520-9207	520-9207	520-9207	520-9207	520-9207
P 5/16 washer/nut combo	4	530-1016	530-1016	530-1016	530-1016	530-1016	530-1016	530-1016	530-1016	530-1016	530-1016	530-1016	530-1016	530-1016	530-1016
R M10-1.5 x .7 flange nut	2	520-9261	520-9261	520-9261	520-9261	520-9261	520-9261	520-9261	520-9261	520-9261	520-9261	520-9261	520-9261	520-9261	520-9261
S M6 x 18 mm flat phillips screw	2	520-1166	520-1166	520-1166	520-1166	520-1166	520-1166	520-1166	520-1166	520-1166	520-1166	520-1166	520-1166	520-1166	520-1166
T M10-1.5 x 16 mm socket screw/washer combo	8	520-1041	520-1041	520-1041	520-1041	520-1041	520-1041	520-1041	520-1041	520-1041	520-1041	520-1041	520-1041	520-1041	520-1041
U M10 serrated flange head screw	2	520-1105	520-1105	520-1105	520-1105	520-1105	520-1105	520-1105	520-1105	520-1105	520-1105	520-1105	520-1105	520-1105	520-1105
W M5 x .8 x 10 mm screw	6	520-9250	520-9250	520-9250	520-9250	520-9250	520-9250	520-9250	520-9250	520-9250	520-9250	520-9250	520-9250	520-9250	520-9250
X uni-clip	4	2245-081	2245-081	2245-081	2245-081	2245-081	2245-081	2245-081	2245-081	2245-081	2245-081	2245-081	2245-081	2245-081	2245-081
Y plastic cover for anti-rollout hook	2	590-1055	590-1055	590-1055	590-1055	590-1055	590-1055	590-1055	590-1055	590-1055	590-1055	590-1055	590-1055	590-1055	590-1055
Z #10 x 3/4 particle board screw	4	500-9006	500-9006	500-9006	500-9006	500-9006	500-9006	500-9006	500-9006	500-9006	500-9006	500-9006	500-9006	500-9006	500-9006
AA #10 flat washer	4	540-9400	540-9400	540-9400	540-9400	540-9400	540-9400	540-9400	540-9400	540-9400	540-9400	540-9400	540-9400	540-9400	540-9400



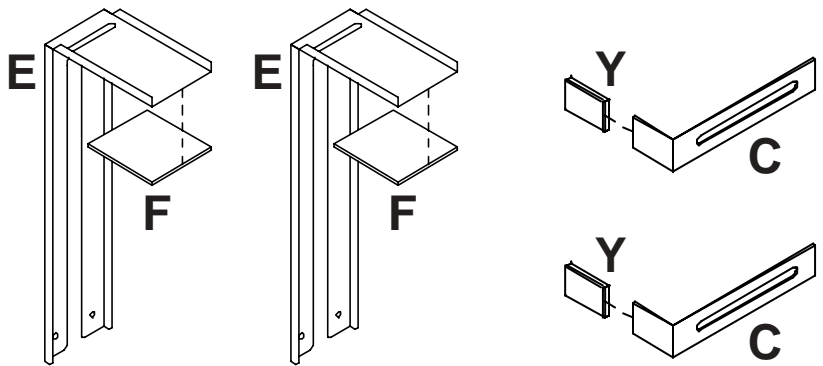
1 Place TV onto a piece of pipe as shown. (Pipe should be a few inches wider than the TV.) Roll TV back and forth to find the balance point. This is the **center of gravity**. Mark the center of gravity on the side of the TV.

2 Adjust support tray (**A1**, **A2**, & **A3**, three pieces) to match width of TV.

Lock support tray using four carriage bolts (**O**), and washer/nut combos (**P**). Tighten securely.



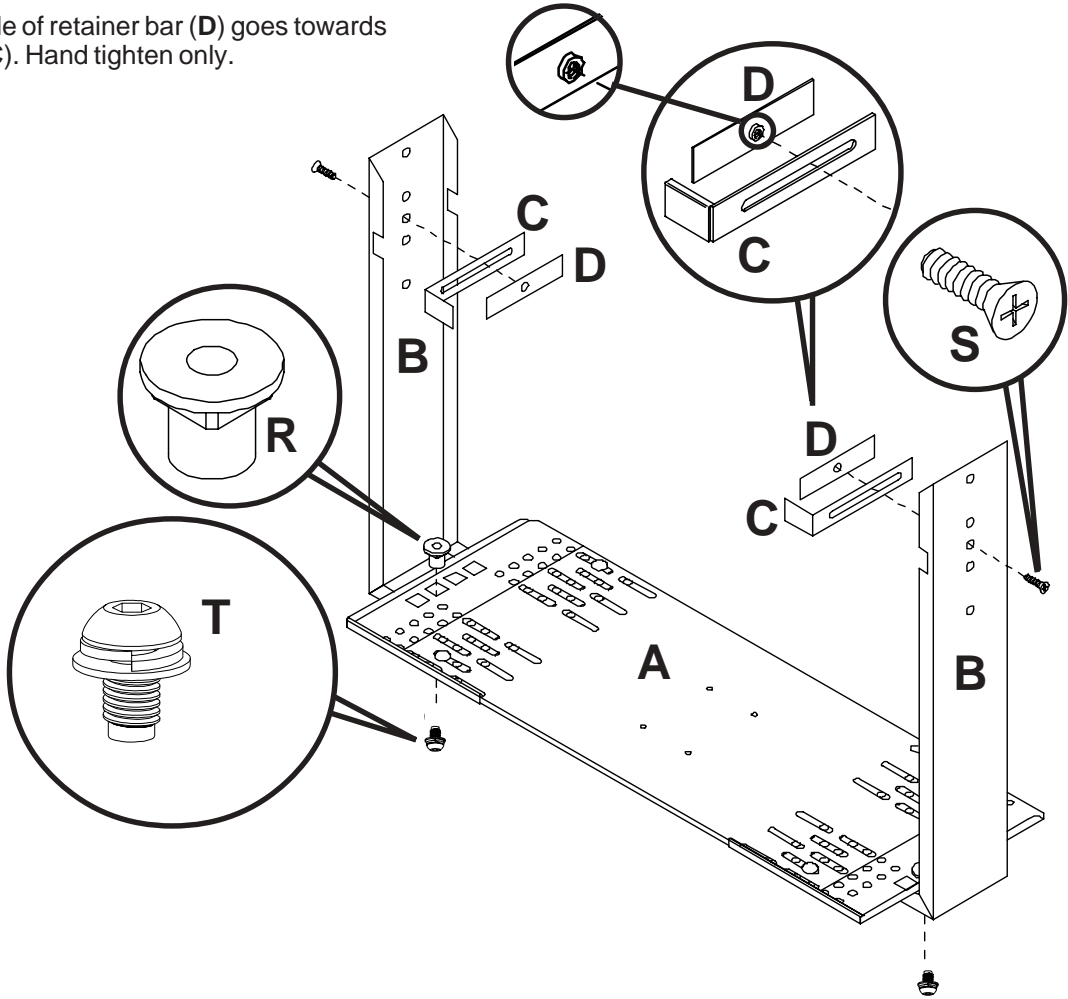
3 Attach adhesive pads (**F**) to top clamps (**E**).
Insert plastic covers (**Y**) onto ends of anti-rollout hooks (**C**).



4

Attach support tray (A) to vertical support arms (B) as shown. Choose the square hole which aligns closest with the center of gravity mark on the TV (as determined in step 1). Attach anti-rollout hooks (C) as shown using M6 screws (S) and retainer bars (D).

Note: Extruded side of retainer bar (D) goes towards anti-rollout hook (C). Hand tighten only.

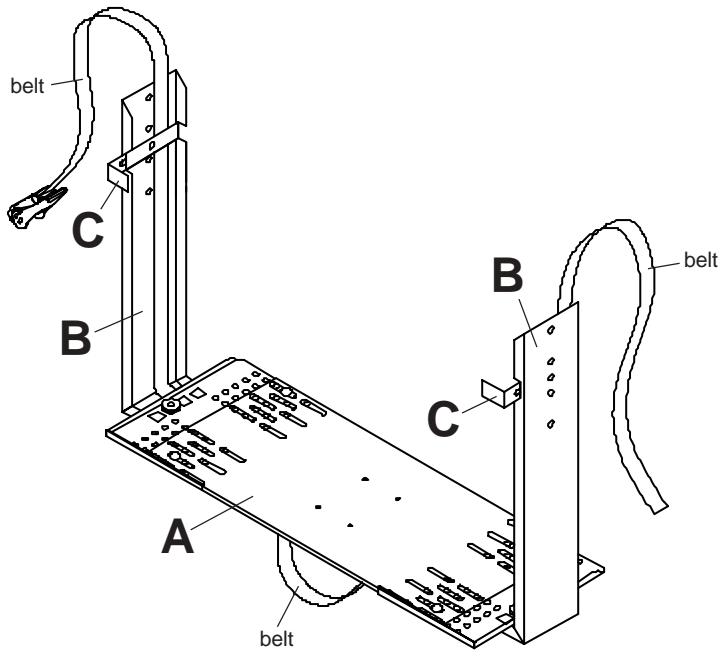


Required for OSHPD approved installation - optional otherwise

Although top clamps (E) and anti-rollout hooks (C) [see step 5] will provide more than adequate support for the TV, some installers may wish to also attach the support tray to the TV bottom.

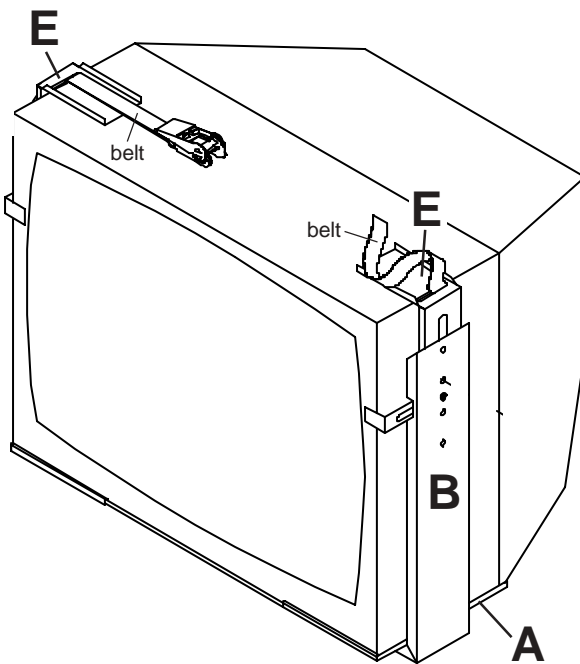
Using uni-clips (X) and M5 screws (W) (see instruction card in fastener pack), or #10 x 3/4" particle board screws (Z) and washers (AA) (for attachment to mounting bosses if present), or a combination of both, attach support tray (A) to TV bottom. [To do this place TV upside down on a flat stable surface and position support tray upside down on TV bottom.] Attach at four places as close to the four corners of the TV bottom as possible.

**Safety belt, ACC 666 (Sold Separately), required for OSHPD approved installation.
Use of this belt is optional for all other installations.**

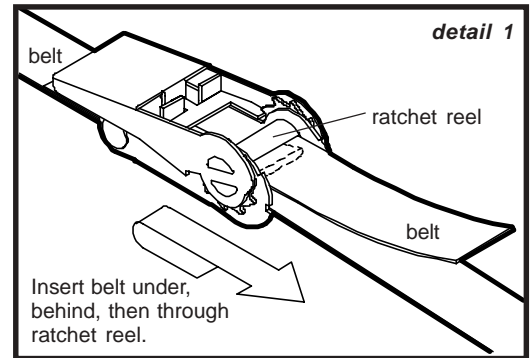


Optional safety belt ACC 666 (required for OSHPD approved installation) sold separately.

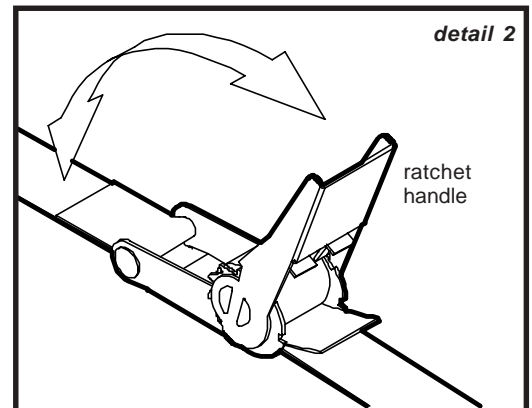
Thread belt between support arms (B) and anti-rollout hooks (C), and between support arms (B) and support tray (A).



Position TV on support tray (A), thread belt through slots in top clamps (E). Secure TV with belt as directed in **detail 1, 2 & 3**.



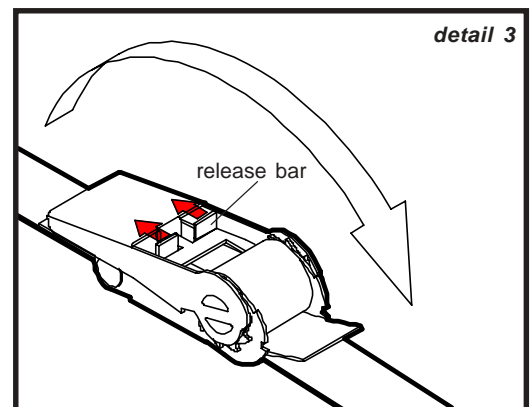
Wrap belt around TV or monitor and mounting surface. Insert end of belt through ratchet reel and pull until ALL slack is out of belt.



Pump ratchet handle to tighten belt. For secure hold, ratchet reel must have at least two layers of belt around it.

Note: Too many layers of belt around ratchet reel will cause it to jam. To avoid this problem be sure to remove ALL slack from belt before pumping ratchet handle.

After belt is tight, close ratchet handle.



To release, compress release bar and open ratchet handle 180°.

5

Note: Slots in corners of top clamps (E) and corners of vertical support arms (B) allow for the installation of safety belt (model ACC 666, sold separately). If using this belt, install it now as shown on page five.

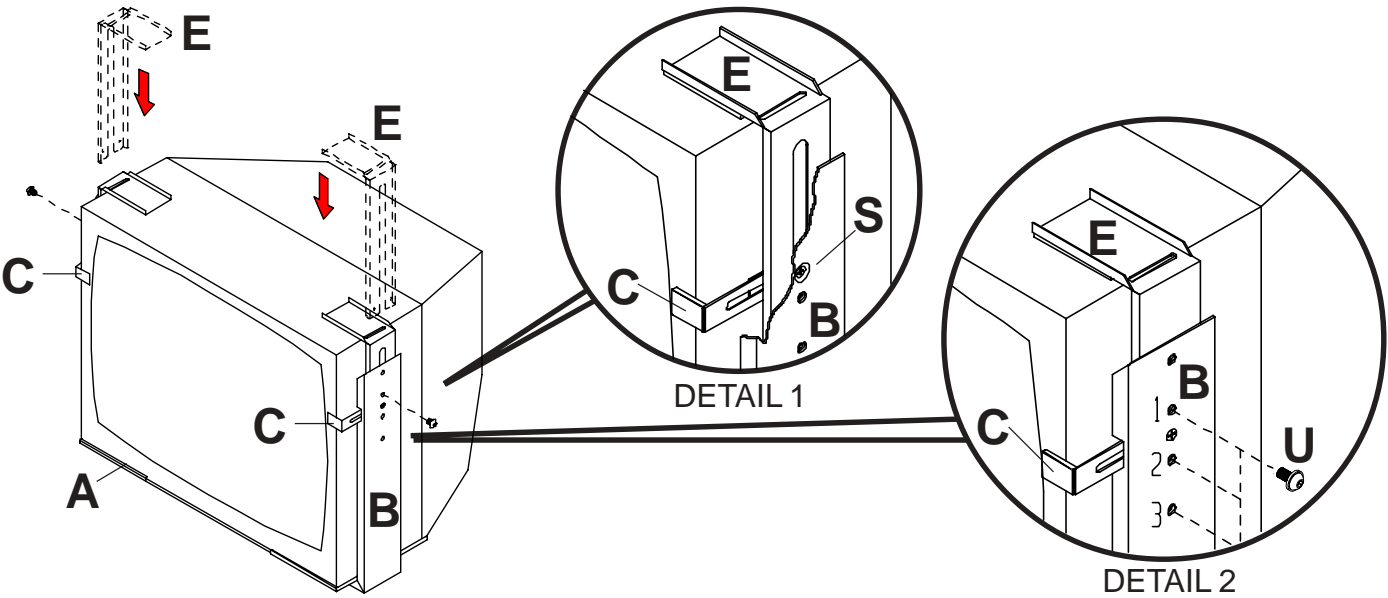
Position TV onto support tray (A). Position anti-rollout hooks (C) against front edge of TV.

⚠ WARNING

- Each anti-rollout hook (C) should have at least 1/4" of surface contact and fit snugly against the front edge of the TV cabinet. If this is not the case, the support tray (A) must be adjusted smaller [see step 2], or the vertical support arms (B) adjusted inward [see step 4].

Insert and press down on top clamps (E) with sufficient force to assure that the top clamps are fitted snugly to the TV cabinet. **Note:** Top clamps (E) fit between rollout protectors (C) and vertical support arms (B) [DETAIL 1]. Press down on each top clamp (E) while securely tightening each M6 screw (S).

Press inwards on the left and right vertical support arms (B) with sufficient force to assure that the arms are fitted snugly to the TV cabinet. By hand, thread one M10 serrated flange head screw (U) into each vertical support arm (B) through one of three threaded holes [1, 2, or 3; DETAIL 2]. Choose the threaded holes that will allow just enough clearance (approximately 1 1/2") between the horizontal support arm and top clamps [see step 7]. Leave about 1/4" of exposed thread.



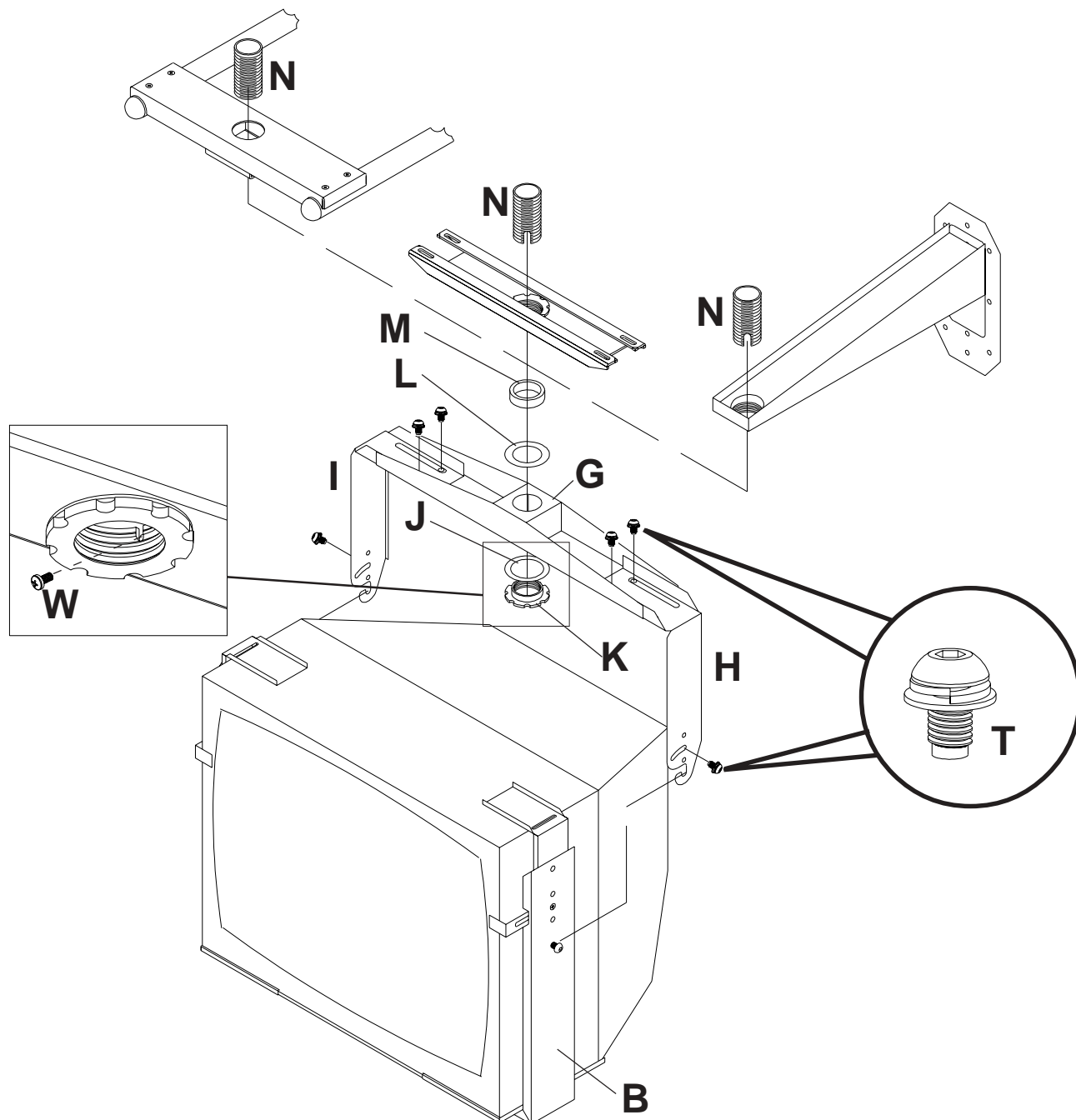
6**Jumbo mount shown with optional ceiling plate/wall arm accessories.**

FIRST: From the top fully thread flush mount tube (**N**) into threaded fitting in wall arm or ceiling plate. Install the wall arm or ceiling plate according to instructions included with it.

NEXT: Attach right and left tilt brackets (**H & I**) to horizontal support (**G**) using four screw/washer combos (**T**). Before tightening screws make sure tilt brackets are adjusted horizontally to align precisely with screws in the side of vertical support arms (**B**). Attach horizontal support (**G**) to wall arm or ceiling plate using fiber washers (**J & L**), spacer (**M**, only included with smaller models) and retaining collar (**K**). **IMPORTANT:** Retaining collar (**K**) requires a safety screw (**W**) [refer to DETAIL 3, page 8].

FINALLY: Be sure that hooks in right and left tilt brackets (**H & I**) are open end forward. Hang the TV / bracket assembly.

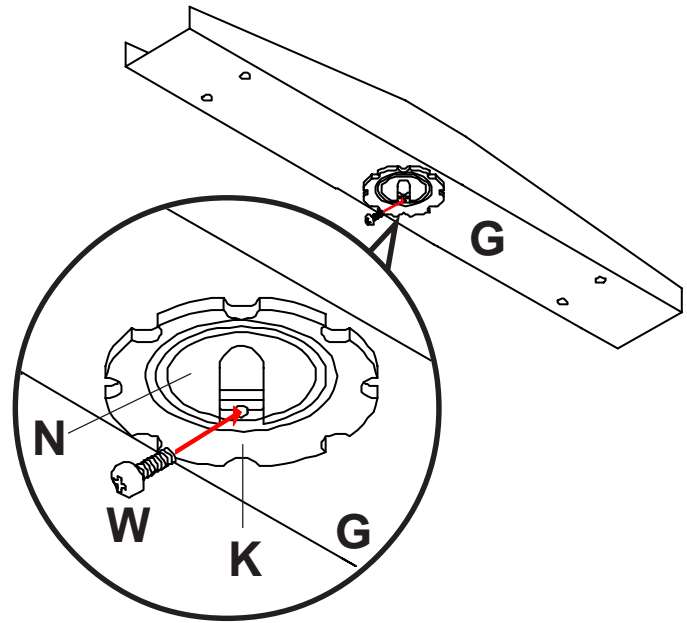
Insert one screw/washer combo (**T**) through slot in each tilt bracket (**H & I**). Hand tighten.



When attaching the horizontal support (**G**) to wall arm or ceiling plate, carefully thread retaining collar (**K**) onto end of flush mount (**N**) tube (or extension column). Tighten at least four complete turns ending with one of the small threaded holes aligned with slot in the end of flush mount tube (**N**) (or extension column). Insert and tighten one M5 screw (**W**).

⚠ WARNING

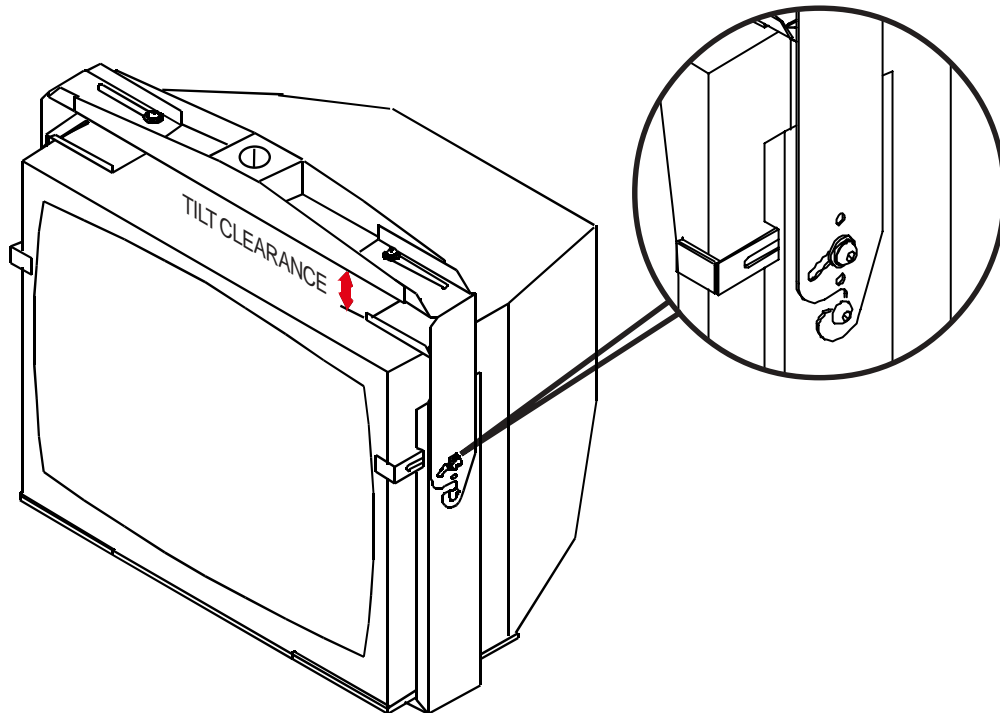
- Screw (**W**) is self tapping and may be hard to get started but is essential to this installation. Failure to install this screw can cause the mount to fall.



DETAIL 3
(BOTTOM VIEW)

6

Adjust TV to desired tilt, then **TIGHTEN ALL SCREWS SECURELY**. Maximum tilt is 30°. If tilt clearance is a problem revisit step 5, DETAIL 2.



APPLICATION: ATTACHMENT TO WOOD / CONCRETE MOUNTING SURFACE

JUMBO 2000® SPECIFICATIONS

Jumbo 2000 mount		TV/Monitor		Product Peerless rated when attached to...				
Model Number	Support Tray Depth	Screen Size	Screen Aspect Ratio	Wall Arm	Wall Arm	Double	Suspended	Ceiling Plate
				WMJ 018	WMJ 022	Wall Arm WMJ 025H	Ceiling Plate CMJ 450	CMJ 470, CMJ 480, CMJ 490
JM 2630	10" (254 mm)	13" - 17" (330 mm) (432 mm)	standard	150 lb (65 kg)	150 lb (65 kg)	150 lb (65 kg)	150 lb (65 kg)	150 lb (65 kg)
JM 2640	10" (254 mm)	19" - 21" (482 mm) (533 mm)	standard	150 lb (65 kg)	150 lb (65 kg)	150 lb (65 kg)	150 lb (65 kg)	150 lb (65 kg)
JM 2640D	14" (356 mm)	19" - 21" (482 mm) (533 mm)	standard	150 lb (65 kg)	150 lb (65 kg)	150 lb (65 kg)	150 lb (65 kg)	150 lb (65 kg)
JM 2650	10" (254 mm)	25" - 27" (635 mm) (711 mm)	standard	*	150 lb (65 kg)	150 lb (65 kg)	150 lb (65 kg)	150 lb (65 kg)
JM 2650D	14" (356 mm)	25" - 27" (635 mm) (711 mm)	standard	*	150 lb (65 kg)	150 lb (65 kg)	150 lb (65 kg)	150 lb (65 kg)
JM 2655	14" (356 mm)	25" - 27" (635 mm) (711 mm)	wide	*	150 lb (65 kg)	150 lb (65 kg)	150 lb (65 kg)	150 lb (65 kg)
JM 2660	14" (356 mm)	30" - 35" (762 mm) (889 mm)	standard	*	*	300 lb (137 kg)	250 lb (113 kg)	300 lb (137 kg)
JM 2665	14" (356 mm)	27" - 35" (686 mm) (889 mm)	wide	*	*	300 lb (137 kg)	250 lb (113 kg)	300 lb (137 kg)
JM 2670	14" (356 mm)	37" - 42" (940 mm) (1067 mm)	standard	*	*	300 lb (137 kg)	250 lb (113 kg)	300 lb (137 kg)
JM 2675	14" (356 mm)	35" - 42" (889 mm) (1067 mm)	wide	*	*	300 lb (137 kg)	250 lb (113 kg)	300 lb (137 kg)

*not compatible

⚠ WARNING

- Weight of TV or monitor not to exceed maximum load capacity (Peerless rated)!