

Installation and Assembly - Double Wall Arm for Jumbo Mounts

Before you start make sure all parts shown below are included.

Model: WMJ 025HS

IMPORTANT! Read entire instruction sheet before you start installation and assembly.

For use only to support Jumbo Mount TV Brackets or other products as specified by Peerless. Combine only as specified (see specifications below). This product is intended for indoor use only. Use of this product outdoors could lead to product failure and personal injury.



This product is UL Listed. It must be installed by a qualified professional installer.

⚠ WARNING

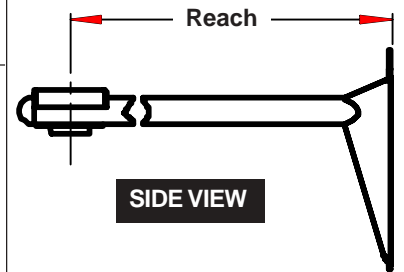
- Installer must verify that the supporting surface will safely support the combined weight of all attached equipment and hardware.

⚠ WARNING

- Do not attach directly to a metal stud wall. Use of a WSP wall plate is required for attachment to metal studs (contact customer service). Metal stud installation is not UL evaluated.

DOUBLE WALL ARM FOR JUMBO MOUNTS - SPECIFICATIONS

Model Number	Reach	Max. Load Capacity		Compatible Jumbo Mount Models
		Concrete	Wood	
WMJ 025HS	25" (635 mm)	300 lb (137 kg)	300 lb (137 kg)	Heavy Duty Wall Arm is compatible with all Jumbo Mounts. Recommended for models JM 2660S, JM 2665S, JM 2670S, JM 2675S, JMW 2650HS, JMW 2660HS, JMW 2665HS, JMW 2670HS, JMW 2675HS, JMW 2675HS



⚠ WARNING

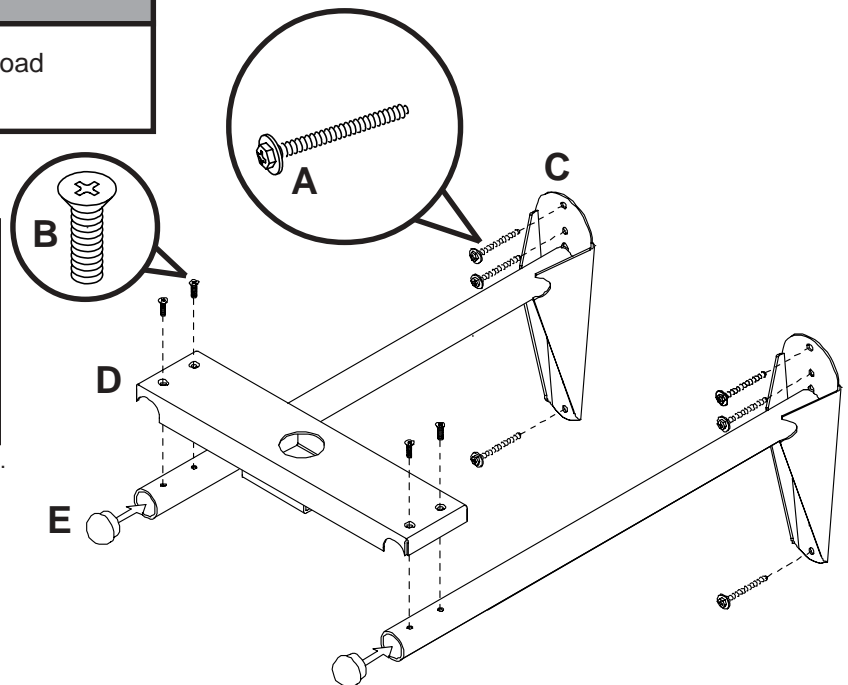
- Weight of display not to exceed maximum load capacity!

PARTS LIST

PART #	QTY.	DESCRIPTION
A 5S1-015-C04	6	#14 x 2.5" (6 mm x 65 mm) wood screw
B 520-2048	4	M6 x 1 x 20 mm phillips screw
C 128-4200	2	wall arm
D 128-4081	1	cross plate
E 590-4014	2	end cap

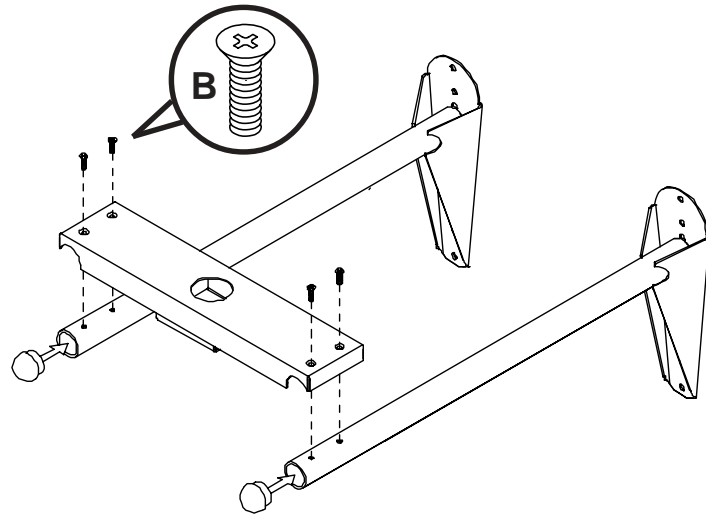
Note: Parts may appear slightly different than illustrated.

#14 x 2.5" (6 mm x 65 mm) wood screws for wood stud wall installations are included. For attachment to solid concrete, cinder block, or brick order **two #ACC 205** accessory kits (each contains three .312 x 1.625 (8 mm x 41 mm) concrete anchors.



- 1** Snap end caps (**E**) into ends of wall arms (**C**). Attach cross plate (**D**) to wall arms (**C**) using screws (**B**).

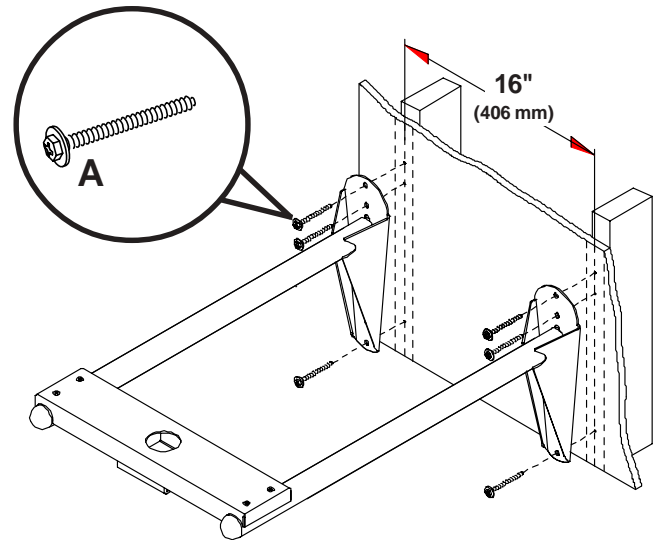
Note: Leave screws (**B**) slightly loose until all four are in place and then tighten them down.



- 2** For Wood Stud Walls locate and mark two stud centers. Studs must measure 16" (406 mm) from center to center. Drill one top left mounting hole [5/32" (4 mm) dia.] to a minimum depth of 2.5" (64 mm). Attach left side of Double Wall Arm using one #14 x 2.5" (6 mm x 65 mm) wood screw (**A**).

While holding Double Wall Arm level (use a level), drill one top right mounting hole [5/32" (4 mm) dia.] to a minimum depth of 2.5" (64 mm). Attach right side of Double Wall Arm using one #14 x 2.5" (6 mm x 65 mm) wood screw (**A**).

Drill four remaining holes and attach using four #14 x 2.5" (6 mm x 65 mm) wood screws (**A**).



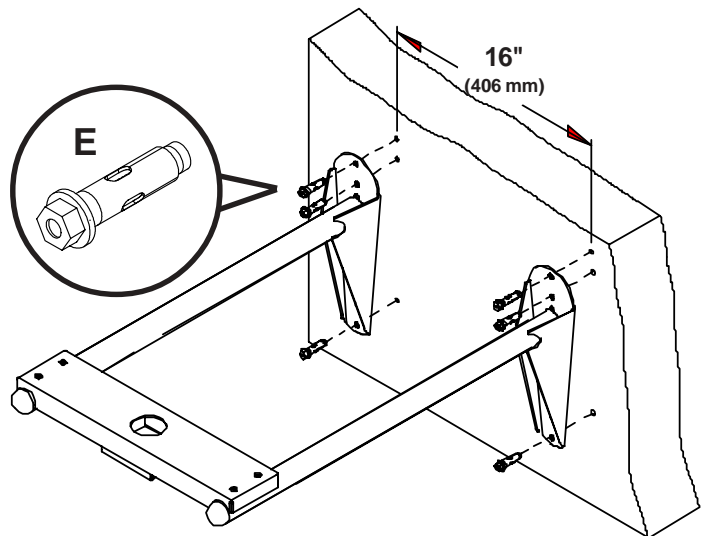
⚠ WARNING

- Tighten wood screws so that wall plate is firmly attached, but do not overtighten. Overtightening can damage the screws, greatly reducing their holding power.
- Never tighten in excess of 80 in • lb (9 N.M.).
- Make sure that mounting screws are anchored into the center of the studs. The use of an "edge to edge" stud finder is highly recommended.

⚠ WARNING

- When installing Peerless wall mounts on cinder block, verify that you have a minimum of 1-3/8" of actual concrete surface in the hole to be used for the concrete anchors. Do not drill into mortar joints! Be sure to mount in a solid part of the block, generally 1" minimum from the side of the block. Cinder block must meet ASTM C-90 specifications. It is suggested that a standard electric drill on slow setting is used to drill the hole instead of a hammer drill to avoid breaking out the back of the hole when entering a void or cavity.
- Concrete must be 2000 psi density minimum. Lighter density concrete may not hold concrete anchor.
- Make sure that the supporting surface will safely support the combined load of the equipment and all attached hardware and components.

- 3** For Solid Concrete or Cinder Block Walls drill one top left mounting hole [5/16" (8 mm) dia.] to a minimum depth of 1 3/4" (45 mm). Attach left side of Double Wall Arm using one concrete expansion anchor.
- While holding Double Wall Arm level (use a level), drill one top right mounting hole [5/16" (8 mm) dia.] to a minimum depth of 1 3/4" (45 mm). Attach right side of Double Wall Arm using one concrete expansion anchor.
- Drill four remaining holes and attach using four concrete expansion anchors.
- Tighten to 80 in • lb (9 N.M.) maximum torque using a 10 mm wrench.



Do not drill into mortar joints!

⚠ WARNING

- Tighten concrete anchor bolts firmly, but do not overtighten. Overtightening can damage the bolts, greatly reducing their holding power.
- Never tighten in excess of 80 in • lb (9 N.M.).

**FOR PRODUCT SAFETY USE ONLY...
RAWL™ #5005 OR HILTI™ HL814
CONCRETE ANCHORS.**

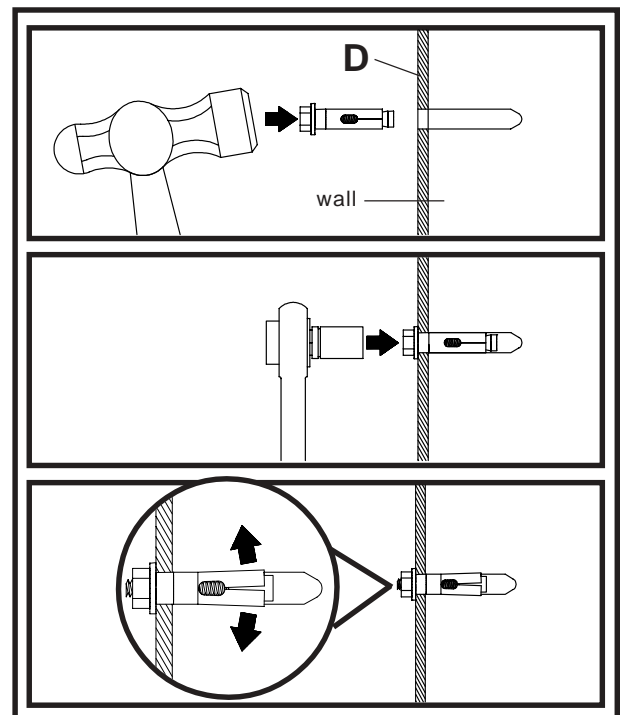
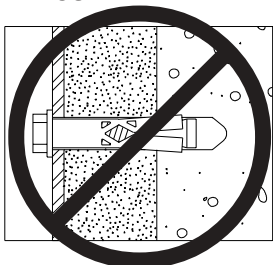
Order **TWO** accessory kits #ACC 205 [each kit contains three .312 x 1.625 (8 mm x 41 mm) concrete expansion anchors].



⚠ WARNING

- Always attach concrete expansion anchors directly to load-bearing concrete.
- Never attach concrete expansion anchors to concrete covered with plaster, drywall or other finishing material (not evaluated by UL).

CUTAWAY VIEW



- 4** Tighten four M6 screws (**B**).
Hang Jumbo Mount from Double Wall Arm using flush mount tube, fiber washers, and retaining collar included with Jumbo Mount. Follow detailed instructions included with Jumbo Mount.

