

Installation and Assembly - Solid•Point™ Flat Panel Straight Column Mount

Model: PLCM 1,
PLCM UNL

Read instruction sheet before you start installation and assembly.

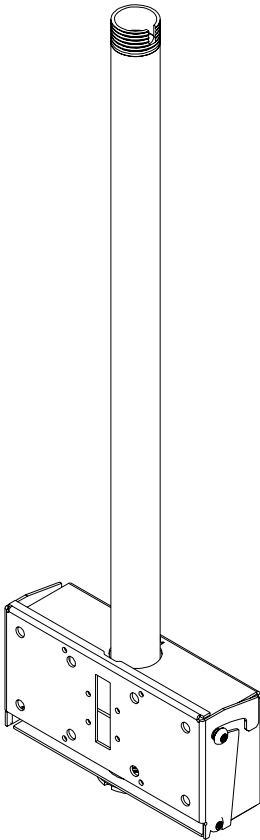


This product is intended for use with UL Listed products and must be installed by a qualified professional installer.

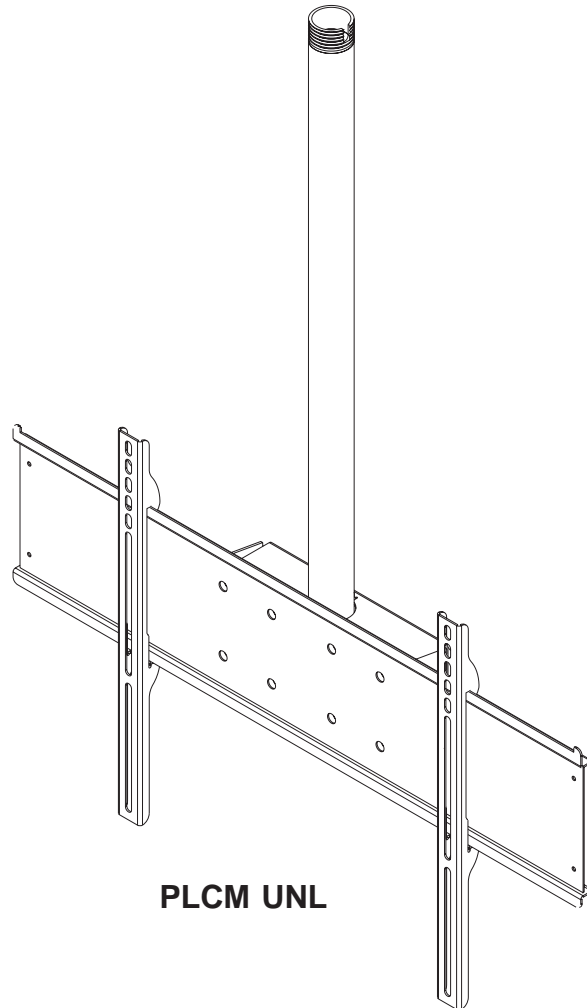
Model	Max. Load	Screen Size Range
PLCM-UNL	200 lb. (90.7 kg.)	32" - 60"
PLCM-1	225 lb. (102.3 kg.)	32" - 71"

⚠ WARNING

- Installer must verify that the ceiling will safely support the combined weight of all attached equipment and hardware.



PLCM 1



PLCM UNL

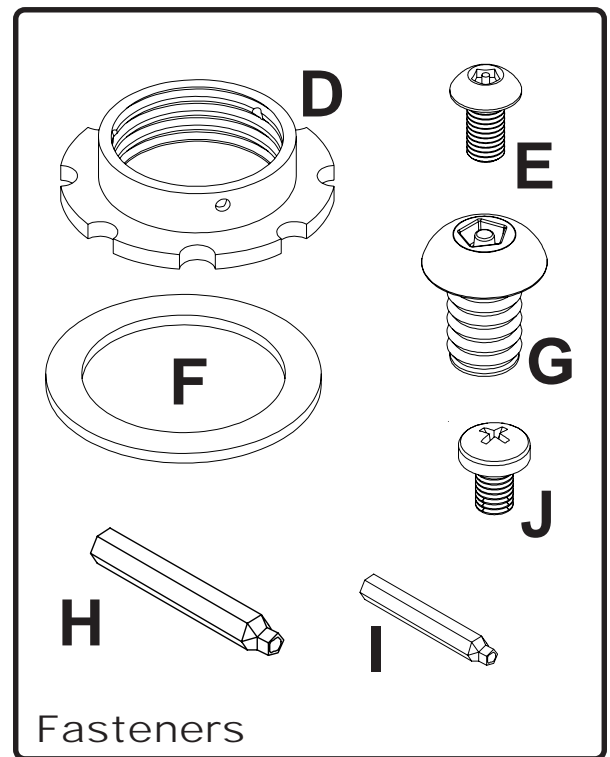
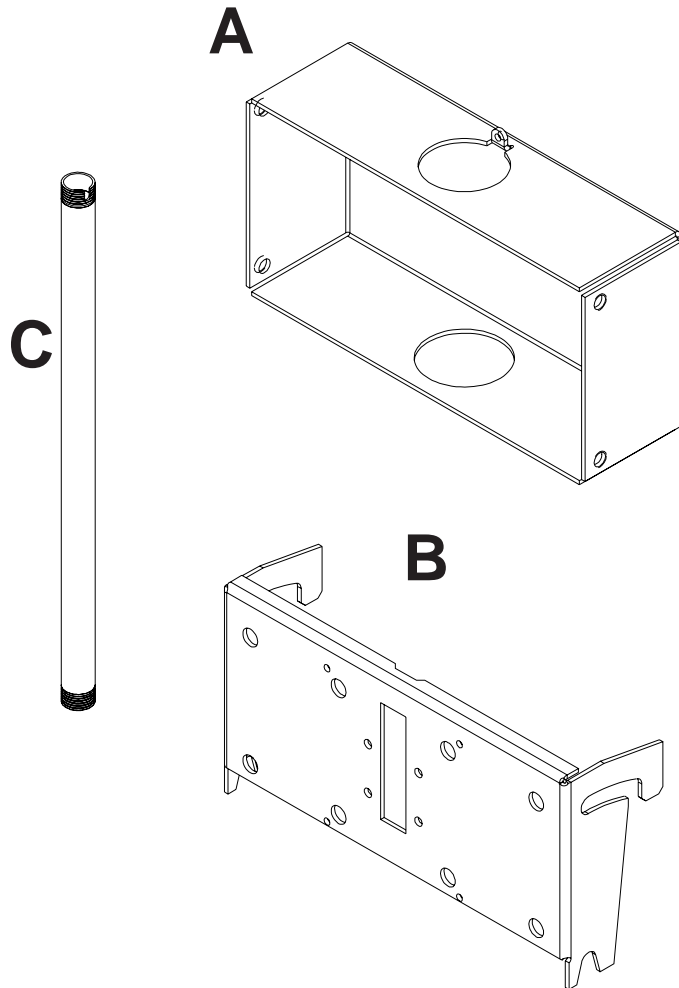
Note: Installation for 32" - 60" LCD and Flat Panel Screens for model PLCM-UNL

Note: Installation for 32" - 71" LCD and Flat Panel Screens for model PLCM-1

Before you begin, make sure all parts shown are included with your product.

PARTS LIST

Description	Qty	Part #
A ceiling arm box	1	201-1062
B tilt bracket	1	200-1552
C 33" support pipe	1	139-1088
D retaining collar	1	1800-375
E M5 x .8 x 10 mm penta-pin™ screw	4	505-9010
F 2.875 OD x 2.125 ID x .062 H fiber washer	1	540-9432
G M10 x 1.5 x 15 mm penta-pin screw	8	520-9263
H M10 x 2" penta-pin tool	1	520-9260
I M5 x 1" penta-pin tool	1	520-9249
J M5 x .8 x 8 mm phillips Type F screw	4	520-1167

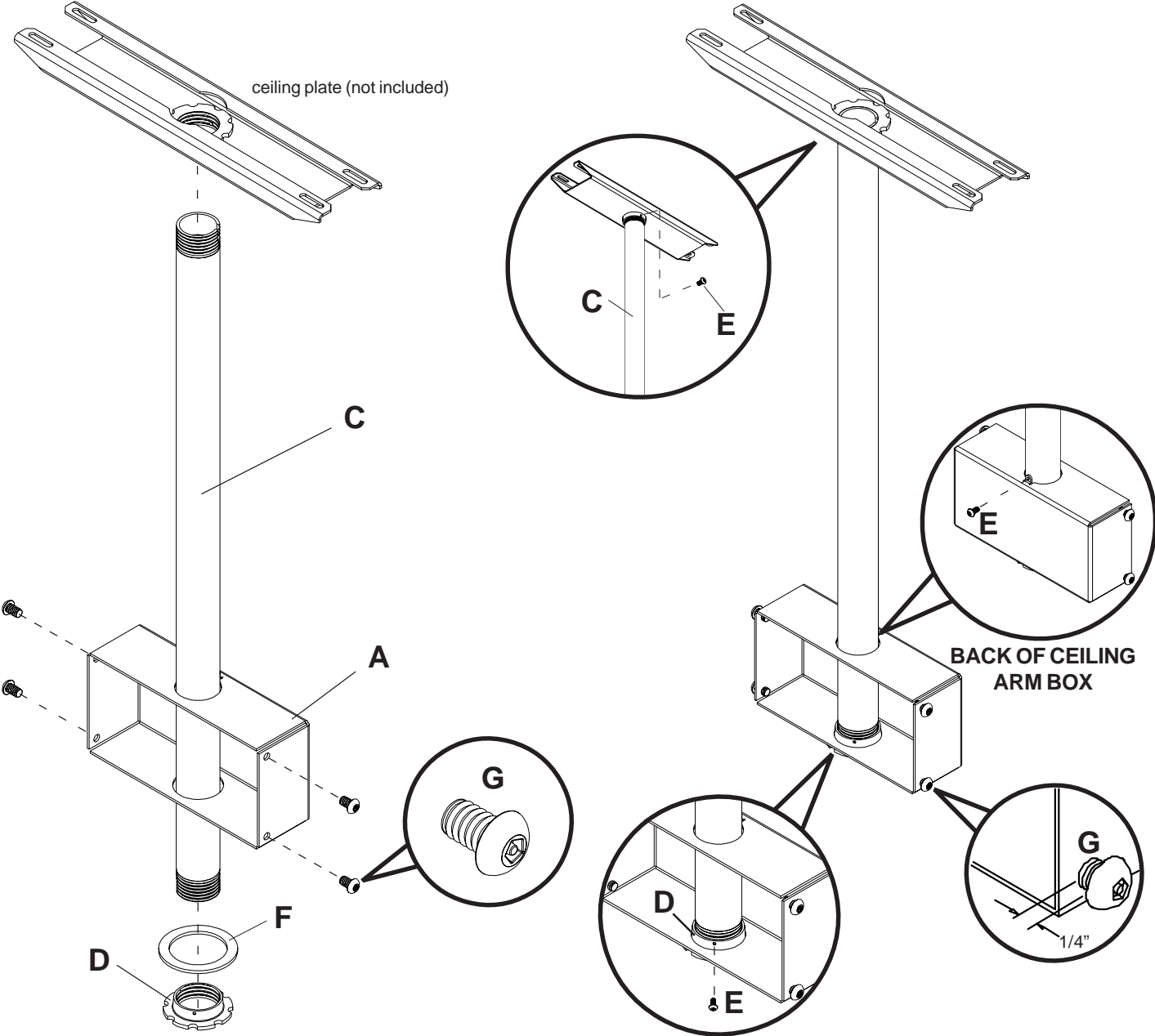


Note: Some parts may not appear exactly as illustrated.

1

Thread support pipe (C) into threaded fitting in ceiling plate (UL Listed CMJ470, not included). Tighten - four or five complete turns - leaving slot aligned with one small hole in the side of the ceiling plate threaded fitting. Insert and tighten one M5 x .8 x 10 mm penta-pin screw (E) provided with ceiling plate as shown. Use the M5 penta-pin tool (I) to tighten screw. BY HAND, insert four M10 x 1.5 x 15 mm penta-pin screws (G) into threaded holes in the sides of ceiling arm box (A). Leave approximately 1/4" of exposed thread. Slide ceiling arm box (A) and fiber washer (F) onto end of support pipe (C). Thread retaining collar (D) onto threaded end of support pipe (C). Tighten - four or five complete turns. Slide ceiling arm box (A) down so that it is on top of retaining collar (D). Insert and tighten one M5 x .8 x 10 mm penta-pin screw (E) into retaining collar (D) as shown. Insert one M5 penta-pin screw (E) through the tab on the back of ceiling arm box (A). Use M5 penta-pin tool (I) to tighten screw just enough to stabilize support pipe (C).

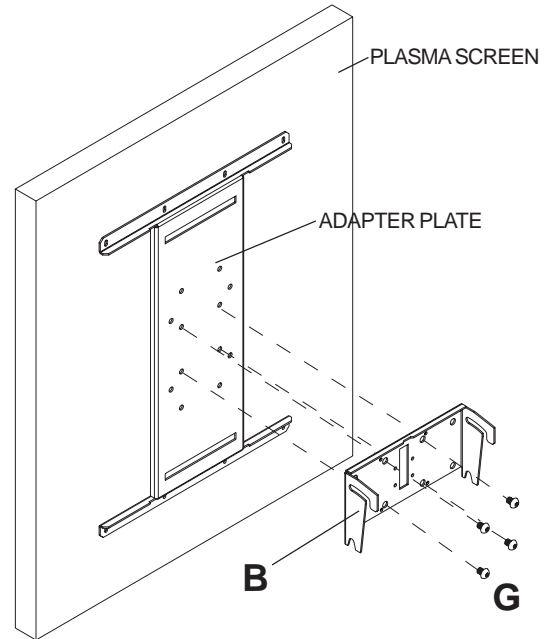
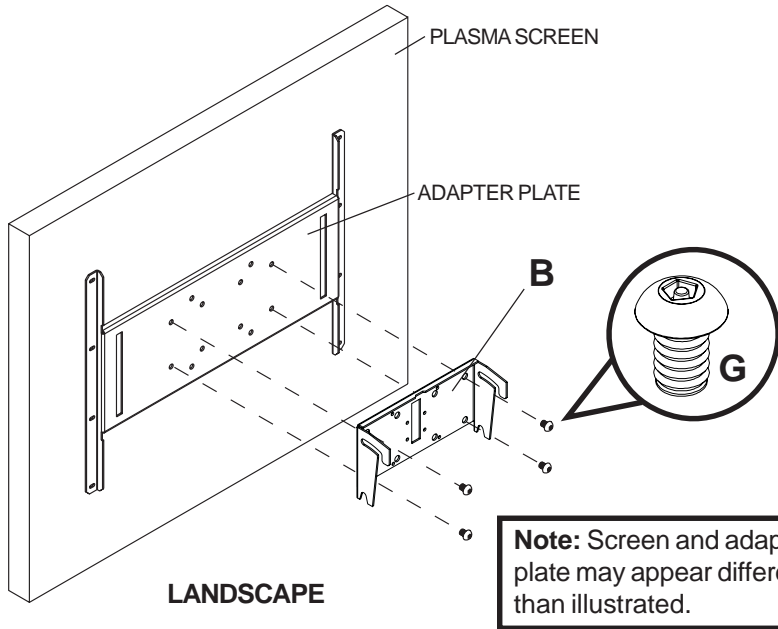
Note: UL Listed ADJ or EXT extension column series can be used in combination with, or in place of support pipe (C) to achieve different lengths.



Note: Refer to adapter plate instruction sheet (sold separately for model PLCM 1, not evaluated by UL) for attachment of adapter plate to plasma before proceeding with step 2.

2 For LCD screen adapter bracket, skip to step 2 on page 5.

Attach tilt bracket (**B**) to adapter plate using four M10 x 15 mm penta-pin screws (**G**) in accordance with appropriate drawing below. Tighten using M10 penta-pin tool (**H**).



3 Hang tilt bracket (**B**) onto ceiling arm box (**A**). Adjust tilt as desired and tighten four M10 x 1.5 x 15 mm penta-pin screws (**G**) securely using M10 penta-pin tool (**H**).

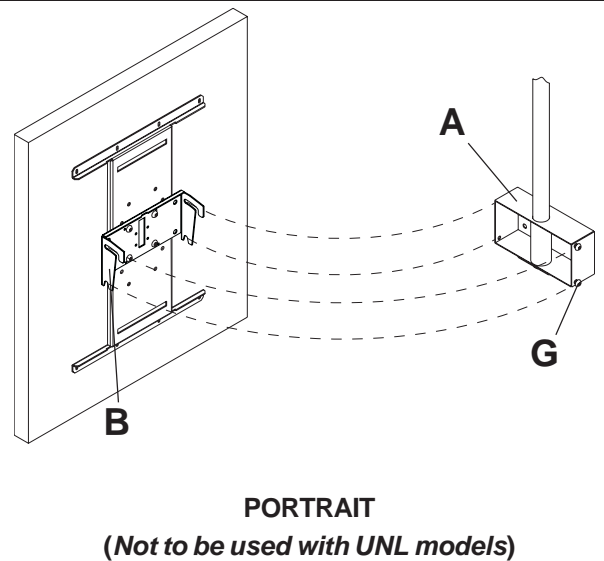
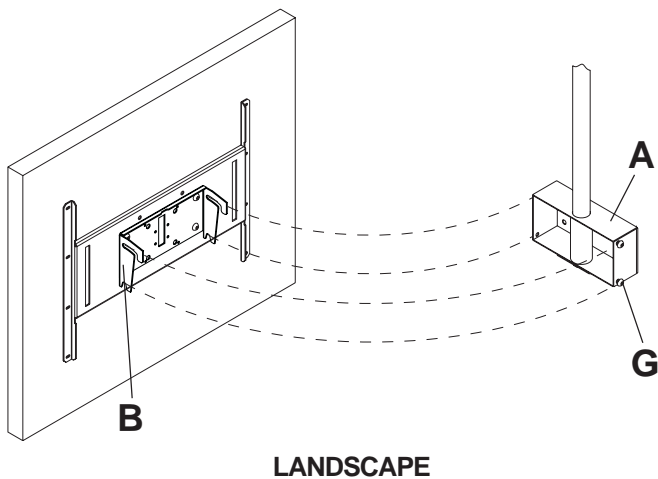
PORTRAIT
(Not to be used with UNL models)

⚠ WARNING

- For a safe assembly be sure to fully tighten four screws (**G**).

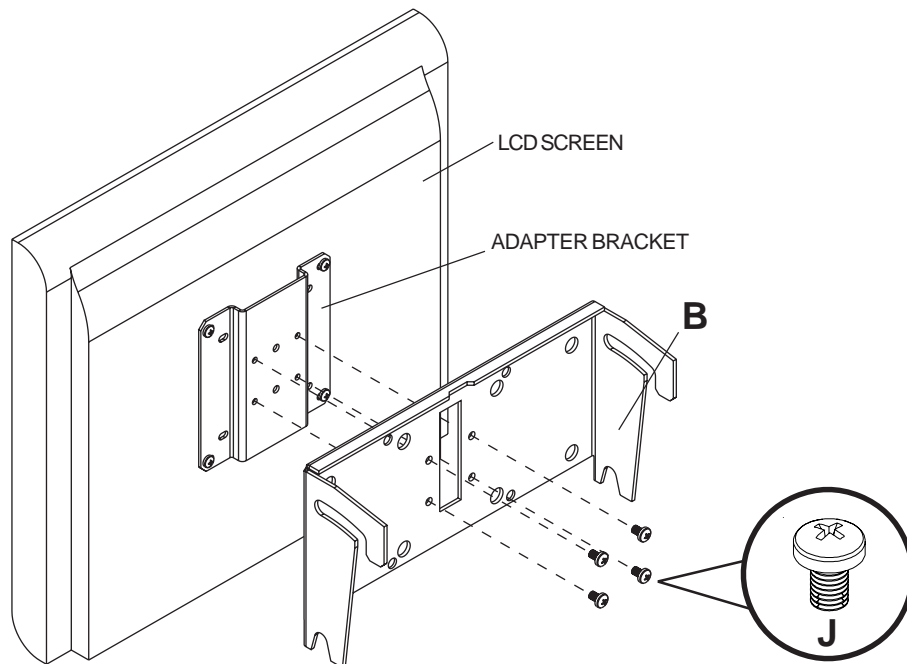
⚠ WARNING

- Do not mount PLCM-1 in portrait orientation. Mounting PLCM-1 in portrait orientation may result in product failure.



Note: Refer to adapter bracket instruction sheet (sold separately, not evaluated by UL) for attachment of adapter bracket to LCD screen before proceeding with step 2.

- 2** Attach tilt bracket (**B**) to adapter bracket using four M5 x 8 mm phillips screws (**J**).
Note: Do not use M5 x 6 mm screws that are included with the adapter bracket



Note: Screen and adapter plate may appear different than illustrated.

- 3** Hang tilt bracket (**B**) onto ceiling arm box (**A**). Adjust tilt as desired and tighten four M10 x 1.5 x 15 mm penta-pin screws (**G**) securely using M10 penta-pin tool (**H**).

⚠ WARNING

- For a safe assembly be sure to fully tighten four screws (**G**).

