

Installation and Assembly - Solid•Point™ Flat Panel Straight Column Ceiling Mount

Model: PLCM 1 CP,
PLCM UNL CP

Read instruction sheet before you start installation and assembly.

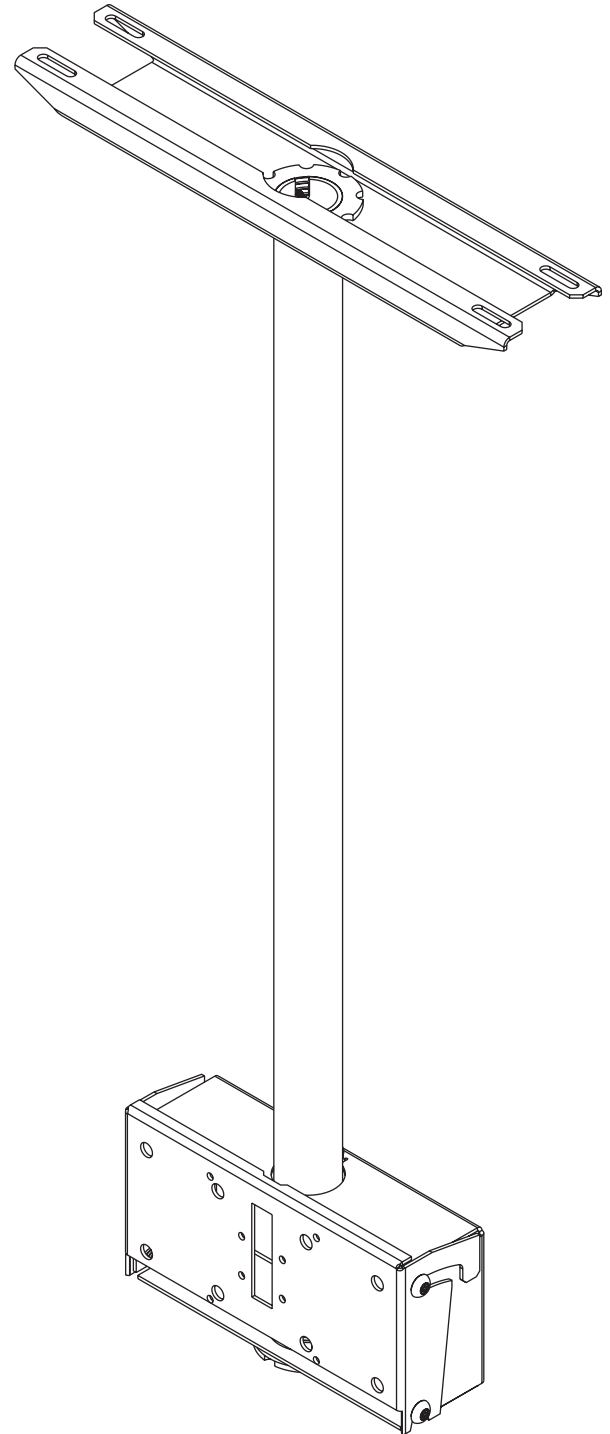


This product is intended for use with UL Listed products and must be installed by a qualified professional installer.

Model	Max. Load	Screen Size Range
PLCM UNL CP	200 lb. (90.7 kg.)	32" - 60"
PLCM 1 CP	225 lb. (102.3 kg.)	32" - 71"

⚠ WARNING

- Installer must verify that the ceiling will safely support the combined weight of all attached equipment and hardware.



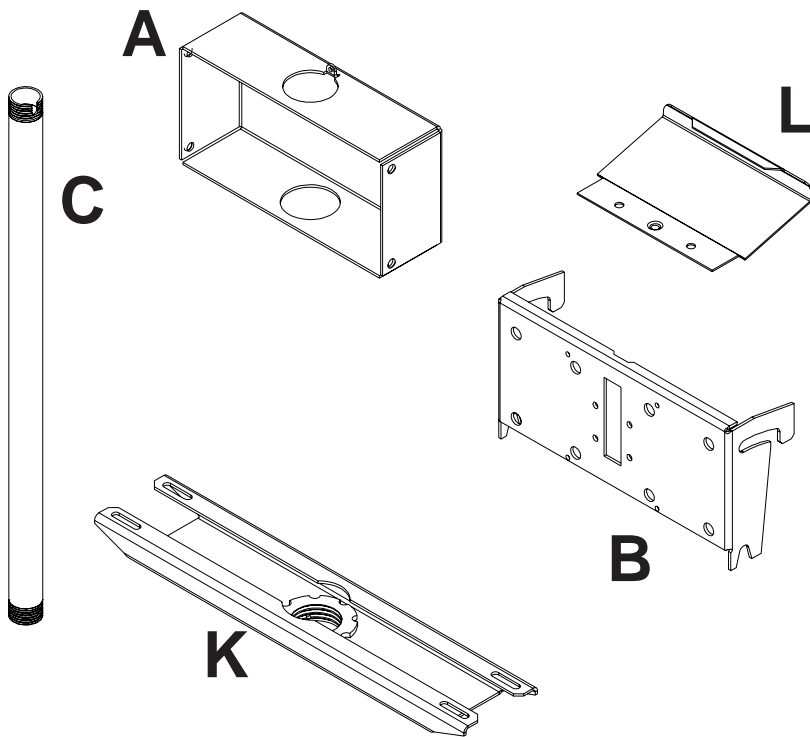
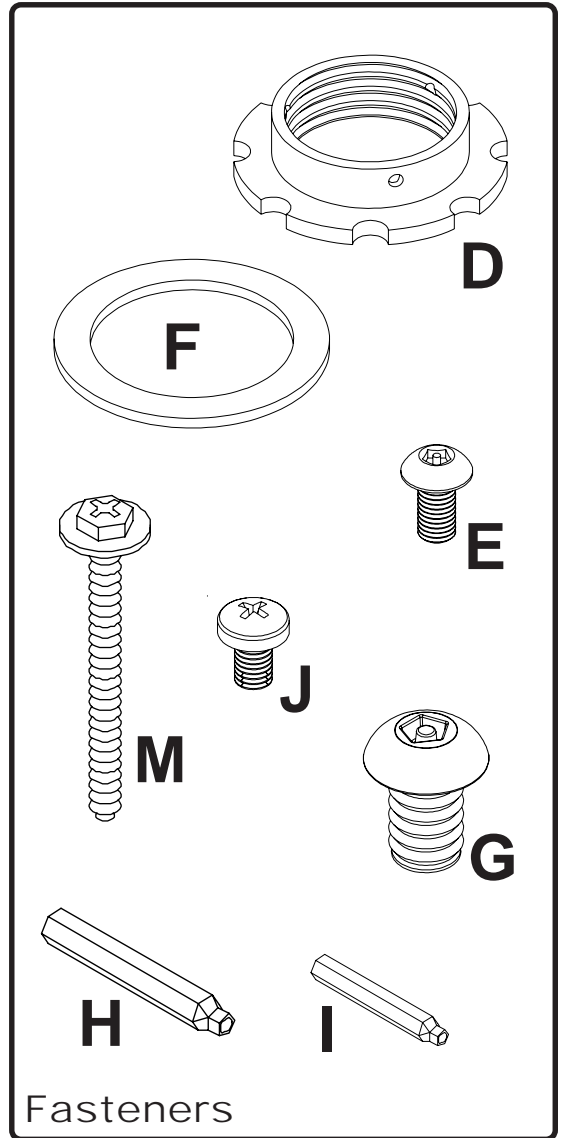
Note: Installation for 32" - 60" LCD and Flat Panel Screens for model PLCM UNL CP

Note: Installation for 32" - 71" LCD and Flat Panel Screens for model PLCM 1 CP

Before you begin, make sure all parts shown are included with your product.

PARTS LIST

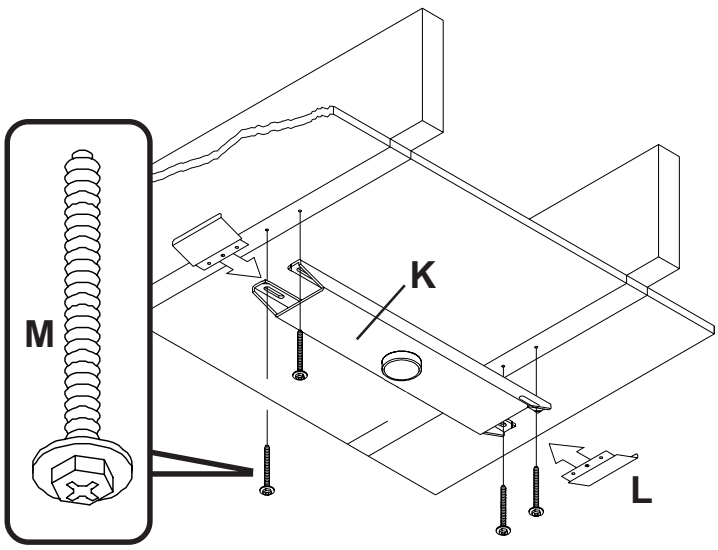
Description	Qty	Part #
A ceiling arm box	1	201-1062
B tilt bracket	1	200-1552
C 33" extension column	1	139-1088
D retaining collar	1	1800-375
E M5 x .8 x 10 mm penta-pin™ screw	5	505-9010
F 2.875 OD x 2.125 ID x .062 H fiber washer	1	540-9432
G M10 x 1.5 x 15 mm penta-pin screw	8	520-9263
H M10 x 2" penta-pin tool	1	520-9260
I M5 x 1" penta-pin tool	1	520-9249
J M5 x .8 x 8 mm phillips Type F screw	4	520-1167
K ceiling plate	1	128-1039
L ceiling plate end cap	2	2PT-22CA01D
M #14 x 2.5" hex head phillips wood screw	4	5S1-015-C03



Note: Some parts may not appear exactly as illustrated.

1

For Wood Joist Finished Ceiling, Exposed Wood Joists, or Wood Beam Ceiling. Drill four 5/32" (4 mm) dia. holes to a minimum depth of 2.5"(64 mm) **INTO JOIST CENTERS**. Attach ceiling plate (**K**) with four #14 x 2.5" (6 mm x 65 mm) wood screws (**M**) using a 3/8"(10 mm) socket wrench. Tighten wood screws (**M**) so ceiling plate is firmly attached. Snap end caps (**L**) into place.

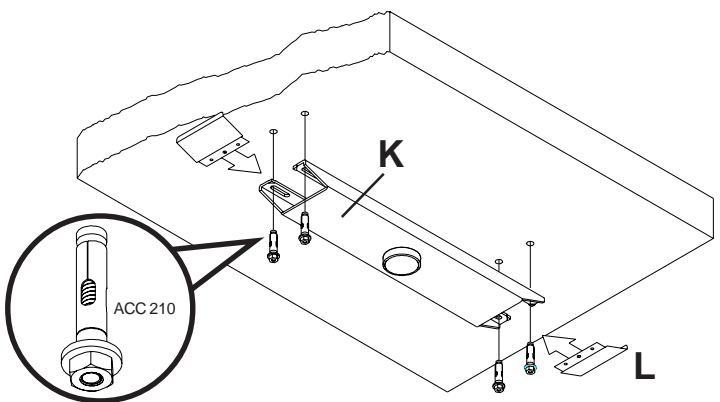


WARNING

- Tighten wood screws so that ceiling plate is firmly attached, but do not overtighten. Overtightening can damage screws, greatly reducing their holding power.
- Never tighten in excess of 80 in • lb (9 N.M.).
- Make sure that mounting screws are anchored into the center of the joists. The use of an "edge to edge" stud finder is highly recommended.

1

For Concrete Ceilings drill four 5/16"(8 mm) dia. holes to a minimum depth of 1 3/4" (45 mm). Attach ceiling plate (**K**) using concrete expansion anchors as shown in 1-1 and 1-2. Then snap end caps (**L**) into place.

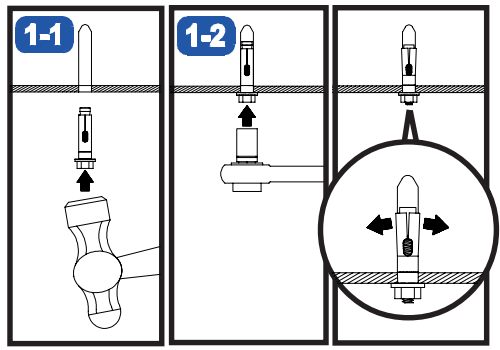


1-1

Align hole in ceiling plate with hole in ceiling. Gently hammer in concrete anchor.

1-2

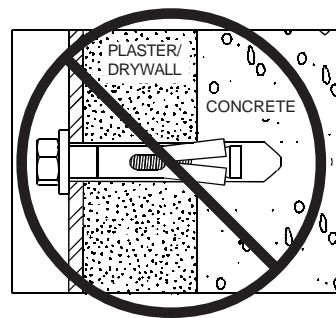
Use a 10 mm wrench to tighten concrete anchor to 80 in • lb (9 N.M.) maximum torque to expand anchors.



FOR PRODUCT SAFETY USE ONLY RAWL™ #5005 OR HILTI™ HL814 CONCRETE ANCHORS. Order accessory kit #ACC 210 which contains four .312 x 1.625 (8 mm x 41 mm) concrete expansion anchors.

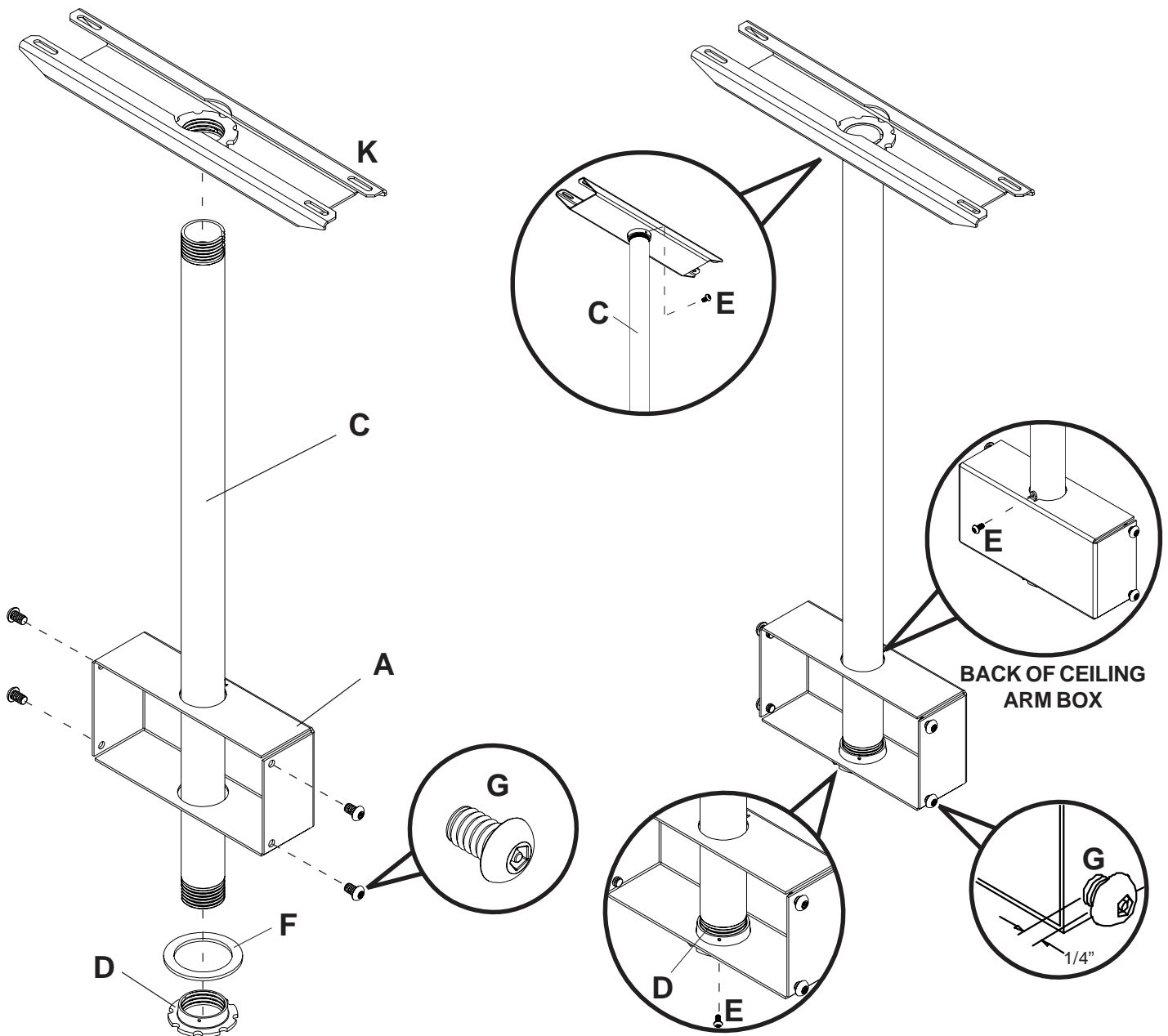
WARNING

- Always attach concrete expansion anchors directly to load-bearing concrete.
- Never attach concrete expansion anchors to concrete covered with plaster, drywall, or other finishing material.



2

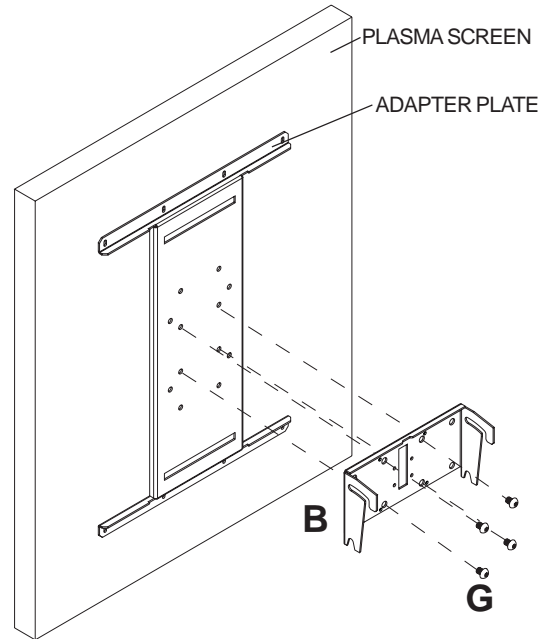
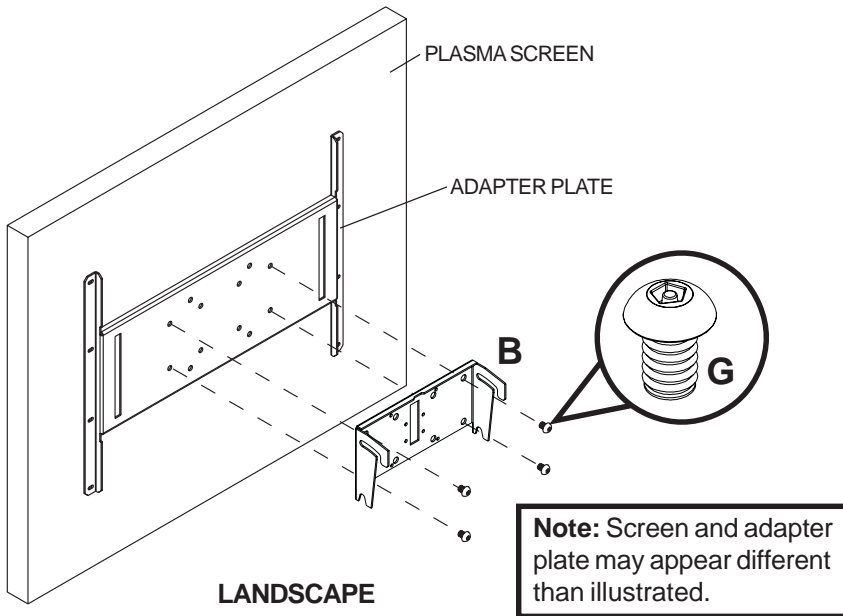
Thread support pipe (C) into threaded fitting in ceiling plate (K). Tighten - four or five complete turns - leaving slot aligned with one small hole in the side of the ceiling plate threaded fitting. Insert and tighten one M5 x .8 x 10 mm penta-pin screw (E) as shown. Use the M5 penta-pin tool (I) to tighten screw. BY HAND, insert four M10 x 1.5 x 15 mm penta-pin screws (G) into threaded holes in the sides of ceiling arm box (A). Leave approximately 1/4" of exposed thread. Slide ceiling arm box (A) and fiber washer (F) onto end of support pipe (C). Thread retaining collar (D) onto threaded end of support pipe (C). Tighten - four or five complete turns. Slide ceiling arm box (A) down so that it is on top of retaining collar (D). Insert and tighten one M5 x .8 x 10 mm penta-pin screw (E) into retaining collar (D) as shown. Insert one M5 penta-pin screw (E) through the tab on the back of ceiling arm box (A). Use M5 penta-pin tool (I) to tighten screw just enough to stabilize support pipe (C).



Note: Refer to adapter plate instruction sheet (sold separately) for attachment of adapter plate to plasma before proceeding with step 3.

3 For LCD screen adapter bracket, skip to step 3 on page 6.

Attach tilt bracket (B) to adapter plate using four M10 x 15 mm penta-pin screws (G) in accordance with appropriate drawing below. Tighten using M10 penta-pin tool (H).



4 Hang tilt bracket (B) onto ceiling arm box (A). Adjust tilt as desired and tighten four M10 x 1.5 x 15 mm penta-pin screws (G) securely using M10 penta-pin tool (H).

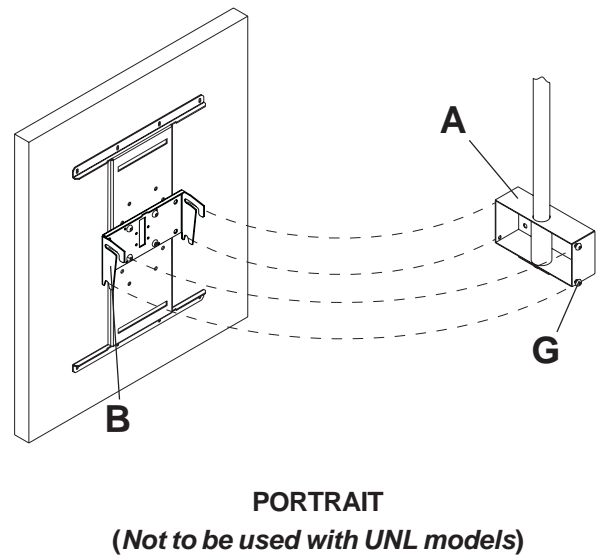
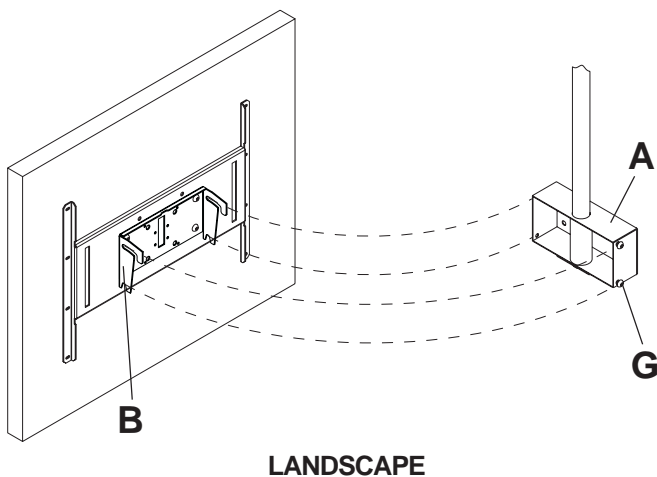
PORTRAIT
(Not to be used with UNL models)

WARNING

- For a safe assembly be sure to fully tighten four screws (G).

WARNING

- Do not mount PLCM UNL-CP in portrait orientation. Mounting PLCM UNL-CP in portrait orientation may result in product failure.

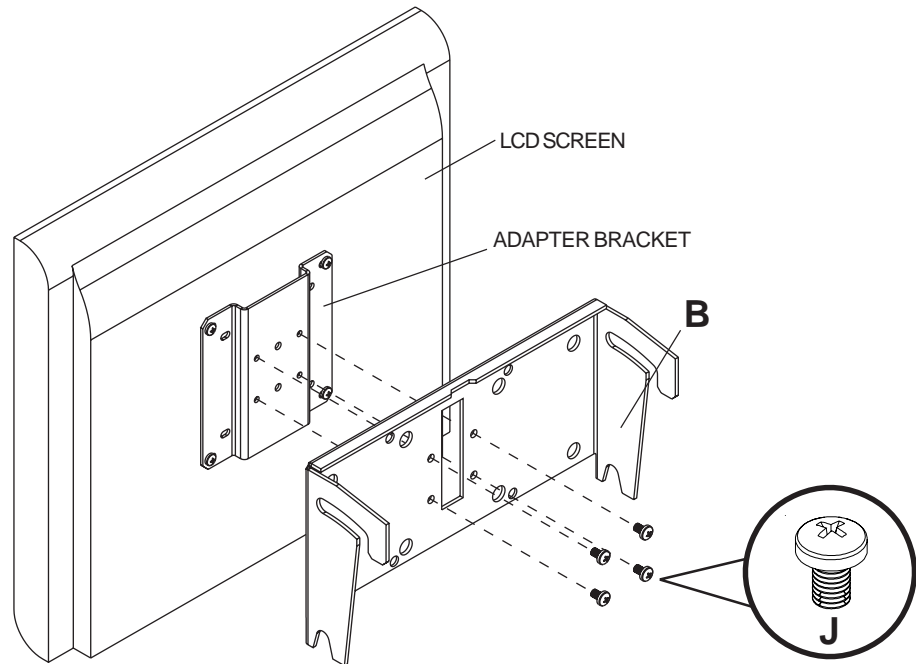


Note: Refer to adapter bracket instruction sheet (sold separately, not evaluated by UL) for attachment of adapter bracket to LCD screen before proceeding with step 3.

3

Attach tilt bracket (**B**) to adapter bracket using four M5 x 8 mm phillips screws (**J**).

Note: Do not use M5 x 6 mm screws that are included with the adapter bracket



Note: Screen and adapter plate may appear different than illustrated.

4

Hang tilt bracket (**B**) onto ceiling arm box (**A**). Adjust tilt as desired and tighten four M10 x 1.5 x 15 mm penta-pin screws (**G**) securely using M10 penta-pin tool (**H**).

⚠ WARNING

- For a safe assembly be sure to fully tighten four screws (**G**).

