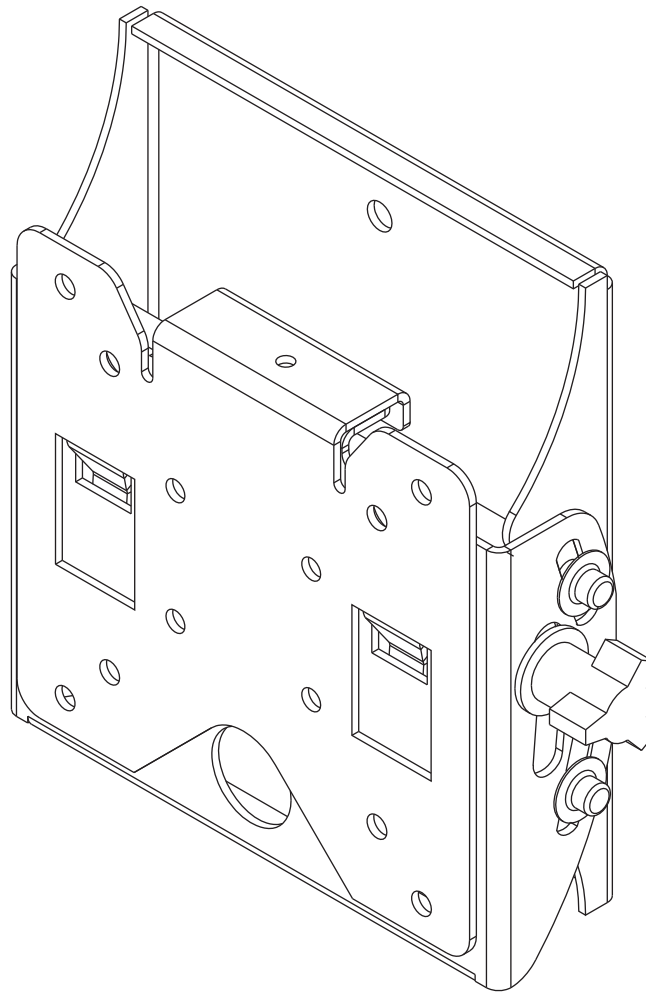


Installation and Assembly:
SmartMount™ Universal Tilt Wall Mount for 10" - 24"
(25 - 61 cm) Flat Panel Displays

Models: ST630P, ST630P-S, ST630, ST630-S



Features:

- Fits 10" to 24" flat panel displays
- Effortless positioning and adjustment of the display



This product is intended for use with UL Listed products and must be installed by a qualified professional installer.

Max UL Load Capacity: 80 lb (36.3 kg)

Note: Read entire instruction sheet before you start installation and assembly.

WARNING

- Do not begin to install your Peerless product until you have read and understood the instructions and warnings contained in this Installation Sheet. If you have any questions regarding any of the instructions or warnings, please call Peerless customer care at 1-800-865-2112.
- This product should only be installed by a qualified professional.
- Make sure that the wall will safely support the combined load of the equipment and all attached hardware and components.
- Never exceed the Maximum UL Load Capacity of 80 lb (36.3 kg).
- If mounting to wood wall studs, make sure that mounting screws are anchored into the center of the studs. Use of an "edge to edge" stud finder is highly recommended.
- Always use an assistant or mechanical lifting equipment to safely lift and position equipment.
- Tighten screws firmly, but do not overtighten. Overtightening can damage the items, greatly reducing their holding power.

Tools Needed for Assembly

- stud finder ("edge to edge" stud finder is recommended)
- phillips screwdriver
- drill
- 1/4" bit for concrete and cinder block wall
- 1/2" bit for metal stud wall
- 5/32" bit for metal or wood stud wall
- level

Accessories

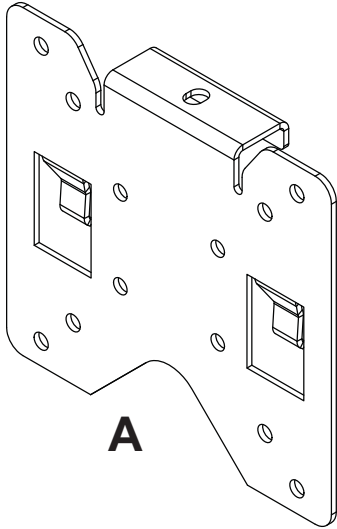
- Metal Stud Fastener Kit (ACC215) (Not evaluated by UL)
- Video Conferencing Shelf (ACC309) (Not evaluated by UL)
- Accessory Shelves (PM600, PM610) (Not evaluated by UL)

Table of Contents

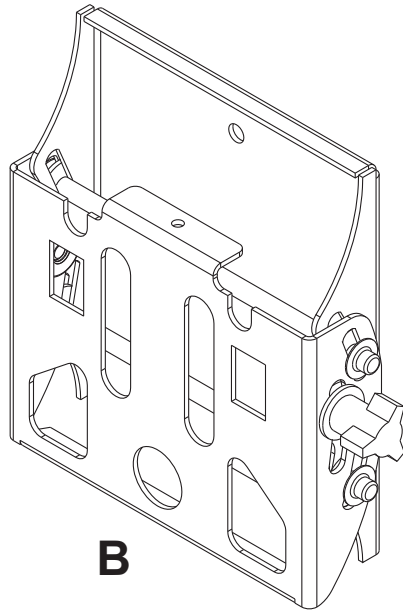
| | |
|---|---|
| Parts List..... | 3 |
| Installation to Single Wood Stud Wall..... | 4 |
| Installation to Solid Concrete or Cinder Block..... | 5 |
| Attaching Adapter Plate to Flat Panel Display..... | 6 |
| Installing and Removing Flat Panel Display..... | 7 |
| Adjusting the Tilt Angle of the Flat Panel Display..... | 7 |

Parts List

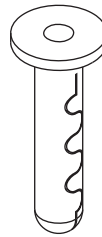
| Description | Qty | ST630P | ST630P-S | ST630 | ST630-S |
|---|-----|-------------|-------------|-------------|-------------|
| | | Part # | Part # | Part # | Part # |
| A adapter plate | 1 | 095-1346 | 095-4346 | 095-1346 | 095-4346 |
| B tilt assembly | 1 | 095-0359 | 095-0360 | 095-0359 | 095-0360 |
| C Alligator® anchor | 2 | 590-0097 | 590-0097 | 590-0097 | 590-0097 |
| D M4 x 10mm phillips screw | 4 | 504-9012 | 504-9012 | 504-9012 | 504-9012 |
| E M4 x 20mm phillips screw | 4 | 504-9020 | 504-9020 | 504-9020 | 504-9020 |
| F retaining spacer | 4 | 590-5005 | 590-5005 | 590-5005 | 590-5005 |
| G #14 x 2-1/2" hex head wood screw | 2 | 5S1-015-C03 | 5S1-015-C03 | 5S1-015-C03 | 5S1-015-C03 |
| H M5 x 6mm screw | 1 | 520-1023 | 520-1023 | 520-1114 | 520-1114 |
| I security driver | 1 | - | - | 560-1133 | 560-1133 |



A



B



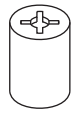
C



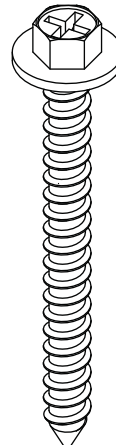
D



E



F



G



H



I

Installation to Single Wood Stud Wall

⚠ WARNING

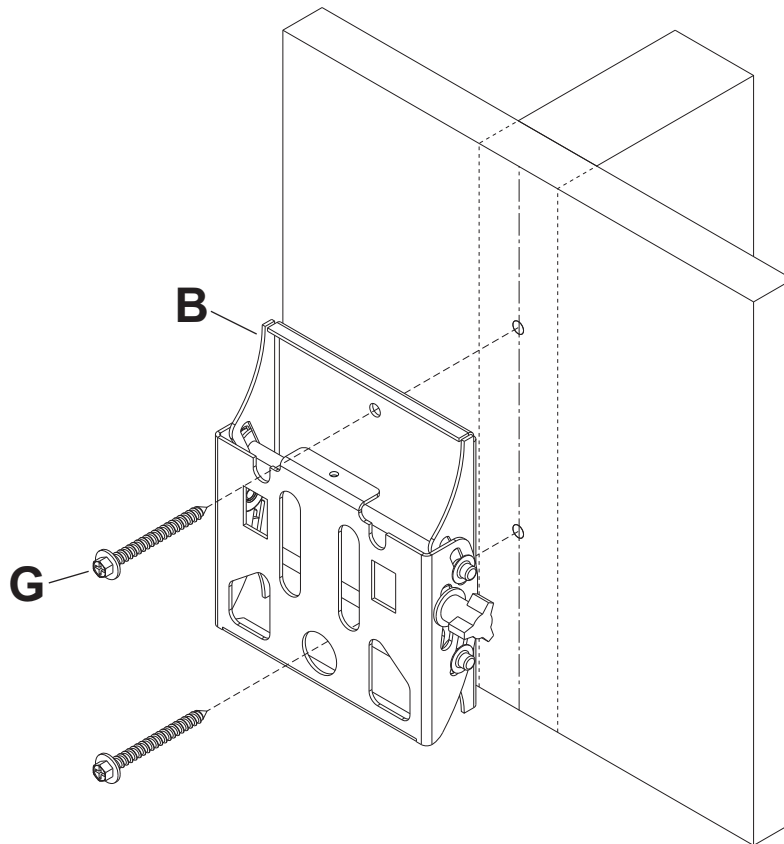
- Make sure that the wall will safely support the combined load of the equipment and all attached hardware and components.

- 1 Use a stud finder to locate the edges of the stud. Use of an edge-to-edge stud finder is highly recommended. Based on its edges, draw a vertical line down the stud's center. Place tilt assembly (**B**) on wall as a template, making sure that the two mounting holes are over the stud centerline. Level tilt assembly, and mark the center of the two holes. Drill two 5/32" (4mm) dia. holes 2-1/2" (65mm) deep. Make sure that the tilt assembly is level, secure it using two #14 x 2-1/2" wood screws (**G**) as shown.

Skip to step 2 on page 6.

⚠ WARNING

- Tighten wood screws so that tilt assembly is firmly attached, but do not overtighten. Overtightening can damage the screws, greatly reducing their holding power.
- Never tighten in excess of 80 in. • lb (9 N.M.).
- Make sure that mounting screws are anchored into the center of the stud. The use of an "edge to edge" stud finder is highly recommended.
- Hardware provided is for attachment of mount through standard thickness drywall or plaster into wood studs. Installers are responsible to provide hardware for other types of mounting situations. (Not evaluated by UL)



Installation to Solid Concrete or Cinder Block

⚠ WARNING

- When installing Peerless wall mounts on cinder block, verify that you have a minimum of 1-3/8" of actual concrete thickness in the hole to be used for the concrete anchors. Do not drill into mortar joints! Be sure to mount in a solid part of the block, generally 1" minimum from the side of the block. Cinder block must meet ASTM C-90 specifications. It is suggested that a standard electric drill on slow setting is used to drill the hole instead of a hammer drill to avoid breaking out the back of the hole when entering a void or cavity.
- Concrete must be 2000 psi density minimum. Lighter density concrete may not hold concrete anchor.
- Make sure that the wall will safely support the combined load of the equipment and all attached hardware and components.

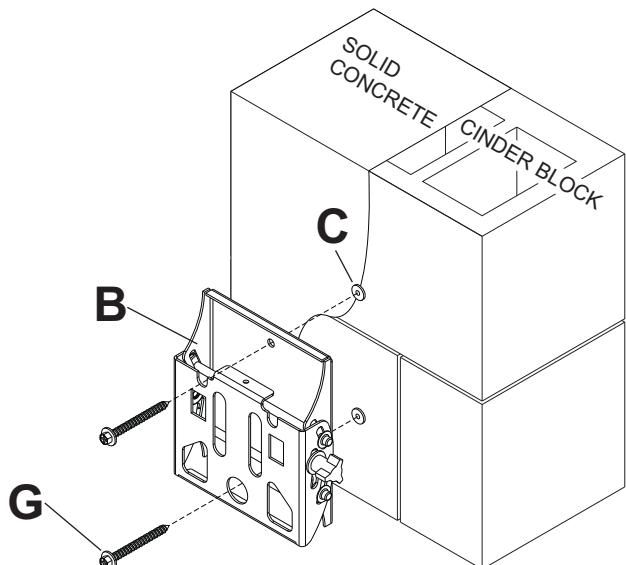
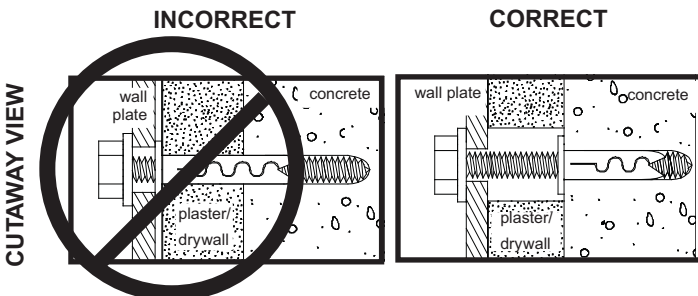
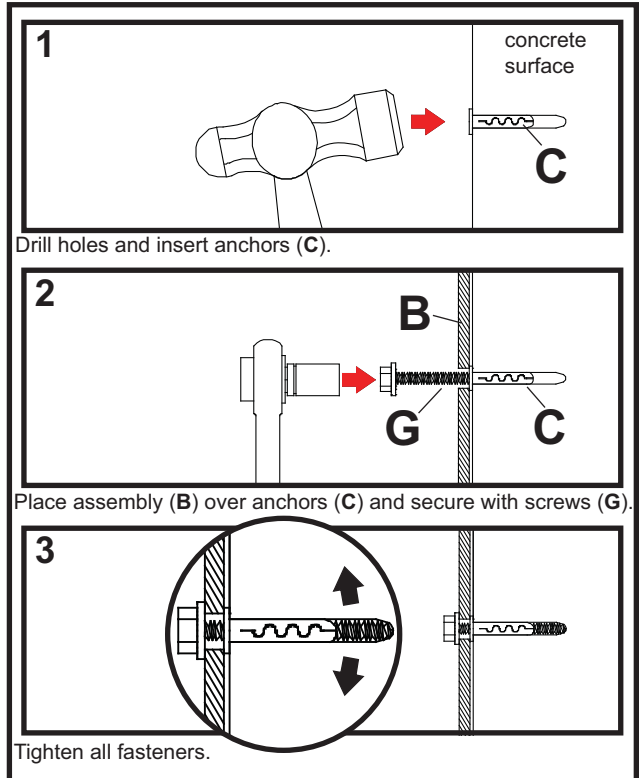
- 1** Make sure that tilt assembly (B) is level, use it as a template to mark two mounting holes. Drill two 1/4" (6mm) dia. holes to a minimum depth of 2-1/2" (64mm). Insert anchors (C) in holes flush with wall as shown (right). Place tilt assembly over anchors and secure with two #14 x 2-1/2" screws (G). Level, then tighten all fasteners.

⚠ WARNING

- Tighten screws so that wall plate is firmly attached, but do not overtighten. Overtightening can damage screws, greatly reducing their holding power.
- Never tighten in excess of 80 in. • lb (9 N.M.).

⚠ WARNING

- Always attach concrete expansion anchors directly to load-bearing concrete.
- Never attach concrete expansion anchors to concrete covered with plaster, drywall, or other finishing material. If mounting to concrete surfaces covered with a finishing surface is unavoidable, the finishing surface must be counterbored as shown below. Be sure concrete anchors do not pull away from concrete when tightening screws. If plaster/drywall is thicker than 5/8", custom fasteners must be supplied by installer. (Not evaluated by UL)



Attaching Adapter Plate to Flat Panel Display

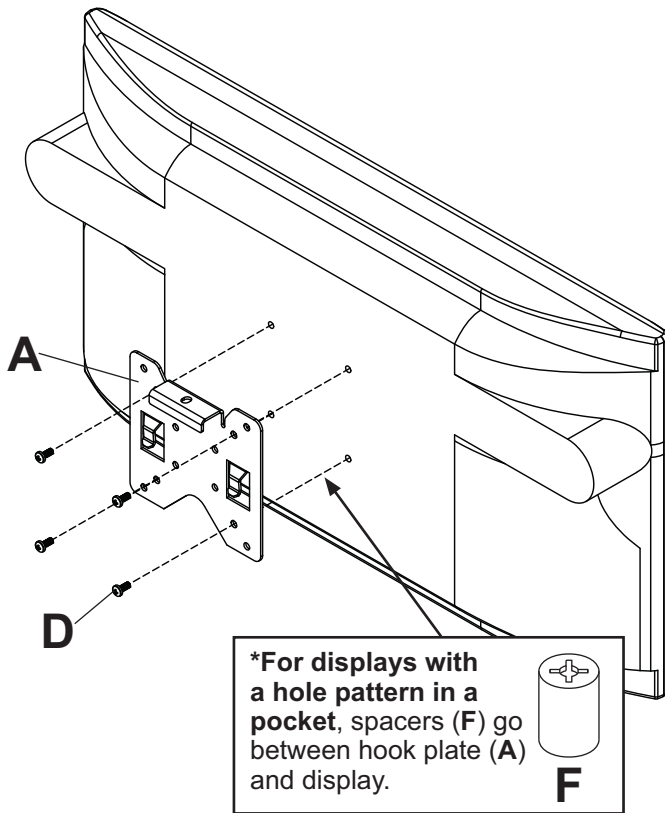
⚠ WARNING

- If screws don't get three complete turns in the display inserts or if screws bottom out and bracket is still not tightly secured, damage may occur to display or product may fail.

2 FOR VESA® 75 MOUNTING PATTERN:

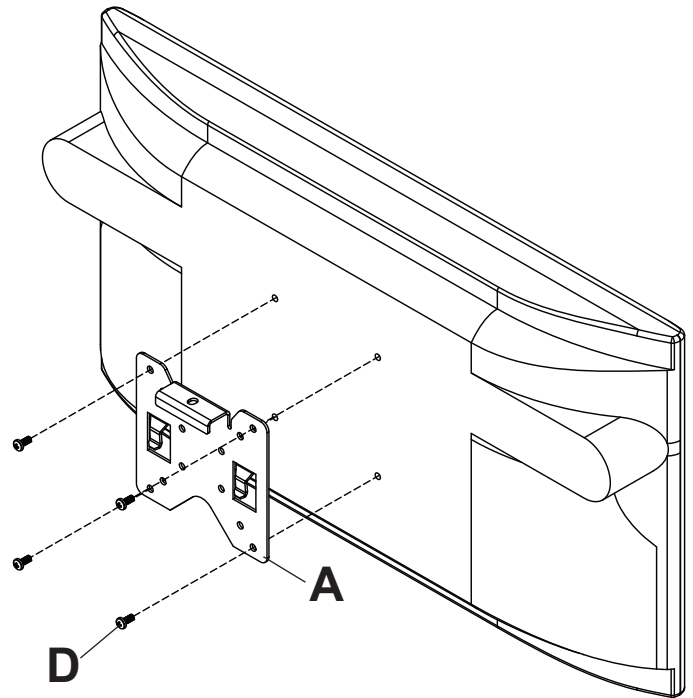
Choose hole pattern as shown below. Attach hook plate (A) to back of display using four M4 x 10mm screws (D) as shown below.

***Note:** If hole pattern is in a pocket, attach hook plate (A) to back of display using four M4 x 20mm screws (E) and four retaining spacers (F) as indicated below.



FOR VESA® 100 MOUNTING PATTERN:

Choose hole pattern as shown below. Attach hook plate (A) to back of display using four M4 x 10mm screws (D) as shown below.



Installing and Removing Flat Panel Display

- 3** Attach display to tilt assembly (**B**). Tighten M5 x 6mm screw (**H**) to lock display to tilt assembly.

Note: For security models, use security driver (**I**) to tighten M5 x 6mm screws (**H**).

To remove display from mount, loosen screw (**H**) and lift display off of mount.

⚠ WARNING

- Do not lift more weight than you can handle. Use additional man power or mechanical lifting equipment to safely handle placement of the display.
- Failure to lock hook plate (**A**) with screw (**H**) can cause display to come off mount if hit accidentally.
- Do not tighten screws with excessive force. Overtightening can cause damage to mount. Tighten screws to 20 in. • lb (2.26 N.M.) maximum torque.

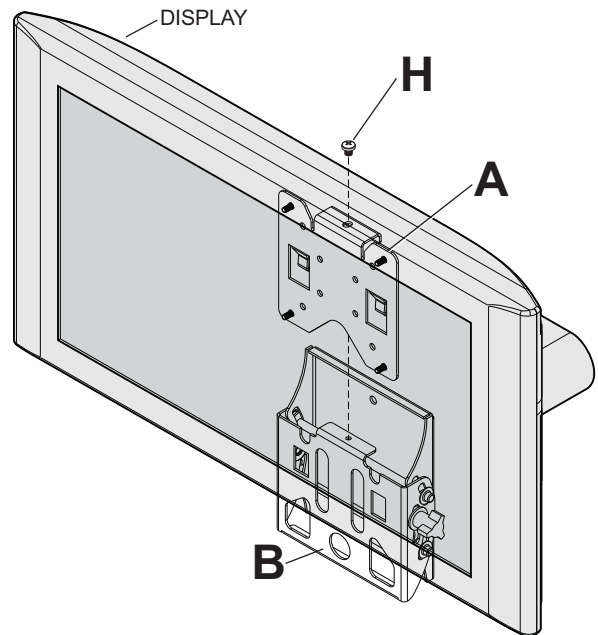


fig. 3.1

- 4** Adjust tension knob on right side of mount shown in figure 4.1 to desired tension to balance your display size and weight.

Push or pull from top or bottom of display to adjust tilt as shown in figure 4.1. The tilt can be adjusted to a maximum of 15° forward or 5° backward.

CAUTION

- Do not tighten screws with excessive force. Overtightening can cause damage to mount. Tighten screws to 40 in. • lb (4.5 N.M.) maximum torque.
- Be careful not to pinch fingers when pushing display from the bottom.

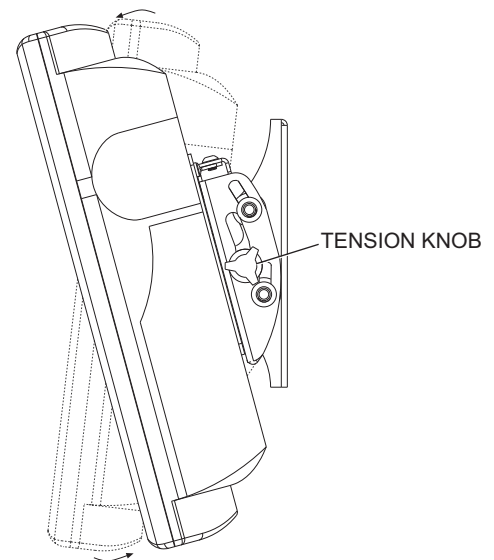


fig. 4.1