

PSTA-028(-W)
PSTK-028(-W)

Short Throw Projector Mounting Solution

For ultra-short throw projectors up to 50 lb (22 Kg)

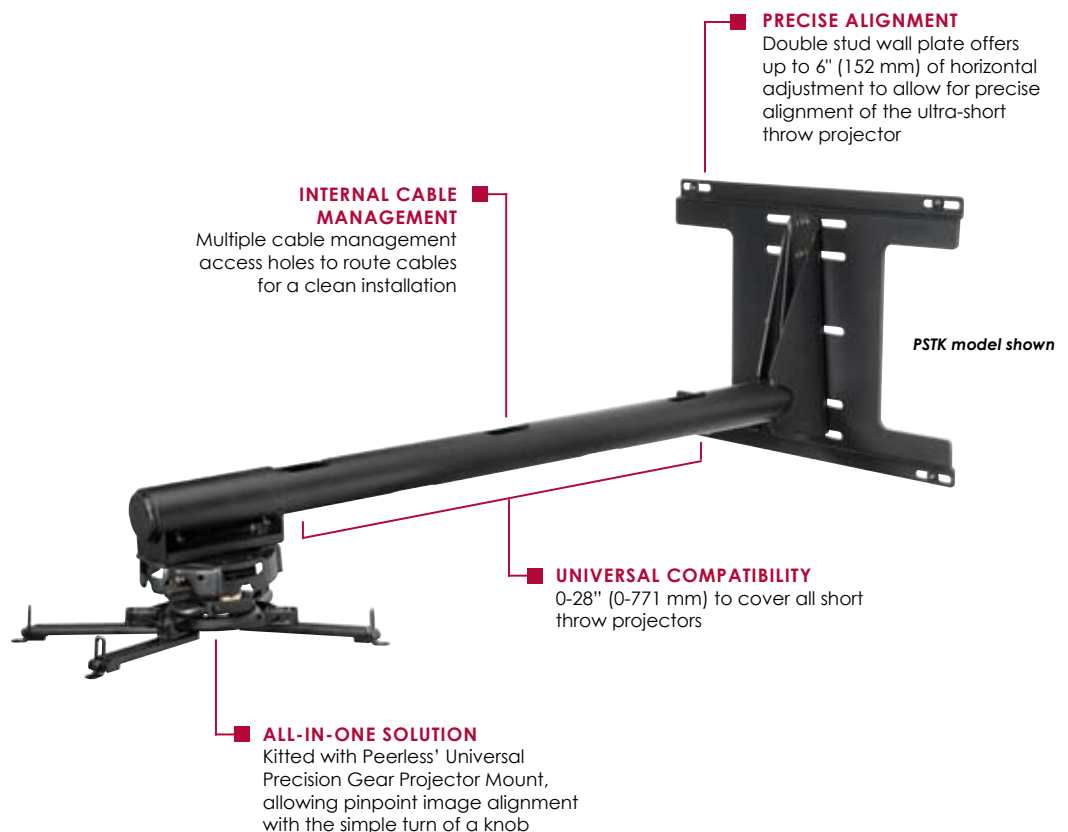
This Universal Ultra-Short Throw Projector Mount (PSTK models) provides flexibility to install to a single stud or a double stud application and gives up to 6" (152 mm) of lateral adjustment for perfect projector placement any time. In addition, the universal sliding carriage design of the arm is easily adjustable to accommodate ultra-short throw projector distance requirements. Complementary to the universal design of the ultra-short throw projector arm, this comprehensive package comes with Peerless' Universal Precision Gear Projector Mount that makes image alignment as easy as a simple turn of a knob. Tying the installation together is its internal cable management system that is the oasis of a clean clutter-free installation. Peerless delivers a comprehensive solution in one package for any ultra-short throw projector installation.



Max load: 50 lb (22 Kg)

FEATURES

- Sliding carriage design allows projector mount to glide into place at any location on the short throw arm
- Access slots allow for all internal cable management
- Double stud wall plate allows for 6" (152 mm) of lateral adjustment for precise alignment of the ultra-short throw projector
- Pre-installed security screws lockdown short throw arm and prevent tampering
- Kitted with Peerless' Universal Precision Gear Projector Mount (PRG-UNV), patent-pending precision gears that provide exact projector image alignment
- Specifications:
Tilt: $\pm 20^\circ$
Roll: $\pm 10^\circ$
Swivel: $\pm 15^\circ$



Post-installation lateral adjustment for optimal arm alignment



Cable management access holes provide internal cable management



RoHS
2002/95/EC

CLICK: www.peerlessmounts.com

CALL: 800.865.2112

FAX: 708.865.2941

peerless®

Model Numbers

WARRANTY: Limited 5-year

PSTA-028	Ultra-short throw projector arm (Includes PRG-UNV) for projectors weighing up to 50 lb (22 Kg)
PSTK-028	Ultra-short throw projector kit (Includes PRG-UNV and wall plate) for projectors weighing up to 50 lb (22 Kg)
PSTA-028-W	Ultra-short throw projector arm (Includes PRG-UNV) for projectors weighing up to 50 lb (22 Kg)
PSTK-028-W	Ultra-short throw projector kit (Includes PRG-UNV and wall plate) for projectors weighing up to 50 lb (22 Kg)

Product Specifications

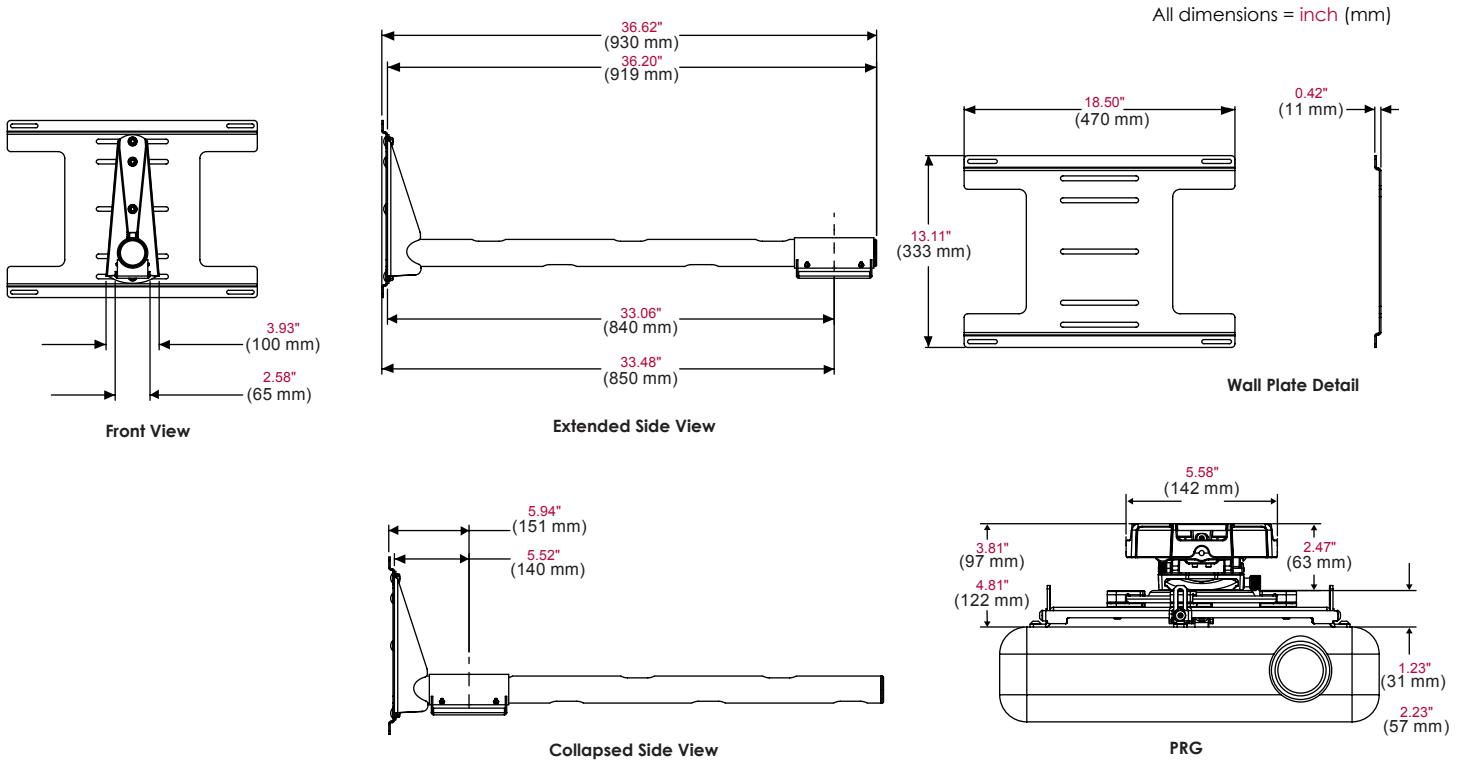
	DIMENSIONS (W x H x D)	PRODUCT WEIGHT	LOAD CAPACITY	FINISH	AVAILABLE COLORS
PSTA-028	3.93" x 11" x 36.20" (100 x 279 x 919 mm)	11 lb (4 Kg)	50 lb (22 Kg)	Scratch-resistant fused epoxy	Black and White
PSTK-028	18.50" x 13.11" x 36.62" (470 x 333 x 930 mm)	16 lb (7 Kg)			
PSTA-028-W	3.93" x 11" x 36.20" (100 x 279 x 919 mm)	11 lb (4 Kg)			
PSTK-028-W	18.50" x 13.11" x 36.62" (470 x 333 x 930 mm)	16 lb (7 Kg)			

Package Specifications

	PACKAGE SIZE (W x H x D)	PACKAGE SHIP WEIGHT	PACKAGE UPC CODE	PACKAGE CONTENTS	UNITS IN PACKAGE
PSTA-028	17.13" x 4.75" x 45.75" (435 x 120 x 1162 mm)	12.24 lb (5.5 Kg)	735029262848	Short throw arm, PRG-UNV, double stud wall plate (PSTK model only) installation hardware, assembly instructions	1
PSTK-028		16.26 lb (7.3 Kg)	735029263043		
PSTA-028-W		12.24 lb (5.5 Kg)	735029262855		
PSTK-028-W		16.26 lb (7.3 Kg)	735029263050		

Accessories

WSP320	Metal Stud Wall Plate	ACC020	Projector Security Cable
---------------	-----------------------	---------------	--------------------------



ARCHITECTS SPECIFICATIONS

The Universal Projector Wall Arm shall be a Peerless model _____ and shall be located where indicated on the plans. It shall be constructed of heavy gauge cold rolled steel and feature scratch resistant white and black fused epoxy finish. Assembly and installation shall be done according to instructions provided by the manufacturer.