

PSTA-028(-W)
PSTK-028(-W)

Short Throw Projector Mounting Solution

For ultra-short throw projectors up to 50lb (22kg)

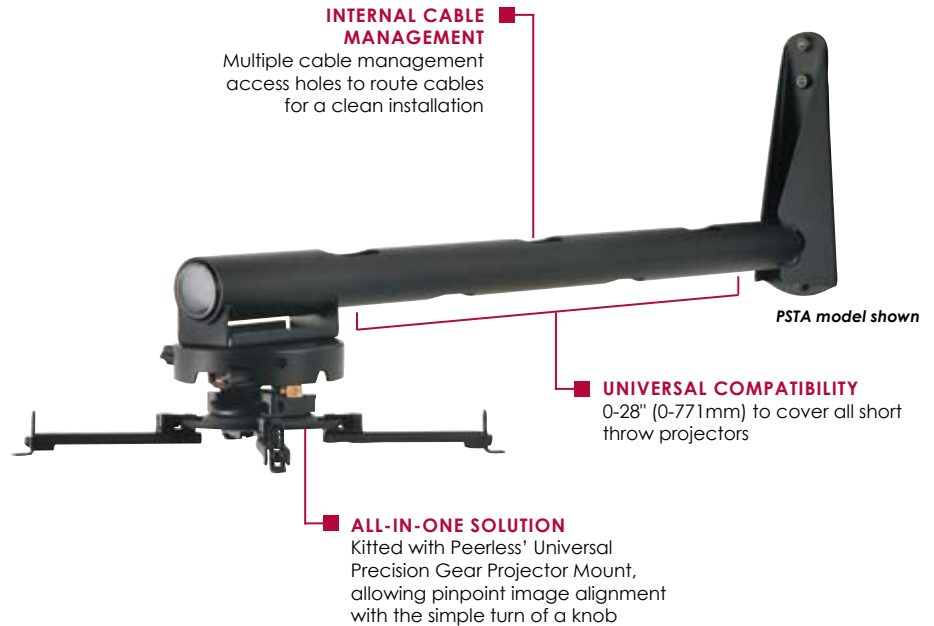
This Universal Ultra-Short Throw Projector Mount (PSTK models) provides flexibility to install to a single stud or a double stud application and gives up to 6" (152mm) of lateral adjustment for perfect projector placement any time. In addition, the universal sliding carriage design of the arm is easily adjustable to accommodate ultra-short throw projector distance requirements. Complementary to the universal design of the ultra-short throw projector arm, this comprehensive package comes with Peerless' Universal Precision Gear Projector Mount that makes image alignment as easy as a simple turn of a knob. Tying the installation together is its internal cable management system that is the oasis of a clean clutter-free installation. Peerless delivers a comprehensive solution in one package for any ultra-short throw projector installation.



Max load: 50lb (22kg)

FEATURES

- Sliding carriage design allows projector mount to glide into place at any location on the short throw arm
- Access slots allow for all internal cable management
- Pre-installed security screws lockdown short throw arm and prevent tampering
- Kitted with Peerless' Universal Precision Gear Projector Mount (PRG-UNV), patent-pending precision gears that provide exact projector image alignment
- Specifications:
Tilt: $\pm 20^\circ$
Roll: $\pm 10^\circ$
Swivel: $\pm 15^\circ$



Double stud wall plate allows for 6" (152mm) of lateral adjustment for precise alignment of the ultra-short throw projector, with PSTK model



Post-installation lateral adjustment for optimal arm alignment, with PSTK model



Cable management access holes provide internal cable management



RoHS
2002/95/EC

Model Numbers

PSTA-028	Ultra-short throw projector arm (Includes PRG-UNV) for projectors weighing up to 50lb (22kg)
PSTK-028	Ultra-short throw projector kit (Includes PRG-UNV and wall plate) for projectors weighing up to 50lb (22kg)
PSTA-028-W	Ultra-short throw projector arm (Includes PRG-UNV) for projectors weighing up to 50lb (22kg)
PSTK-028-W	Ultra-short throw projector kit (Includes PRG-UNV and wall plate) for projectors weighing up to 50lb (22kg)

Product Specifications

	DIMENSIONS (W x H x D)	PRODUCT WEIGHT	LOAD CAPACITY	FINISH	AVAILABLE COLORS
PSTA-028	3.93" x 11" x 36.20" (100 x 279 x 919mm)	11lb (4kg)	50 lb (22 Kg)	Scratch-resistant fused epoxy	Black and White
PSTK-028	18.50" x 13.11" x 36.62" (470 x 333 x 930mm)	16lb (7kg)			
PSTA-028-W	3.93" x 11" x 36.20" (100 x 279 x 919mm)	11lb (4kg)			
PSTK-028-W	18.50" x 13.11" x 36.62" (470 x 333 x 930mm)	16lb (7kg)			

Package Specifications

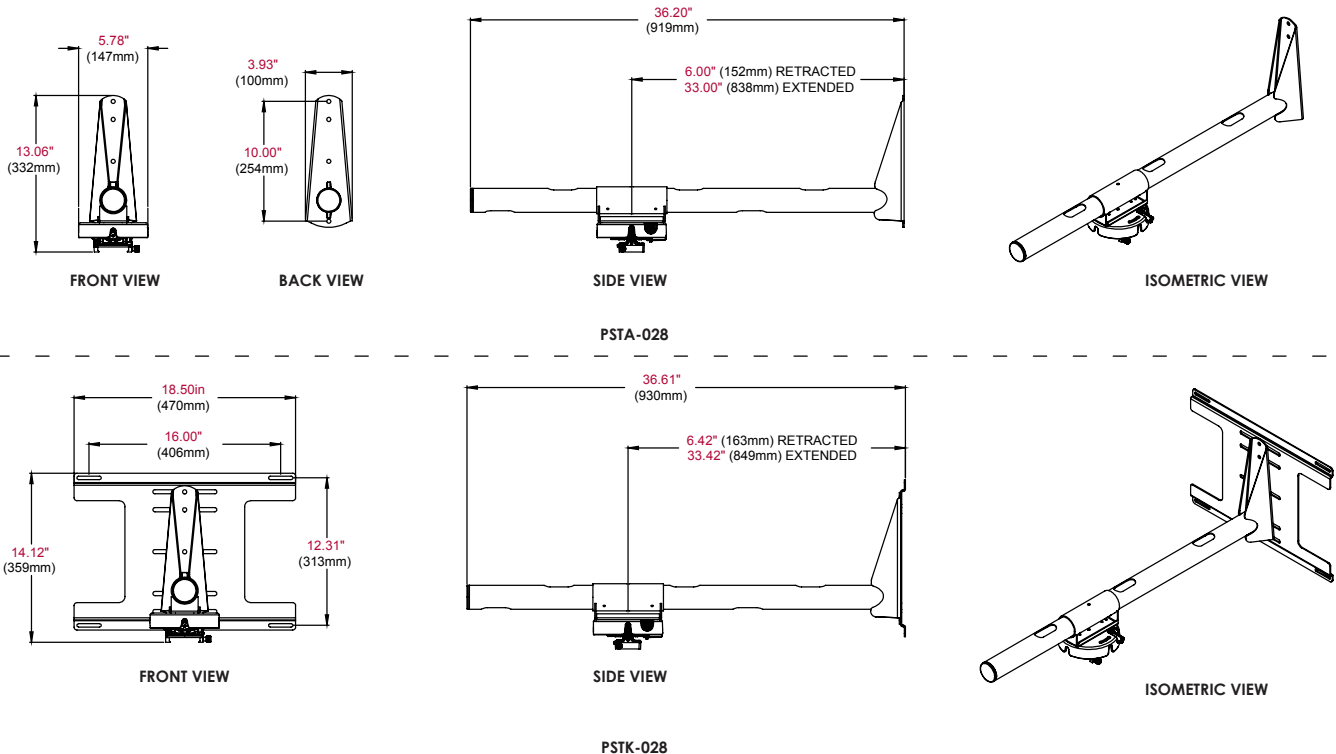
	PACKAGE SIZE (W x H x D)	PACKAGE SHIP WEIGHT	PACKAGE UPC CODE	PACKAGE CONTENTS	UNITS IN PACKAGE
PSTA-028	17.13" x 4.75" x 45.75" (435 x 120 x 1162mm)	12.24lb (5.5kg)	735029262848	Short throw arm, PRG-UNV, installation hardware, assembly instructions. PSTK Model also includes double stud wall plate.	1
PSTK-028		16.26lb (7.3kg)	735029263043		
PSTA-028-W		12.24lb (5.5kg)	735029262855		
PSTK-028-W		16.26lb (7.3kg)	735029263050		

Accessories

WBK100 Double Stud Wall Plate

ACC020 Projector Security Cable

All dimensions = inch (mm)



ARCHITECTS SPECIFICATIONS

The Universal Projector Wall Arm shall be a Peerless model PST%-028(-W) and shall be located where indicated on the plans. It shall be constructed of heavy gauge cold rolled steel and feature scratch resistant white and black fused epoxy finish. Assembly and installation shall be done according to instructions provided by the manufacturer.