

PSTA-2955(-W)
PSTK-2955(-W)

Short Throw Projector Mounting Solution

For short throw projectors up to 35 lb (15 Kg)

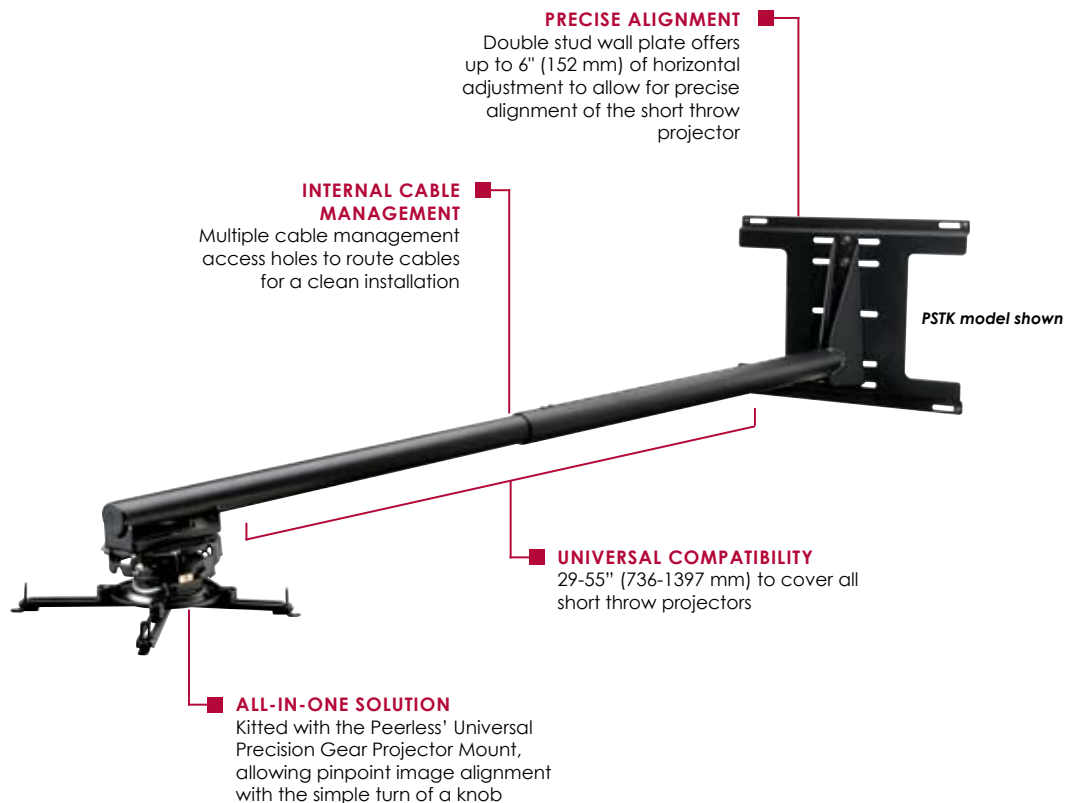
This Universal Short Throw Projector Mount (PSTK models) provides flexibility to install to a single stud or a double stud application and gives up to 6" (152 mm) of lateral adjustment for perfect projector placement any time. In addition, its universal telescoping arm is easily adjustable to accommodate short throw projector distance requirements. Complementary to the universal design of the short throw projector arm, this comprehensive package comes with Peerless' Universal Precision Gear Projector Mount that makes image alignment as easy as a simple turn of a knob. Tying the installation together is its internal cable management system that is the oasis of a clean clutter-free installation. Peerless delivers a comprehensive solution in one package for any short throw projector installation.



Max load: 35 lb (15 Kg)

FEATURES

- Telescoping arm design provides a large range of mounting options with convenient lockdown slots at every point
- Access slots allow for internal cable management
- Double stud wall plate allows for 6" (152 mm) of lateral adjustment for precise alignment of the short throw projector
- Pre-installed security screws lock down short throw arm and prevent tampering
- Kitted with Peerless' Universal Precision Gear Projector Mount (PRG-UNV), patent-pending precision gears that provide exact projector image alignment
- Specifications:
Tilt: $\pm 20^\circ$
Roll: $\pm 10^\circ$
Swivel: $\pm 15^\circ$



Pre-installed security hardware to eliminate tampering



Post-installation lateral adjustment for optimal arm alignment



Cable management access holes provide internal cable management



RoHS
2002/95/EC

CLICK: www.peerlessmounts.com

CALL: 800.865.2112

FAX: 708.865.2941

peerless[®]

Model Numbers

PSTA-2955	Short throw projector arm (Includes PRG-UNV) for projectors weighing up to 35 lb (15 Kg)
PSTK-2955	Short throw projector kit (Includes PRG-UNV and wall plate) for projectors weighing up to 35 lb (15 Kg)
PSTA-2955-W	Short throw projector arm (Includes PRG-UNV) for projectors weighing up to 35 lb (15 Kg)
PSTK-2955-W	Short throw projector kit (Includes PRG-UNV and wall plate) for projectors weighing up to 35 lb (15 Kg)

Product Specifications

	DIMENSIONS (W x H x D)	PRODUCT WEIGHT	LOAD CAPACITY	FINISH	AVAILABLE COLORS
PSTA-2955	3.93" x 11" x 40-65" (100 x 279 x 1026-1663 mm)	14 lb (6 Kg)	35 lb (15 Kg)	Scratch-resistant fused epoxy	Black and White
PSTK-2955	18.50" x 13.11" x 40.46-65.48" (470 x 333 x 1028-1669 mm)	18 lb (8 Kg)			
PSTA-2955-W	3.93" x 11" x 40-65" (100 x 279 x 1026-1663 mm)	14 lb (6 Kg)			
PSTK-2955-W	18.50" x 13.11" x 40.46-65.48" (470 x 333 x 1028-1669 mm)	18 lb (8 Kg)			

Package Specifications

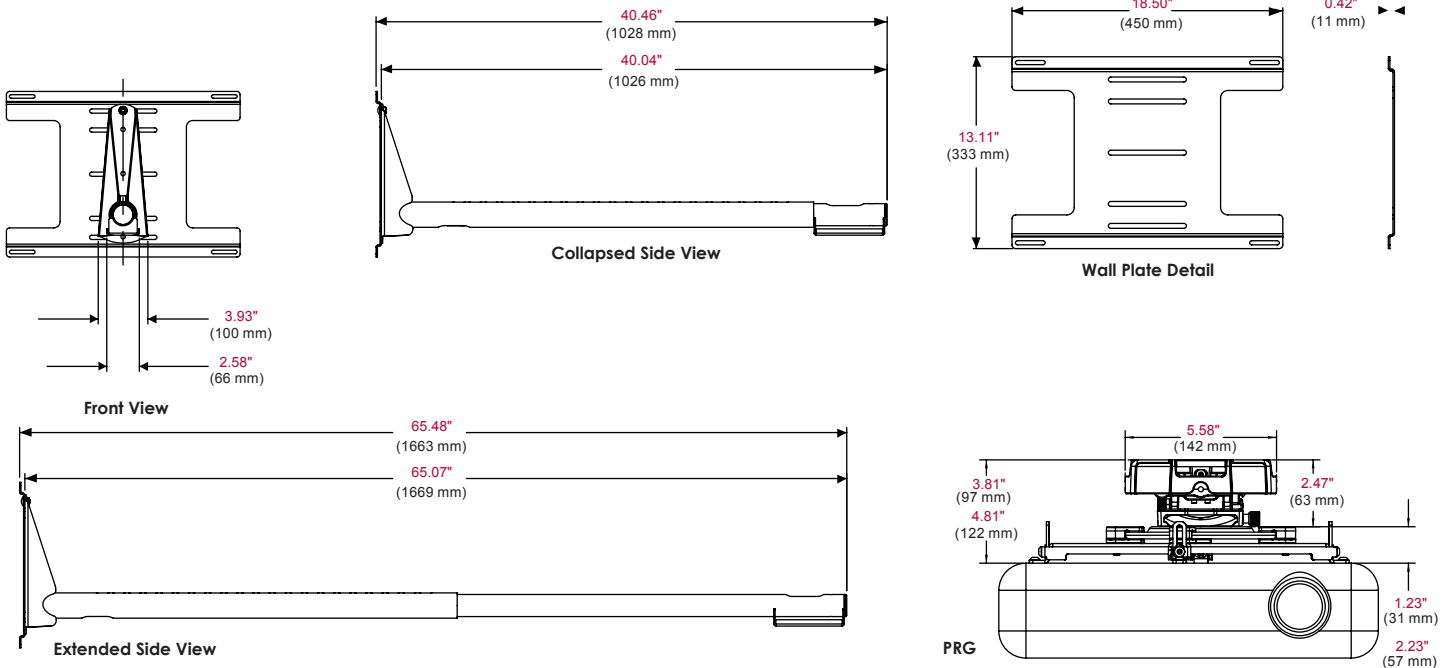
	PACKAGE SIZE (W x H x D)	PACKAGE SHIP WEIGHT	PACKAGE UPC CODE	PACKAGE CONTENTS	UNITS IN PACKAGE
PSTA-2955	17.13" x 4.75" x 45.75" (435 x 120 x 1162 mm)	21.58 lb (9.79 Kg)	735029262862	Short throw arm, PRG-UNV, double stud wall plate (PSTK model only) installation hardware, assembly instructions	1
PSTK-2955		25.1 lb (11.39 Kg)	735029263067		
PSTA-2955-W		21.58 lb (9.79 Kg)	735029262879		
PSTK-2955-W		25.1 lb (11.39 Kg)	735029263074		

Accessories

WSP320 Metal Stud Wall Plate

ACC020 Projector Security Cable

All dimensions = inch (mm)



ARCHITECTS SPECIFICATIONS

The Universal Projector Wall Arm shall be a Peerless model _____ and shall be located where indicated on the plans. It shall be constructed of heavy gauge cold rolled steel and feature scratch resistant white and black fused epoxy finish. Assembly and installation shall be done according to instructions provided by the manufacturer.