

SUT660P

Universal Ultra Slim Tilt Wall Mount For 37" to 60" Ultra-thin Flat Panel Screens*

The SUT660P Universal Ultra Slim Tilt Wall Mount is the industry's slimmest tilt wall mount that delivers an aesthetically-pleasing mounting solution with no sacrifice to functionality. Its innovative design and use of new technologies merge style with state-of-the-art continuous tilt technology, horizontal adjustment, and installer-friendly features. Complementing its versatility and functionality is a sleek, ultra-low profile design with a high gloss black finish that harmonizes the screen with the mount. The SUT660P provides the ultimate combination of looks and functionality in an ultra-thin package for the perfect, close-to-the-wall screen installation.



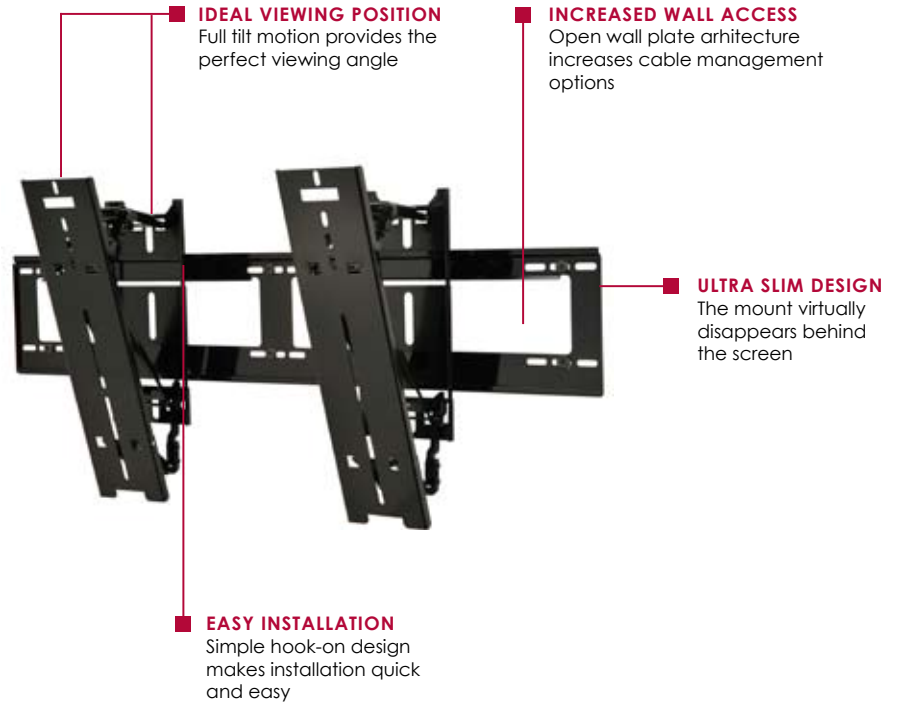
Screen size: 37"-60"



Max load: 100 lb (45 Kg)

FEATURES

- Holds screen 0.68" (17 mm) from the wall in the closed position
- Compatible with ultra-thin screens with up to a VESA® 800 x 400 mm mounting hole pattern
- Innovative tilt mechanism allows for easy setting of the tilt angle in just one motion
- Tilt range of +17.5°/-5° to position the screen at the ideal viewing angle
- Screen can be held off the wall more than 5.5" (140 mm) allowing for hands-free full access to the back of the screen
- Lockdown tab prevents screen from unwanted bump-off or horizontal shifting
- Screen adapters simply hook onto wall plate for quick and easy installation
- Horizontal adjustment up to 8" (203 mm) for perfect screen placement



Holds screen .68" (17 mm) from the wall



Full motion tilt allows for +17.5°/-5°



Screen extended up to 5.88" (149 cm) from the wall allowing for hands-free installation access to the back of the screen

* Designed exclusively for use with ultra-thin screens 2" (51 mm) deep or less



SUT660P: Ultra Slim Wall Mount for 37" to 60" Ultra-thin Flat Panel Screens

Product Specifications

	DIMENSIONS (W x H x D)	PRODUCT WEIGHT	LOAD CAPACITY	FINISH	AVAILABLE COLORS
SUT660P	36.77" x 17.25" x 0.68" (933 x 438 x 17 mm)	11.5 lb (5.2 Kg)	100 lb (45 Kg)	Scratch resistant fused epoxy	Gloss black

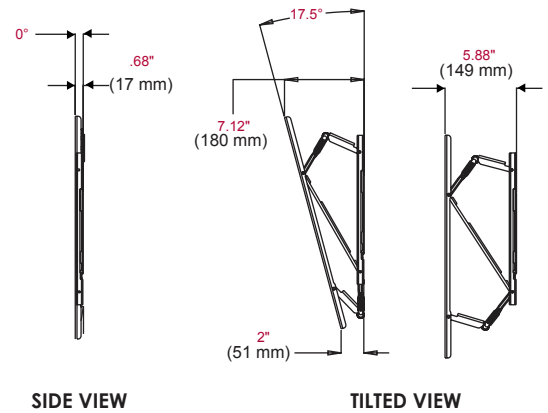
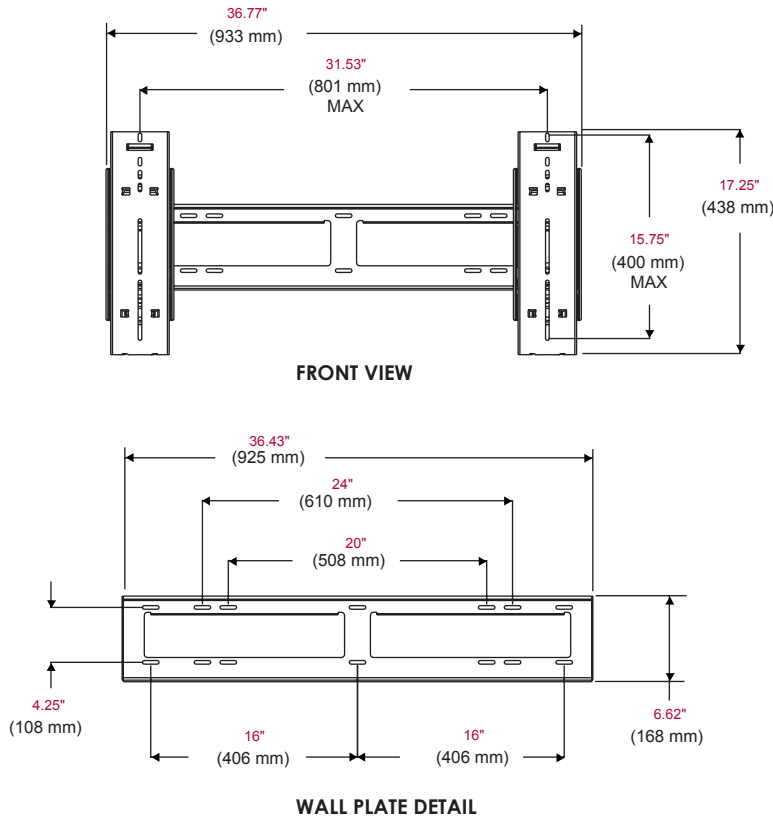
Package Specifications

	PACKAGE SIZE (W x H x D)	PACKAGE SHIP WEIGHT	PACKAGE UPC CODE	PACKAGE CONTENTS	UNITS IN PACKAGE
SUT660P	37.75" x 2.5" x 8.38" (959 x 64 x 213 mm)	12.5 lb (5.7 Kg)	735029264989	Mount and attachment hardware for screen and wall	1

Accessories

IBA1: In-wall accessory box

All dimensions = inch (mm)



NOTE: Screen Compatibility Requirements
 Designed exclusively for use with ultra-thin screens 2" (51 mm) deep or less

- The screen does not require any additional heat ventilation room than 0.68" (17 mm). Please refer to the manufacturer's requirements for mounting your screen on the wall.
- The screen must have a flat mounting surface, or the mounting holes need to be on the furthest back surface of the screen.
- Input/Output connection must be properly orientated to accommodate mounting 0.68" (17 mm) from the wall.

ARCHITECTS SPECIFICATIONS

The Ultra-Thin Universal Tilt Wall Mount shall be a Peerless model **SUT660P** and shall be located where indicated on the plans. It shall be constructed of cold rolled steel and feature scratch resistant gloss black fused epoxy finish. Assembly and installation shall be done according to instructions provided by the manufacturer.