

SA740P(-S)

SmartMount® Articulating Wall Arm For 22"-40" LCD Screens

From any angle, this wall arm mount reflects remarkable form and function. Extending the screen up to 20.18" (513mm) from the wall and allowing for a full 180° of side-to-side motion for viewing in any part of the room. Fine-tuning of the installation is simple with its side-to-side screen leveling features that help achieve installation perfection. This articulating arm also provides screen centering on the wall plate and integrates a cable management system, centering the TV on the wall when retracted and organizing and protecting the cables at all times. Designed and built in the USA, this mount maintains the same brilliant look as the entire SmartMount® 700 Series line of Articulating and Pivot Wall Arm Mounts.



Screen size: 22"-40" (56-102cm)



Max load: 80lb (36kg)

FEATURES

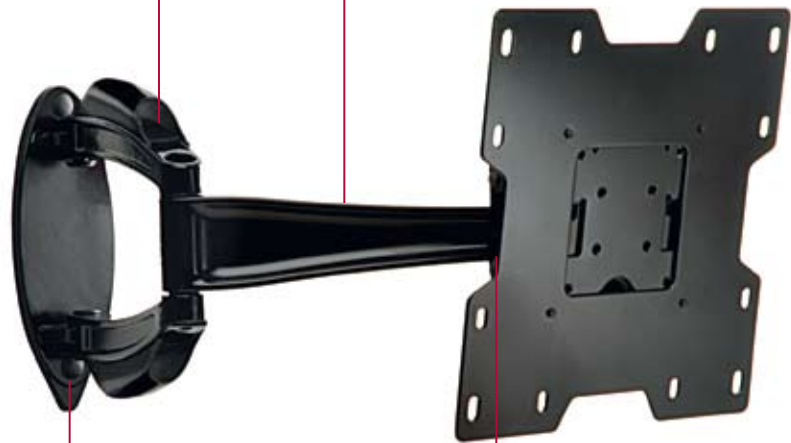
- Compatible with 22" to 40" (56-102cm) flat panel screens with mounting hole patterns of 75, 100, 200 x 100, and 200 x 200mm
- Screen can be held as close to the wall as 3.3" (84mm) or be extended as far as 20.18" (513mm)
- One-touch tilt mechanism provide up to +15°/-5° of tilt adjustment for achieving the ideal viewing angle
- ±5° of roll allows for post installation leveling
- Screen can be swiveled a full ±45° for obtaining ideal viewing direction
- Integrated cable management system makes running cables simple while keeping the cables protected
- Screen centers on wall plate for easy mount placement
- UL Listed for up to 80lb (36kg) load capacity

CLEAN APPLICATION

Built in cable management system keeps cables organized and protected

VIEWING FLEXIBILITY

Arm extends up to 20.18" (513mm) from wall



REMARKABLE FORM

Single stud mounting for a low-profile and fast installation

IDEAL TILT WITH JUST A TOUCH

One-touch tilt allows adjustment of +15° /-5° without the use of tools



Post installation leveling



Cable management from screen to wall plate protects and organizes cables



Screen centers on wall plate for the ideal screen position when retracted



RoHS

MADE IN USA

CLICK: www.peerlessmounts.com

CALL: 800.865.2112

FAX: 708.865.2941

peerless®

Model Numbers

WARRANTY: Limited 5-year

SA740P(-S) Articulating Wall Arm for 22"-40" (56-102cm) LCD Screens

Product Specifications

	DIMENSIONS (W x H x D)	PRODUCT WEIGHT	LOAD CAPACITY	FINISH	AVAILABLE COLORS
SA740P(-S)	8.75"-12.75" x 8.75" x 3.3"-20.18" (222-324 x 222 x 84-513mm)	8lb (3.6kg)	80lb (36kg)	Scratch resistant fused epoxy	SA740P: Gloss Black SA740P-S: Gloss Silver

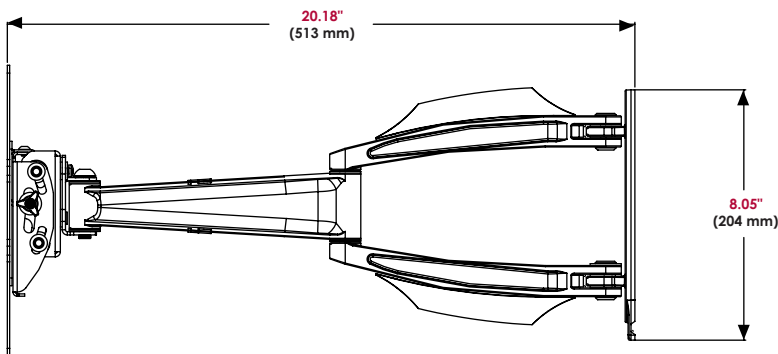
Package Specifications

	PACKAGE SIZE (W x H x D)	PACKAGE SHIP WEIGHT	PACKAGE UPC CODE	PACKAGE CONTENTS	UNITS IN PACKAGE
SA740P(-S)	13" x 10" x 4" (330 x 250 x 101mm)	8.45lb (3.8kg)	SA740P: 735029237327 SA740P-S: 735029237334	Mount, wall and screen attachment hardware, installation instructions	1

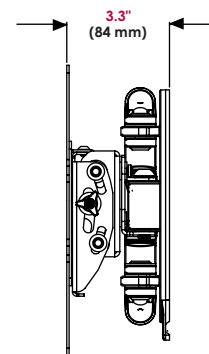
Accessories

ACC918: Security Faseteners
WSP700: Metal Stud Wall Plate for 16" Center Metal Studs
WSP701: Metal Stud Wall Plate for 20" and 24" Center Metal Studs

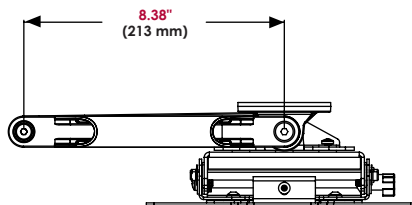
All dimensions = inch (mm)



Side View



Side View



Top View

ARCHITECTS SPECIFICATIONS

The Smartmount Articulating Wall Mount shall be a Peerless model SA740(P,-S) and shall be located where indicated on the plans. It shall feature scratch resistant black or silver fused epoxy finish. Assembly and installation shall be done according to instructions provided by the manufacturer.