

PAG-UNV

Arakno Geared Projector Mount

For Multimedia Projectors up to 50 lb (22 kg)

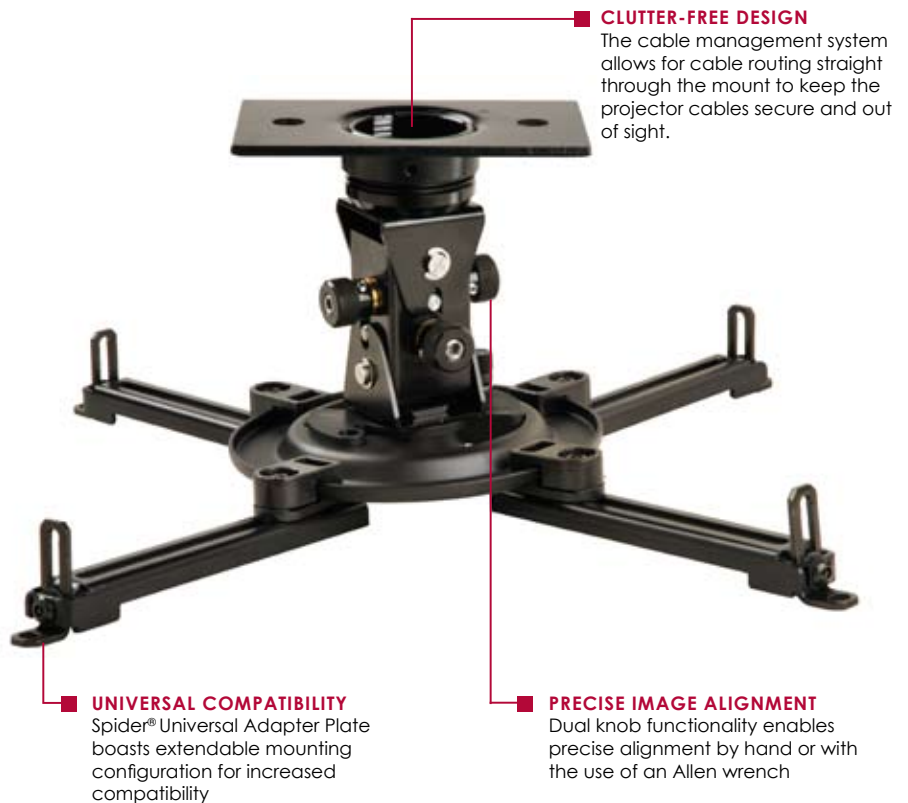
The Arakno Geared Projector Mount is designed with superior grip adjustment knobs to deliver the easiest fine-tuning for precise image alignment. Compatible with virtually any projector weighing up to 50 lb it is the easiest, most installer friendly-mount for any application. The ultimate solution for convenient and secure projector installation for ceiling applications.



Max load: 50 lb (22 kg)

FEATURES

- Patented gear technology enables effortless adjustment to achieve precise image alignment
- Provides superior range functionality:
 - Tilt: $\pm 25^\circ$
 - Roll: $\pm 25^\circ$
 - Swivel: 360°
- No tools required for image alignment, dual knobs design provide hassle-free method for adjusting the gears
- Quick-release mechanism to easily service projector
- Spider® Universal Adapter Plate extends up to 17.63" (448 mm) to fit most projector models
- All-in-one box solution, includes a ceiling plate, threaded cable management coupler and Peerless' Spider® Universal Adapter Plate



All-in-one solution



PAG-UNV: Arakno Geared Projector Mount for projectors weighing up to 50 lb (22 kg)

Product Specifications

	DIMENSIONS (W x H x D)	PRODUCT WEIGHT	LOAD CAPACITY	FINISH	AVAILABLE COLORS
PAG-UNV	8.5"-17.63" x 4.5"-7.14" x 8.5"-17.63" (216-448 x 114-181 x 216-448 mm)	3 lb (1.36 kg)	50 lb (22 kg)	Scratch resistant fused epoxy	Black

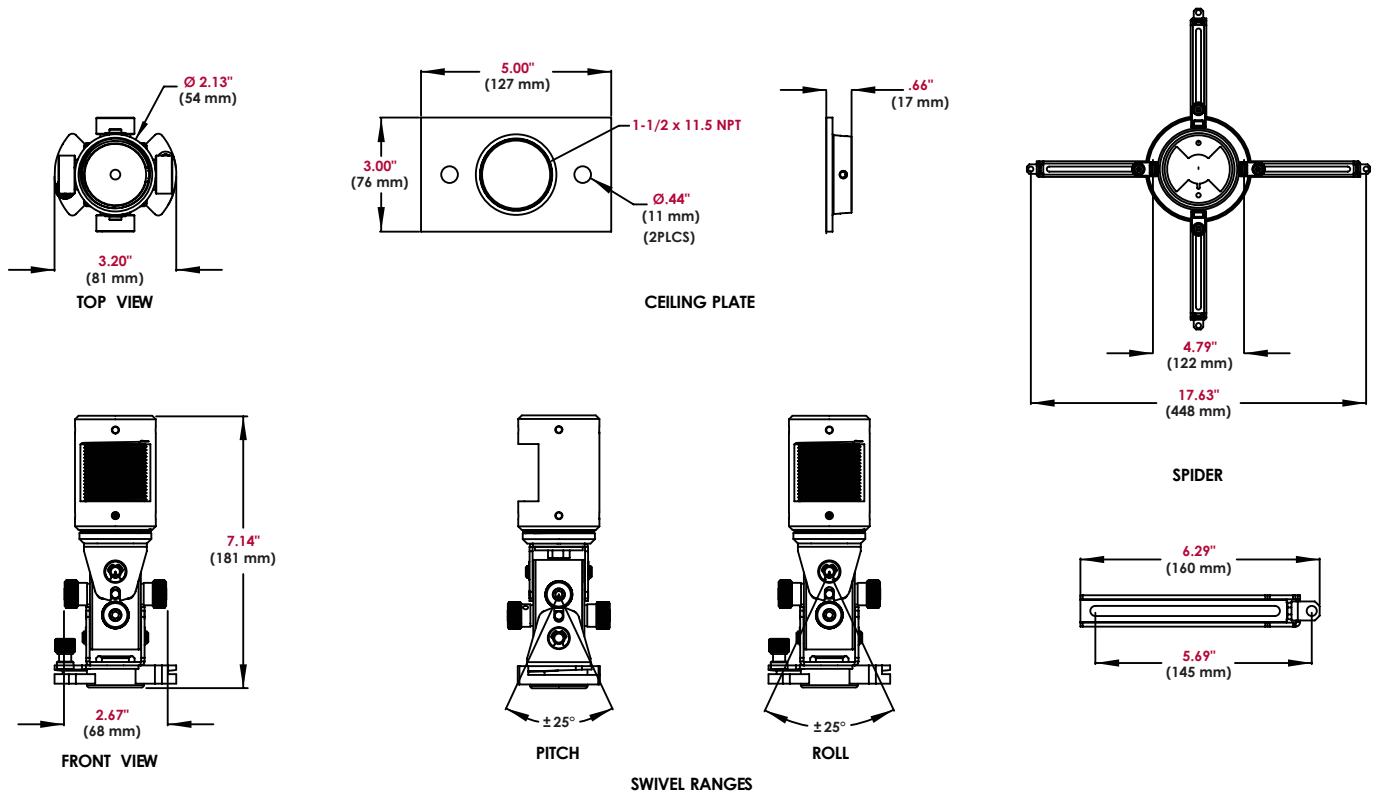
Package Specifications

	PACKAGE SIZE (W x H x D)	PACKAGE SHIP WEIGHT	PACKAGE UPC CODE	PACKAGE CONTENTS	UNITS IN PACKAGE
PAG-UNV	9.31" x 12.62" x 4.25" (236 x 320 x 107 mm)	5 lb (2.27 kg)	735029265023	Arakno Projector Mount, Ceiling Plate, Threaded Coupler, Spider® Universal Adapter Plate, Mounting and Projector Attachment Hardware, Assembly Instructions	1

Accessories

CMJ Models, ACC570, ACC571, ACC912:	Ceiling Kits	ACC830:	Side-to-Side Adjuster
ACC840/845:	Anit-Vibration Mount	PWA14 & EXA/B:	Wall Mount Arm
ADJ, EXT Models:	Extension Columns	ACC050:	Stability Kit

All dimensions = inch (mm)



ARCHITECTS SPECIFICATIONS

The mount shall be a Peerless model PAG-UNV and shall be located where indicated on the plans. The finish shall be scratch resistant black aluminum. Assembly and installation shall be done according to instructions provided by the manufacturer.