

SP735P(-S)

SmartMount® Pivot Wall Mount for 10"-26" Flat Panel Screens

Matching elements of easy installation and user-friendliness are found in this pivot mount. It boasts a low-profile wall plate design that easily attaches to the wall with only two screws. This pivot arm extends away from the wall with ease and closes back up to save space. The arm's multiple pivot points allow the flat panel screen to swivel, tilt and roll for the perfect viewing angle adjustment and screen leveling. Its fully integrated cable management system eliminates unsightly cable clutter and provides a safeguard. Designed and built in the USA, this mount maintains the same brilliant look as the entire SmartMount® 700 Series line of Articulating and Pivot Wall Arm Mounts.



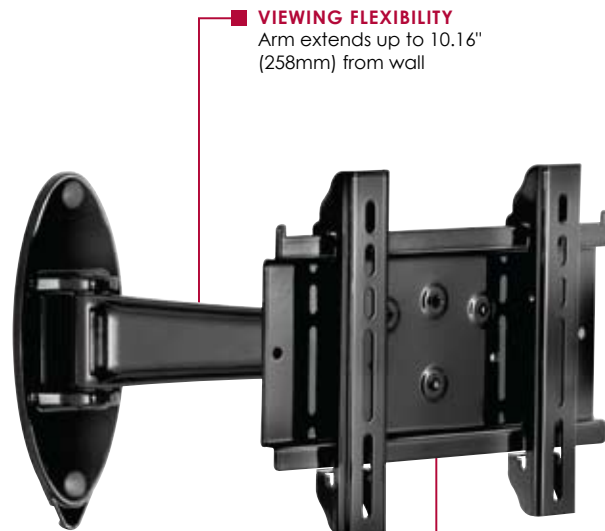
Screen size: 10"-26"



Max load: 25lb (11kg)

FEATURES

- Universal screen adapters provide compatibility for screens with up to a VESA® 200 x 100mm mounting hole pattern
- Arm extends up to 10.16" (258mm) from wall
- Pre-tensioned tilt mechanism offers up to $\pm 35^\circ$ of one-touch tilt
- $\pm 7^\circ$ roll aide in post installation screen leveling
- Integrated cable management keeps cables and cords out of the way



■ **VIEWING FLEXIBILITY**
Arm extends up to 10.16" (258mm) from wall

■ **IDEAL TILT WITH JUST A TOUCH**
Pre-tensioned tilt mechanism offers up to $\pm 35^\circ$ of one-touch tilt



Post installation leveling



Cable management from the screen to the wall plate for an organized, clean look



RoHS

MADE IN USA

CLICK: www.peerlessmounts.com

CALL: 800.865.2112

FAX: 708.865.2941

peerless®

SP735P(-S) Pivot Wall Mount for 10"-26" Flat Panel Screens

Product Specifications

	DIMENSIONS (W x H x D)	PRODUCT WEIGHT	LOAD CAPACITY	FINISH	AVAILABLE COLORS
SP735P(-S)	12.08" x 8.05" x 2.71"-10.16" (307 x 204 x 69-258mm)	3.5lb (1.6kg)	25lb (11kg)	Scratch resistant fused epoxy	SP735P: Gloss Black SP735P-S: Gloss Silver

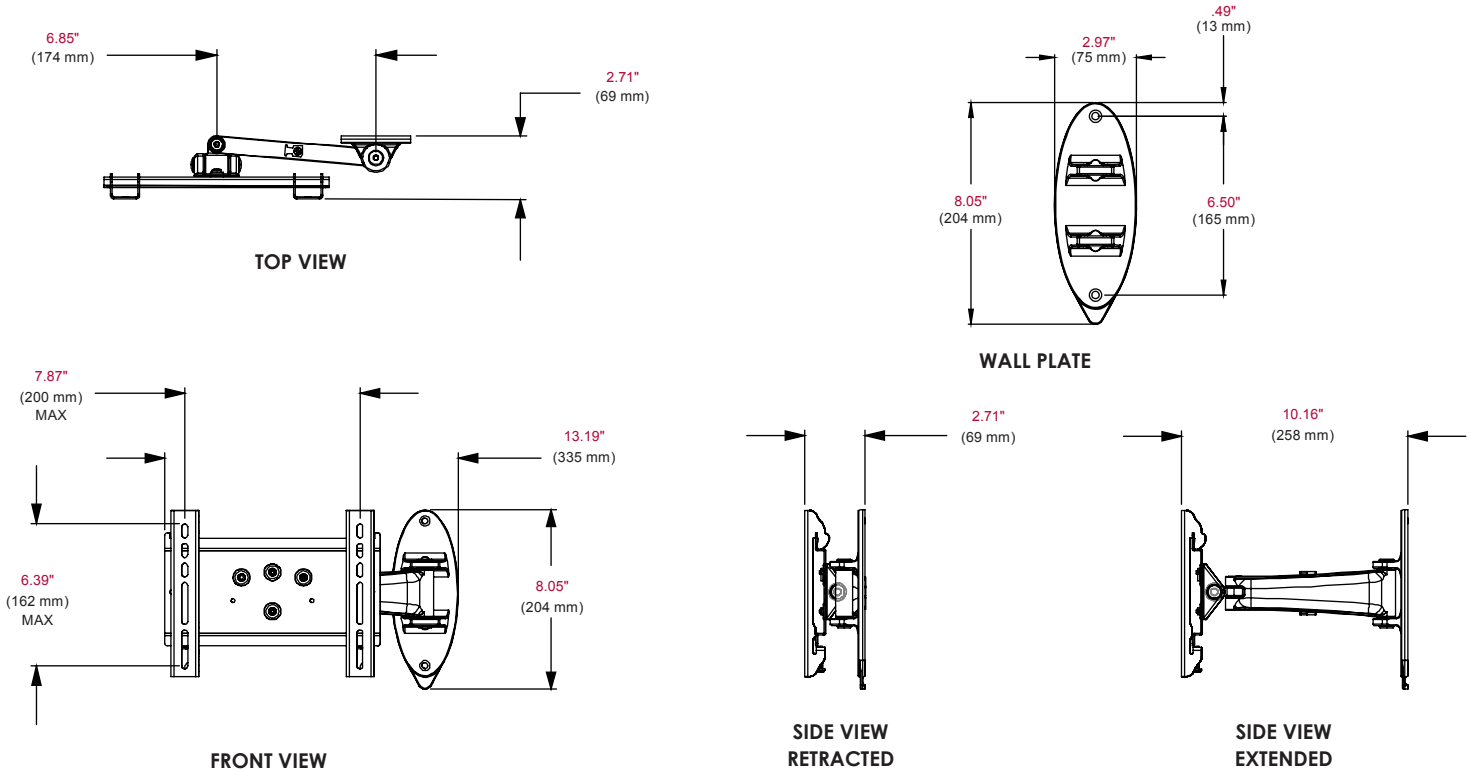
Package Specifications

	PACKAGE SIZE (W x H x D)	PACKAGE SHIP WEIGHT	PACKAGE UPC CODE	PACKAGE CONTENTS	UNITS IN PACKAGE
SP735P(-S)	10.5" x 3.25" x 14.5" (267 x 83 x 368mm)	3.7lb (1.7kg)	SP735P: 735029269731 SP735P-S: 735029269779	Mount, screen and wall mounting hardware	1

Accessories

- ACC919:** Security Fasteners
- ACC215:** 2-pack Metal Stud Fastener Kit
- WSP700:** Metal Stud Wall Plate for 16" Center Metal Studs
- WSP701:** Metal Stud Wall Plate for 20" and 24" Center Metal Studs

All dimensions = inch (mm)



ARCHITECTS SPECIFICATIONS

The Pivoting Wall Mount shall be a Peerless model SP735P(-S) and shall be located where indicated on the plans. Assembly and installation shall be done according to instructions provided by the manufacturer. Mount is made of scratch resistant epoxy black or silver finish.