

PAG-UNV-HD

# Arakno Heavy Duty Geared Projector Mount For Multimedia Projectors up to 100 lb (45 kg)



The Arakno Heavy Duty Geared Projector Mount is engineered for compact strength, with a capacity to hold a hefty 100-lb multimedia projector. While stout and sturdy in structure, this mount boasts premium adjustability and enhanced functionality. An integrated quick-connect mechanism makes projector attachment or removal easy, while its patented gear technology makes fine-tuning the projector image a cinch.



Max load: 100 lb (45 kg)

## FEATURES

- Patented gear technology enables effortless adjustment to achieve precise image alignment
- Provides superior range functionality:
  - Tilt: +29°/-45°
  - Roll: +29°/-45°
  - Swivel: 360°
- No tools required for image alignment, dual knobs design provide hassle-free method for adjusting the gears
- Quick-release mechanism to easily service projector
- Spider® Universal Adapter Plate extends up to 17.63" (448 mm) to fit most projector models
- All-in-one box solution, includes a ceiling plate, threaded cable management coupler and Peerless' Spider® Universal Adapter Plate



■ **SOLID CONSTRUCTION DESIGN**  
Sturdy construction provides a steady hold, hassle-free installation and total adjustability.

■ **UNIVERSAL COMPATIBILITY**  
Spider® Universal Adapter Plate boasts extendable mounting configuration for increased compatibility

■ **PRECISE IMAGE ALIGNMENT**  
Dual knob functionality enables precise alignment by hand or with the use of an Allen wrench



All-in-one solution



## Model Numbers

**WARRANTY:** Limited 5-year

**PAG-UNV-HD:** Arakno Heavy Duty Geared Projector Mount for projectors weighing up to 100 lb (45 kg)

## Product Specifications

	DIMENSIONS (W x H x D)	PRODUCT WEIGHT	LOAD CAPACITY	FINISH	AVAILABLE COLORS
<b>PAG-UNV-HD</b>	8.5"-17.63" x 7.5"-9.21" x 8.5"-17.63" (216-448 x 190-233 x 216-448 mm)	4 lb (1.81 kg)	100 lb (45 kg)	Scratch resistant fused epoxy	Black

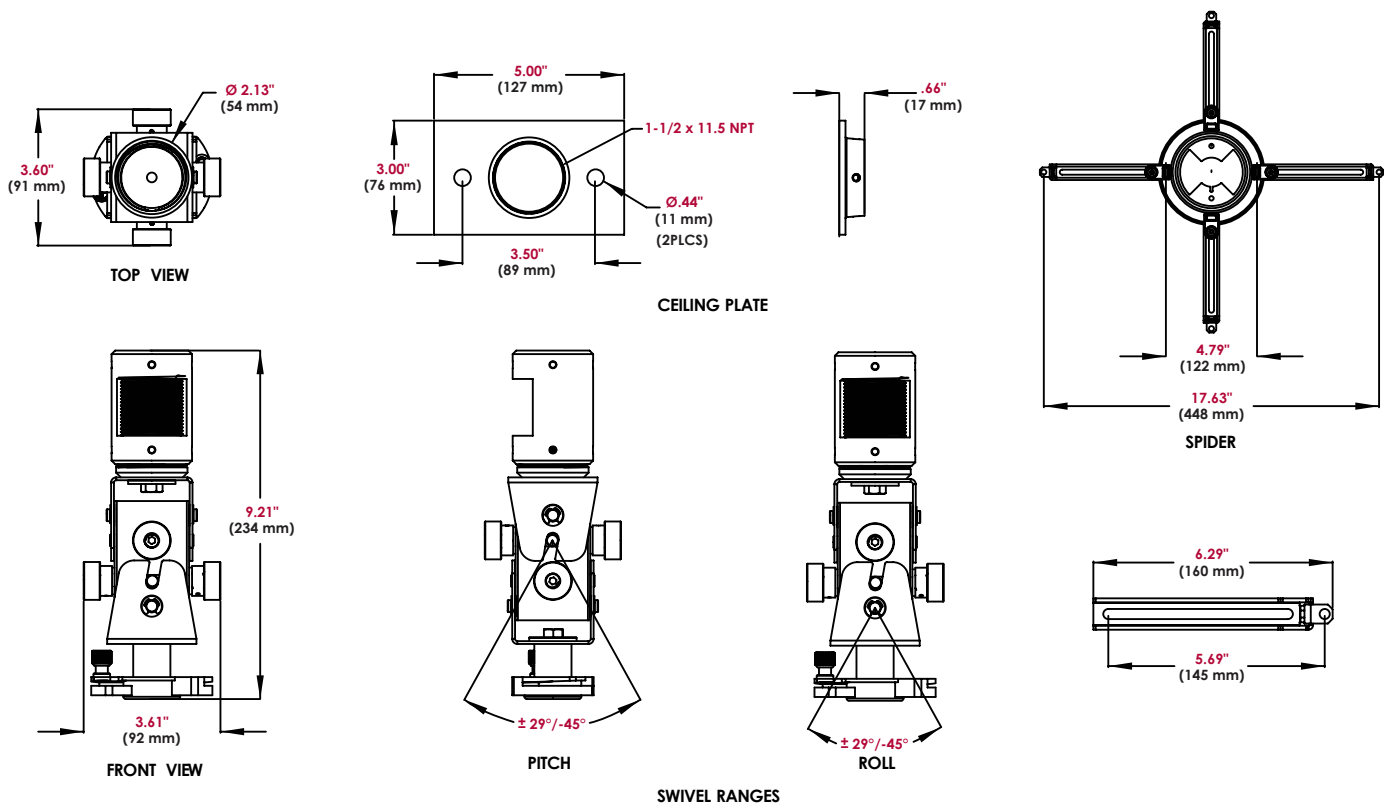
## Package Specifications

	PACKAGE SIZE (W x H x D)	PACKAGE SHIP WEIGHT	PACKAGE UPC CODE	PACKAGE CONTENTS	UNITS IN PACKAGE
<b>PAG-UNV-HD</b>	9.31" x 4.25" x 12.62" (236 x 107 x 320 mm)	6.2 lb (2.81 kg)	735029265030	Arakno Heavy Duty Projector Mount, Ceiling Plate, Threaded Coupler, Spider® Universal Adapter Plate, Mounting and Projector Attachment Hardware, Assembly Instructions	1

## Accessories

<b>CMJ Models, ACC570, ACC571, ACC912:</b>	Ceiling Kits	<b>ACC830:</b>	Side-to-Side Adjuster
<b>ACC840/845:</b>	Anit-Vibration Mount	<b>PWA14 &amp; EXA/B:</b>	Wall Mount Arm
<b>ADJ, EXT Models:</b>	Extension Columns	<b>ACC050:</b>	Stability Kit

All dimensions = inch (mm)



## ARCHITECTS SPECIFICATIONS

The mount shall be a Peerless model PAG-UNV-HD and shall be located where indicated on the plans. The finish shall be scratch resistant black aluminum. Assembly and installation shall be done according to instructions provided by the manufacturer.