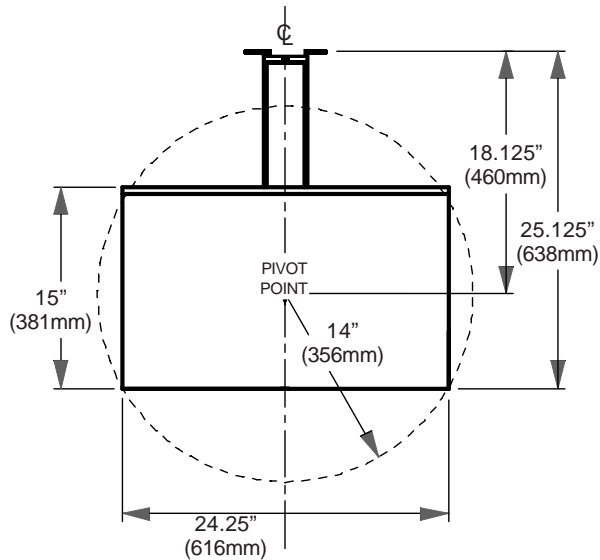
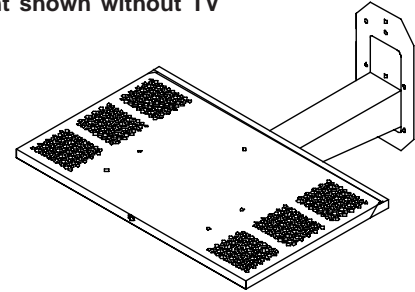


Slimline Wall Mount models **OP-LWB375** and **OP-LWB375T** are compatible with most 25" and 27" TVs and monitors. Model OP-LWB375 has a 0° tilt support tray. Model OP-LWB375T has a fixed 10° tilt support tray.

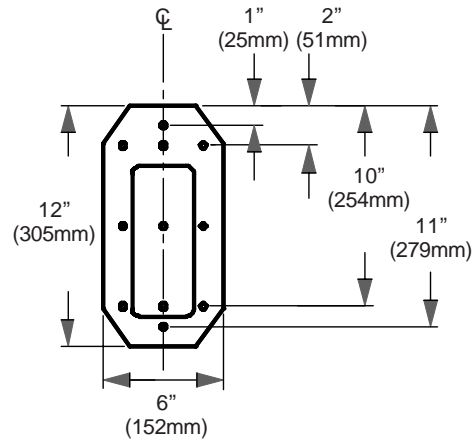
**Features:**

- Two-piece support tray with keylock
- 360° swivel
- Black fused epoxy finish
- Concrete fasteners available (order accessory kit #OP-ACC204)
- Concrete block fasteners available (order accessory kit #OP-ACC307)
- Metal stud wall plate available (model # OP-WSP425, OP-WSP435, OP-WSP445)

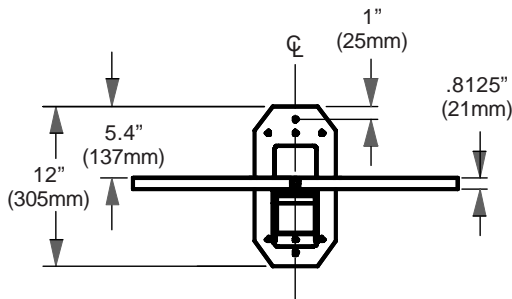
**OP-LWB375T Slimline Wall Mount shown without TV**



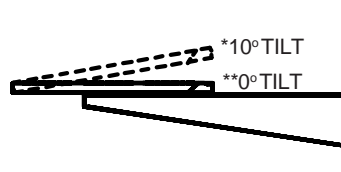
**TOP VIEW**



**WALL PLATE DETAIL (1.5X Scale)**



**FRONT VIEW**



**SIDE VIEW**

\*Model OP-LWB375T  
\*\*Model OP-LWB375

MODEL	OP-LWB375	OP-LWB375T
WEIGHT	25 lbs. (11.3 kg.)	26 lbs. (11.8 kg.)
SHIPPING WEIGHT	27 lbs. (12.3 kg.)	28 lbs. (12.7 kg.)

 **Product is UL rated up to 27" TV, 96 lbs. (43.5 kg.)**

**ARCHITECTS SPECIFICATIONS**

The Slimline Wall Mount shall be a Peerless model \_\_\_\_\_ and shall be located where indicated on the plans. It shall be constructed of heavy gauge cold rolled steel with a flat or 10° fixed tilt. It shall include a key lock for security. The finish shall be scratch resistant Black Fused Epoxy. Assembly and installation shall be done according to instructions provided by the manufacturer.



Peerless Industries, Inc. 3215 W. North Ave. Melrose Park, IL 60160  
708-865-8870 800-865-2112 Fax 708-865-2941  
www.peerlessmounts.com

**TECHNICAL DATA SHEET**

**Slimline Wall Mount for 25"- 27" TV's**