

TECHNICAL DATA SHEET - Vector Pro™ II Projector Mount for Sharp® XG-PH50X Projector



MODEL: PJF2 259

The **Vector Pro™ II** provides a clean look with its NEW cable management capabilities. The included extension column connector incorporates internal cord management paths that keep unsightly cords concealed from view. The mount also features a ceiling plate, ball and socket design, multi-directional positioning (roll, pitch, and yaw) for proper image alignment and complete Armor Lock™ security at every connection point. This projector mount is perfect for use in classrooms, boardrooms, hotels, bars, and restaurants or anywhere a projector needs to be mounted. The Vector Pro™ II can be flush mounted, mounted using 1-1/2" diameter extension column, mounted using 1/2" thread rod or wall mounted.

Features:

- Color: black
- 30° (±15°) pitch, 30° (±15°) roll, 360° yaw* - All with positive lock at any degree
- Theft-resistant Armor Lock security for complete, integrated security from projector to ceiling
- Two thumb screws allow for easy projector removal
- Features a 1-1/2" cord access hole
- Ships fully assembled and attaches to projector adapter plate with a partial rotation and engages into place
- Can be attached to a 1-1/2" 11.5 NPT extension column, 1/2" threaded rod, or projector wall arm
- Most models offer quick and easy lamp and filter access
- Designed to route cords internally through an extension column
- Ceiling plate included - full line solution

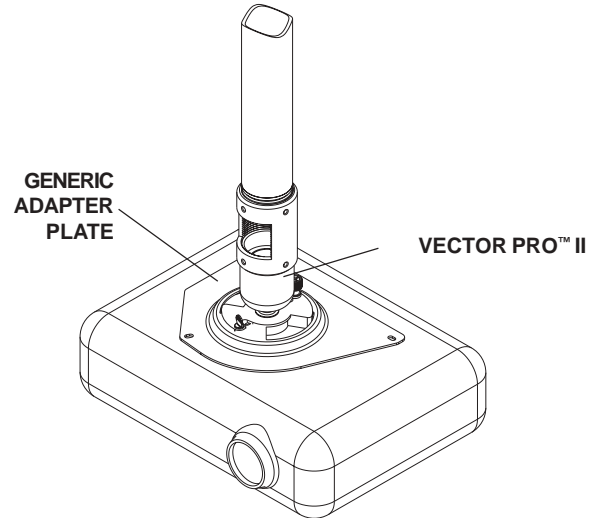
* Roll & pitch may be limited when flush mounted depending on the dimensions of the specific projector.

Maximum Load Capacity:

50 lb (22.7 kg)

Dimensions:

For product dimensions, see pages 2 - 4.



Accessories:

- Fixed and Adjustable length 1 1/2" NPT Extension Columns ("EXT" or "ADJ" models)
- Black External Cord Wrap (ACC 852 & ACC 856)
- Concrete Anchors (ACC 205 or ACC 203)
- Armor Lock Plus™ security cable with Kensington® Lock (ACC 020)
- Armor Lock Plus™ security cable (ACC 021)
- Lightweight Suspended Ceiling Plate (CMJ 455)
- Anti-Vibration Ceiling Plates (ACC 840 & 845)
- Side to Side Adjuster (ACC 830)
- Threaded Rod Adapter (ACC 810)

ARCHITECTS SPECIFICATIONS:

The **Vector Pro II** projector mount shall be a Peerless Model **PJF2 259** and shall be mounted where indicated on the plans. It shall feature 30° (±15°) pitch, 30° (±15°) roll, and 360° yaw. It shall have a 50 lb load capacity. It shall have a quick release spring loaded screw for easy removal and installation of the projector. It shall feature security screws. It shall be constructed of aluminum and nylon finished in black or silver. The main housing is constructed of aluminum. The connector, which locks into the steel adapter plate, is constructed of nylon and is secured to the aluminum ball joint with a 1/4 -20 x 1 1/2" long steel bolt. The nylon material can take direct heat up to 250° without any deformation. Its melting point is 500° F. The Vector Pro II is capable of holding up to 50 lb at the maximum 15° roll or pitch. Installation and assembly shall be done in accordance with the instructions provided by the manufacturer.

Peerless Industries, Inc.

3215 W. North Ave. Melrose Park, IL 60160
708-865-8870 800-865-2112 Fax 708-865-2941

www.peerlessmounts.com

ISSUED: 07-06-05 SHEET NO: 056-9551-1

© 2005 Peerless Industries, Inc. All rights reserved.

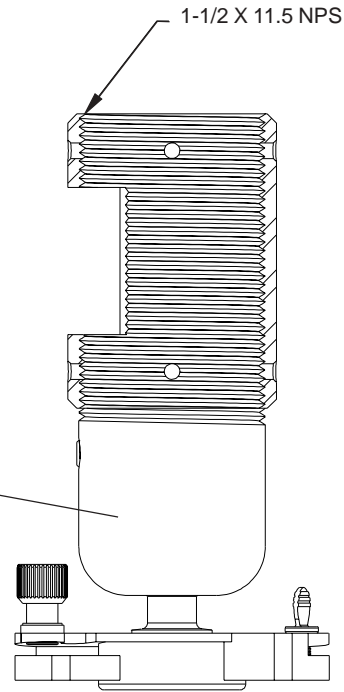
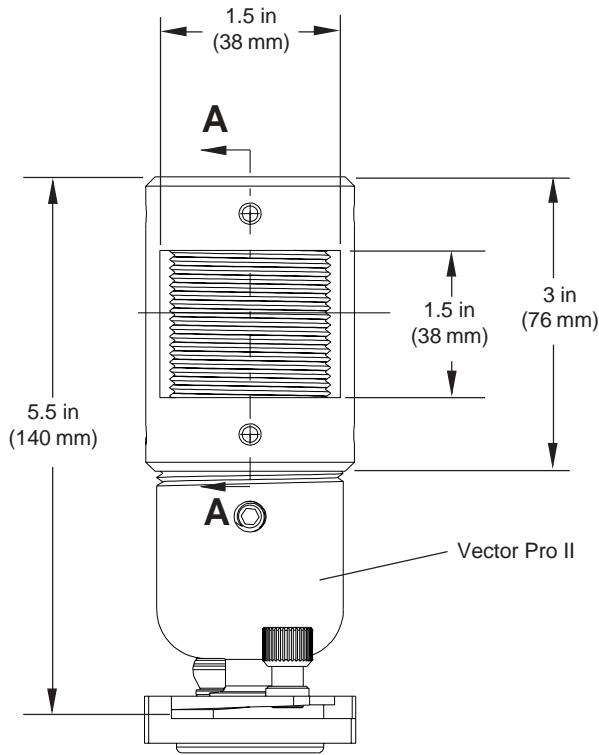
Peerless is a registered trademark of Peerless Industries, Inc.

Vector Pro, Armor Lock, and Armor Lock Plus are trademarks of Peerless Industries, Inc.

All other brand and product names are trademarks or registered trademarks of their respective owners.

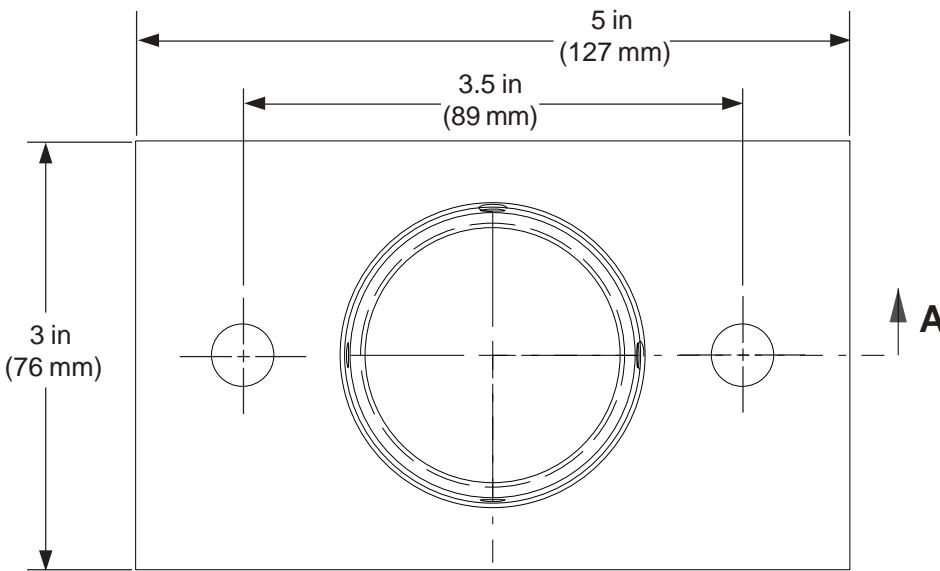
TECHNICAL DATA SHEET

MODEL: PJF2 259

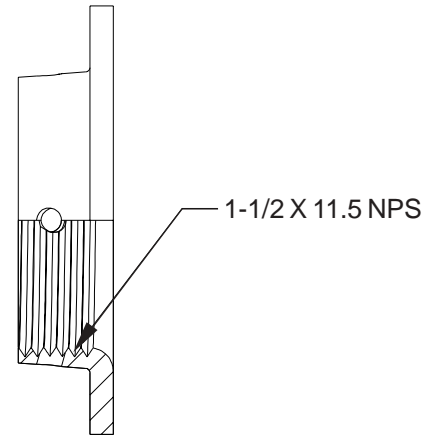


FRONT VIEW
WITH CORD MANAGEMENT CONNECTOR

SECTION A-A

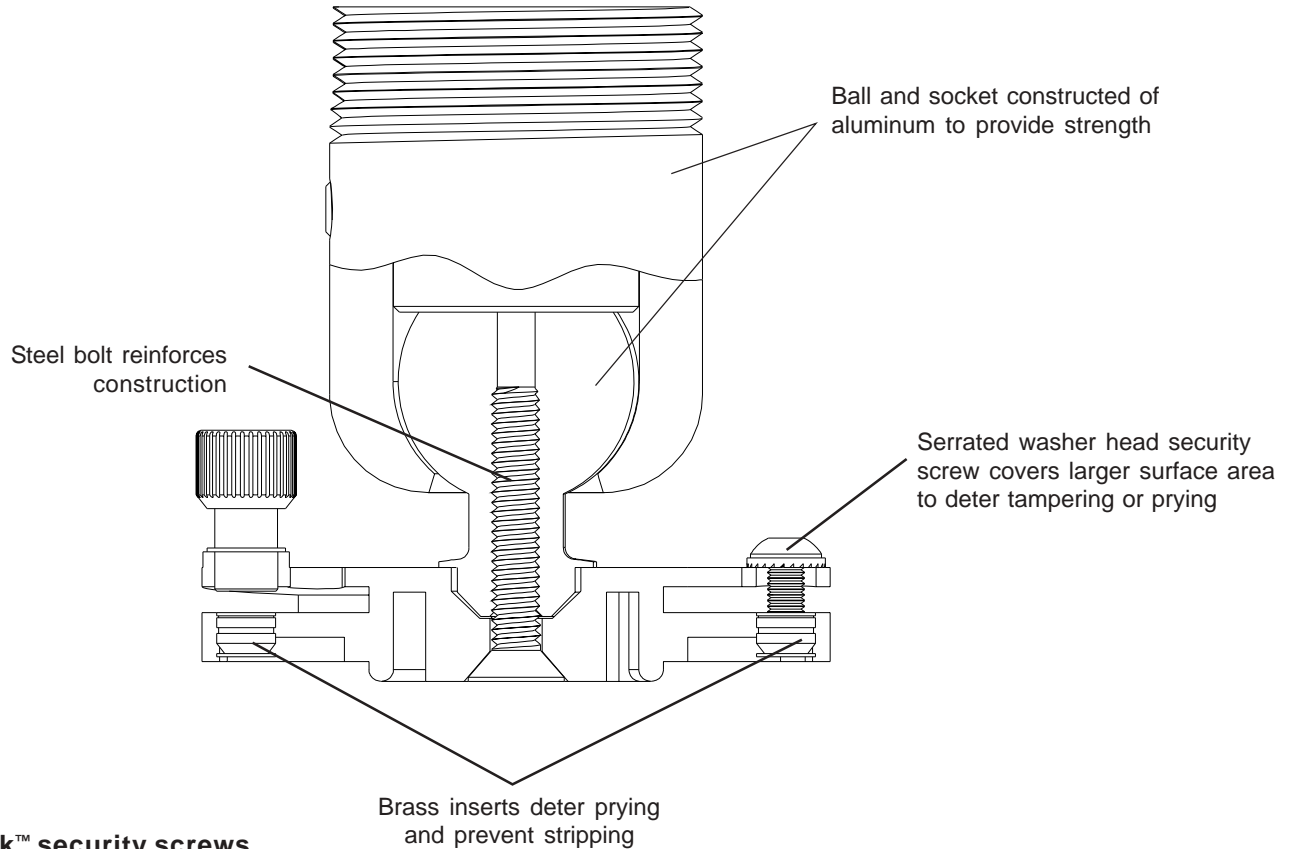


TOP VIEW
(CEILING PLATE DETAIL)



SECTION A-A

Armor Lock™ Security Features

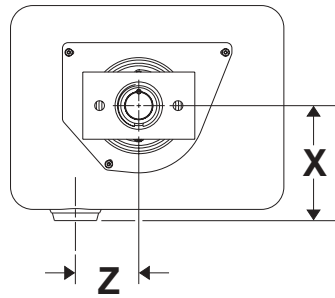


NOTE: Armor Lock™ security screws are also included with PAP model adapter plates.

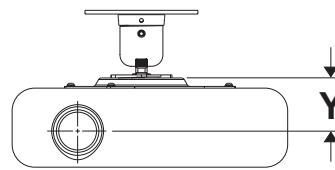
CUT AWAY VIEW

TECHNICAL DATA SHEET

MODEL: PJF2 259



TOP VIEW

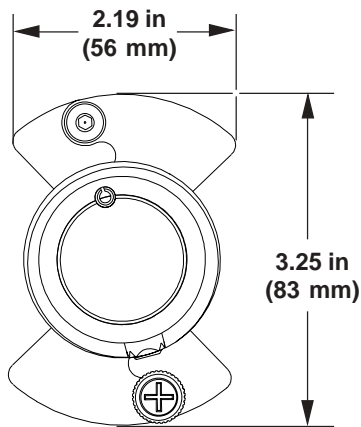


FRONT VIEW

CARTON DIMENSIONS	SHIPPING WEIGHT	PRODUCT WEIGHT	DIMENSIONS		
			X	Y	Z
12.75 x 9.5 x 2.5 (324 x 241 x 64)	3.7 (1.7)	3.0 (1.4)	7.38 (187)	4.38 (111)	3 (76)

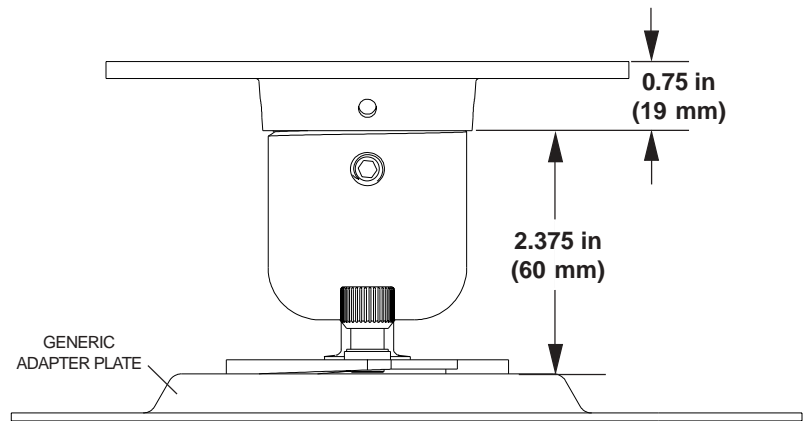
All dimensions shown above as in / (mm). All weights shown as lb / (kg).

Note: Y is the dimension from the top of the adapter plate to the center of the lens on the projector.



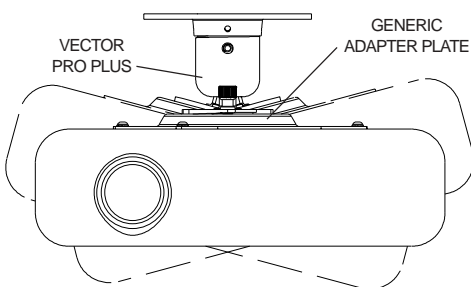
TOP VIEW

(without ceiling plate and adapter plate)

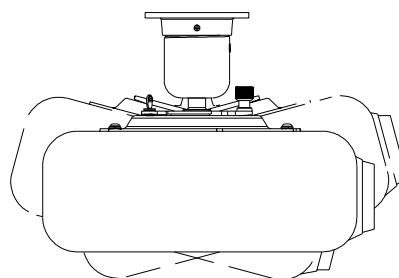


FRONT VIEW

30° (±15°) ROLL



30° (±15°) PITCH



360° (±180°) YAW

