

TECHNICAL DATA SHEET - Vector Pro™ II Projector Mount

peerless®

MODELS: PJF2 Series

The **Vector Pro™ II** provides a clean look with its NEW cable management capabilities. The included extension column connector incorporates internal cord management paths that keep unsightly cords concealed from view. The mount also features a ceiling plate, ball and socket design, multi-directional positioning (roll, pitch, and yaw) for proper image alignment and complete Armor Lock™ security at every connection point. This projector mount is perfect for use in classrooms, boardrooms, hotels, bars, and restaurants or anywhere a projector needs to be mounted. The Vector Pro™ II can be flush mounted, mounted using 1-1/2" diameter extension column, mounted using 1/2" thread rod or wall mounted.

Features:

- Color: black
- *30° (±15°) pitch, 30° (±15°) roll, 360° yaw - All with positive lock at any degree
- Theft-resistant Armor Lock security for complete, integrated security from projector to ceiling
- Two thumb screws allow for easy projector removal
- Features a 1-1/2" cord access hole
- Ships fully assembled and attaches to projector adapter plate with a partial rotation and engages into place
- Can be attached to a 1-1/2" 11.5 NPT extension column, 1/2" threaded rod, or projector wall arm
- Most models offer quick and easy lamp and filter access
- Designed to route cords internally through an extension column
- Ceiling plate included - full line solution

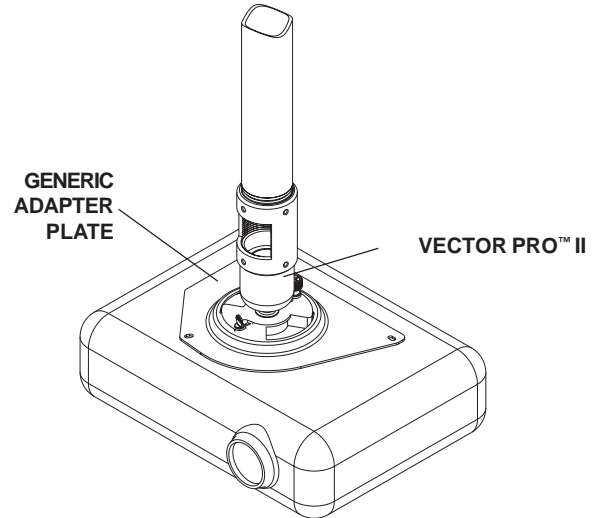
* Roll & pitch may be limited when flush mounted depending on the dimensions of the specific projector.

Maximum Load Capacity:

50 lb (22.7 kg)

Dimensions:

For product dimensions, see pages 2 - 11.



Accessories:

- Fixed and Adjustable length 1 1/2" NPT Extension Columns ("EXT" or "ADJ" models)
- Black External Cord Wrap (ACC 852 & ACC 856)
- Concrete Anchors (ACC 205 or ACC 203)
- Armor Lock Plus™ security cable with Kensington® Lock (ACC 020)
- Armor Lock Plus™ security cable (ACC 021)
- Lightweight Suspended Ceiling Plate (CMJ 455)
- Anti-Vibration Ceiling Plates (ACC 840 & ACC 845)
- Side to Side Adjuster (ACC 830)
- Threaded Rod Adapter (ACC 810)

ARCHITECTS SPECIFICATIONS:

The **Vector Pro II** projector mount shall be a Peerless Model **PJF2** and shall be mounted where indicated on the plans. It shall feature 30° (±15°) pitch, 30° (±15°) roll, and 360° yaw. It shall have a 50 lb maximum load capacity. It shall have a quick release spring loaded screw for easy removal and installation of the projector. It shall feature security screws. It shall be constructed of aluminum and nylon finished in black. The main housing is constructed of aluminum. The connector, which locks into the steel adapter plate, is constructed of nylon and is secured to the aluminum ball joint with a 1/4 -20 x 1 1/2" long steel bolt. The nylon material can take direct heat up to 250° without any deformation. Its melting point is 500° F. The PJF2-1 has been pull tested to 1000 lbs. The Vector Pro II is capable of holding up to 50 lb at the maximum 30° (+15°, -15°) roll or pitch. Installation and assembly shall be done in accordance with the instructions provided by the manufacturer.

Peerless Industries, Inc.

3215 W. North Ave. Melrose Park, IL 60160
708-865-8870 800-865-2112 Fax 708-865-2941

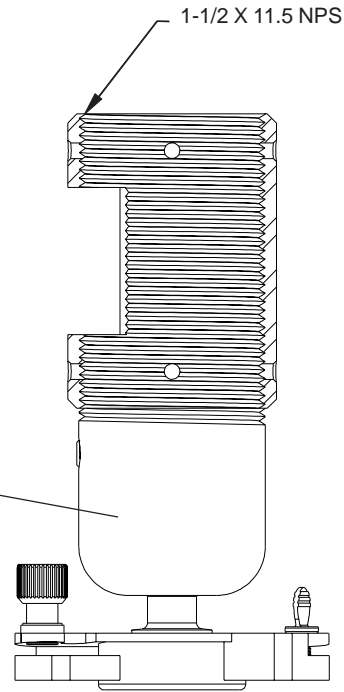
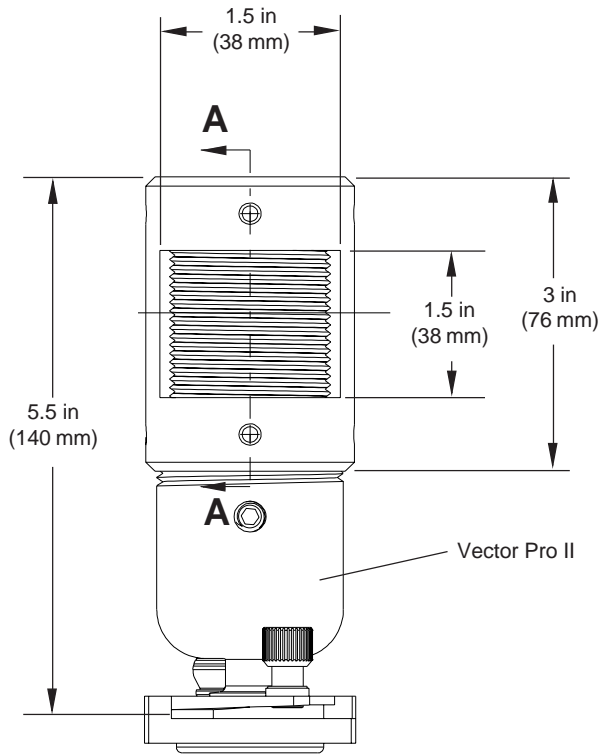
www.peerlessmounts.com

ISSUED: 07-13-05 SHEET NO: 056-9556-25 04-20-07

© 2007 Peerless Industries, Inc. All rights reserved.
Peerless is a registered trademark of Peerless Industries, Inc.
Vector Pro, Armor Lock, and Armor Lock Plus are trademarks of Peerless Industries, Inc.
All other brand and product names are trademarks or registered trademarks of their respective owners.

TECHNICAL DATA SHEET

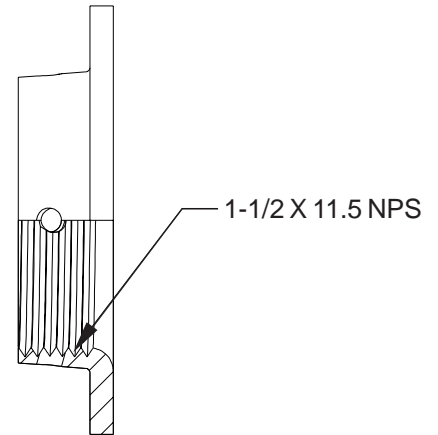
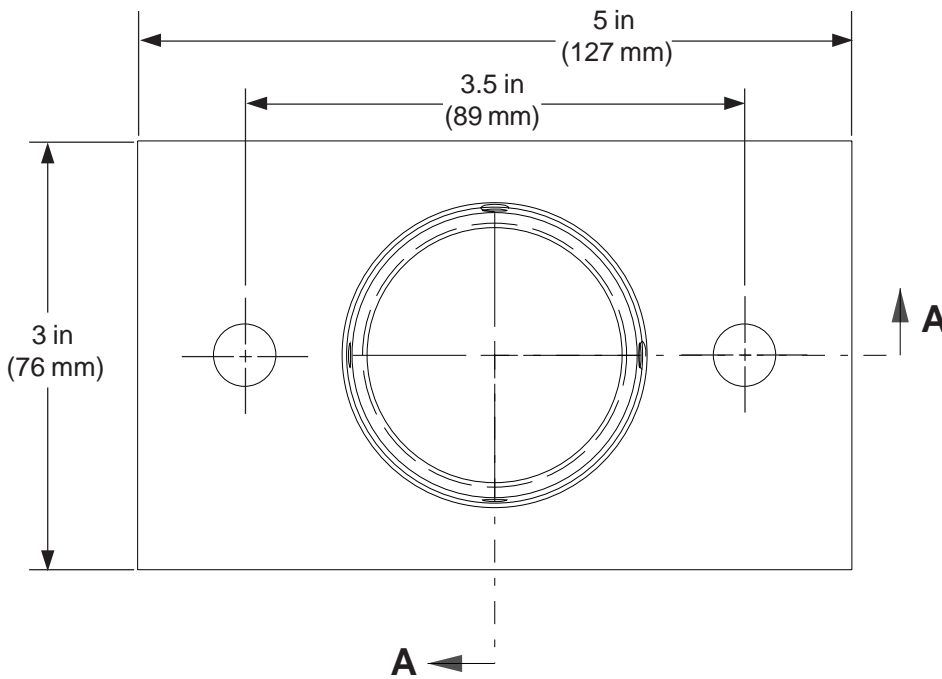
MODELS: PJF2 Series



FRONT VIEW

SECTION A-A

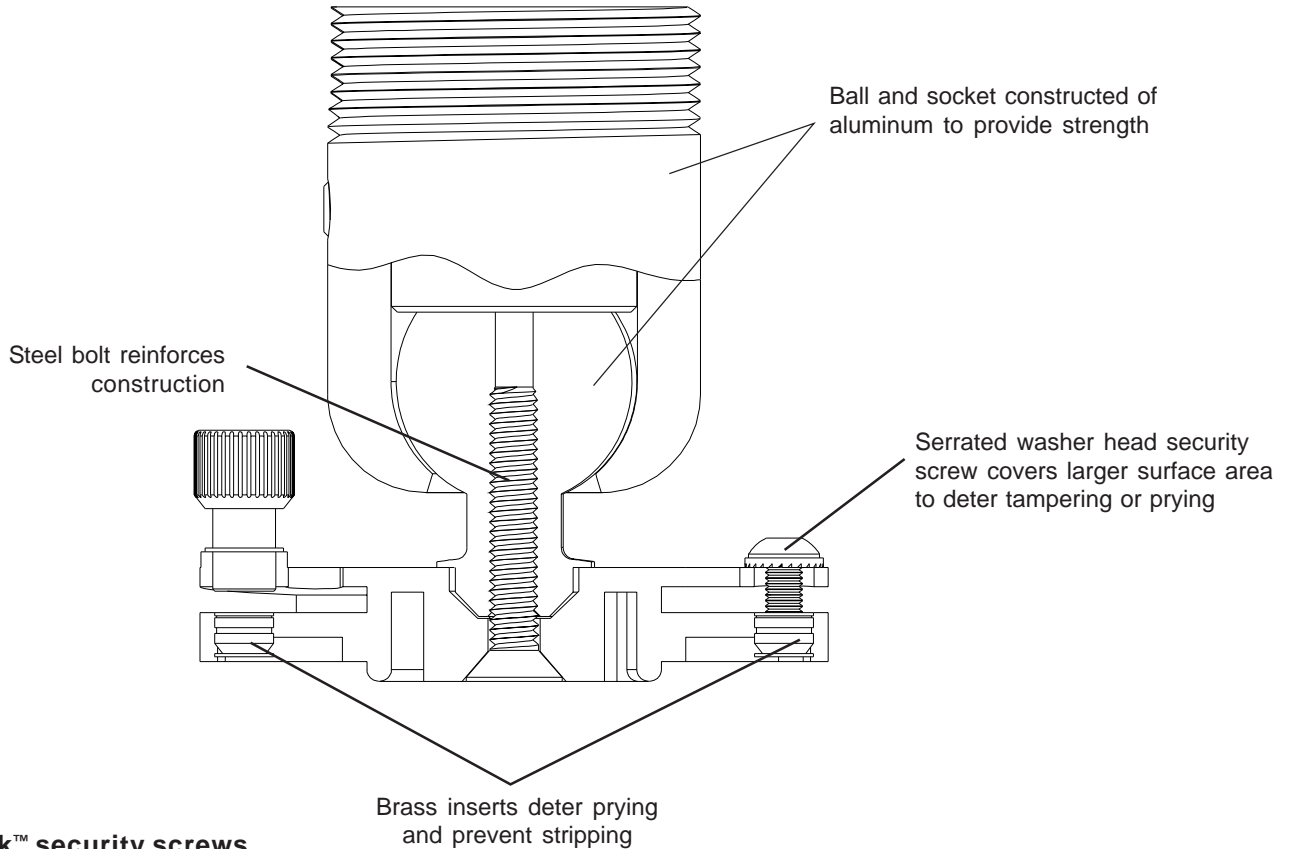
WITH CORD MANAGEMENT CONNECTOR



**TOP VIEW
(CEILING PLATE DETAIL)**

SECTION A-A

Armor Lock™ Security Features



NOTE: Armor Lock™ security screws are also included with PAP model adapter plates.

CUT AWAY VIEW

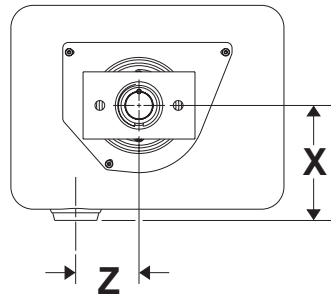
TECHNICAL DATA SHEET

MODELS: PJF2 Series

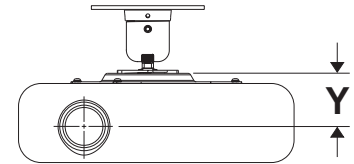
Refer to chart on following pages for your specific model's dimensions.

Note: Y is the dimension from the top of the adapter plate to the center of the lens on the projector.

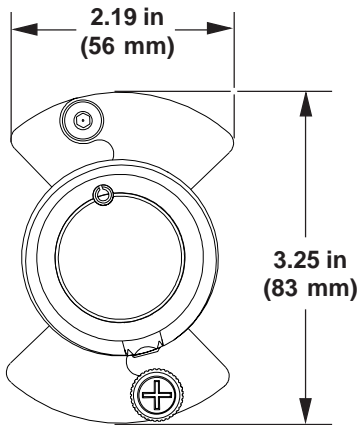
Note: X, Y, and Z dimensions are provided for manufacturer models listed only.



TOP VIEW

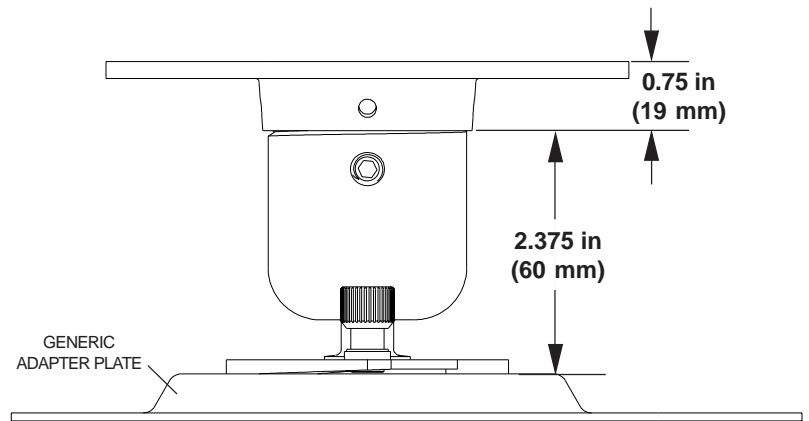


FRONT VIEW



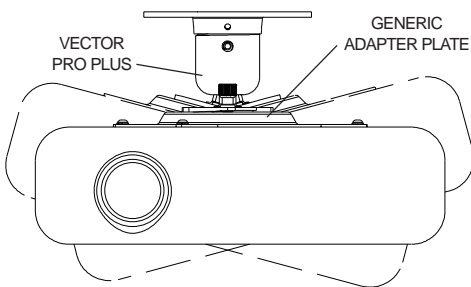
TOP VIEW

(without ceiling plate and adapter plate)

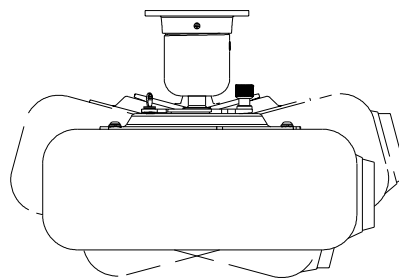


FRONT VIEW

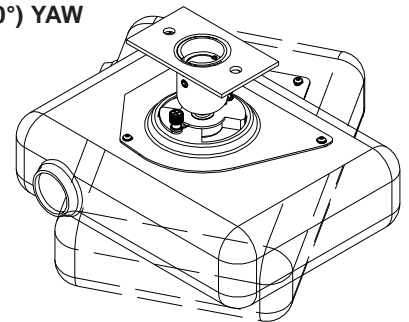
30° (±15°) ROLL



30° (±15°) PITCH



360° (±180°) YAW



TECHNICAL DATA SHEET

MODELS: PJF2 Series

| Model# | Carton Dimensions | Shipping Weight | Product Weight | Manufacturer Model | Dimensions | | |
|-----------------|---|-----------------|----------------|-----------------------------------|---------------|---------------|---------------|
| | | | | | X | Y | Z |
| PJF2-1 | 8.0 x 4.0 x 4.0 (324 x 241 x 64) | 1.3 (0.6) | 1.0 (0.5) | N/A | N/A | N/A | N/A |
| PJF2-101 | 12.75 x 9.5 x 2.5 (324 x 241 x 64) | 1.7 (0.8) | 1.4 (0.6) | InFocus® LP290 | 4.50 (114) | 5.60 (142) | 0.25 (6) |
| PJF2-102 | 12.75 x 9.5 x 2.5 (324 x 241 x 64) | 2.2 (1.0) | 1.7 (0.8) | InFocus® LP530 | 6.50 (165) | 5.75 (146) | 3.00 (76) |
| PJF2-103 | 12.75 x 9.5 x 2.5 (324 x 241 x 64) | 2.5 (1.1) | 2.0 (0.9) | NEC™ VT 45 | 4.75 (121) | 5.75 (146) | 2.80 (71) |
| PJF2-104 | 12.75 x 9.5 x 2.5 (324 x 241 x 64) | 2.7 (1.2) | 2.2 (1.0) | Sanyo™ PLC-XU30 | 5.25 (133) | 7.00 (178) | 3.00 (76) |
| PJF2-106 | 12.75 x 9.5 x 2.5 (324 x 241 x 64) | 3.3 (1.5) | 2.7 (1.2) | Sanyo™ PLU-XP40, PLU-XP45/L | 8.63 (219) | 8.10 (206) | 1.10 (28) |
| PJF2-109 | 12.75 x 9.5 x 2.5 (324 x 241 x 64) | 4.4 (2.0) | 3.0 (1.4) | NEC™ NEC GT1150 and NEC GT2150 | 9.88 (251) | 8.18 (208) | 0.00 (0) |
| PJF2-111 | 12.75 x 9.5 x 2.5 (324 x 241 x 64) | 2.6 (1.2) | 1.8 (0.8) | NEC™ LT155 | 4.60 (117) | 5.10 (130) | 1.50 (38) |
| PJF2-112 | 12.75 x 9.5 x 2.5 (324 x 241 x 64) | 2.5 (1.1) | 1.9 (0.9) | Sharp™ XV-Z9000U | 9.80 (249) | 7.50 (191) | 0.50 (13) |
| PJF2-113 | 12.75 x 9.5 x 2.5 (324 x 241 x 64) | 3.0 (1.4) | 2.2 (1.0) | Mitsubishi™ XL1U | 6.00 (152) | 5.75 (146) | 1.00 (25) |
| PJF2-114 | 14.5 x 13.125 x 1.625 (368 x 333 x 41) | 5.6 (2.5) | 5.1 (2.3) | Mitsubishi™ X500U | 7.00 (178) | 8.00 (203) | 2.00 (51) |
| PJF2-115 | 12.75 x 9.5 x 2.5 (324 x 241 x 64) | 2.4 (1.1) | 2.0 (0.9) | Sony™ VLP-CS10 | 4.63 (117) | 5.50 (140) | 2.50 (64) |
| PJF2-116 | 12.75 x 9.5 x 2.5 (324 x 241 x 64) | 3.0 (1.4) | 2.6 (1.2) | LUXEON™ V1 | 4.50 (114) | 2.40 (61) | 3.60 (91) |
| PJF2-117 | 12.75 x 9.5 x 2.5 (324 x 241 x 64) | 2.2 (1.0) | 1.6 (0.7) | Proxima® DP6150 | 4.50 (114) | 5.50 (140) | 1.13 (29) |
| PJF2-118 | 12.75 x 9.5 x 2.5 (324 x 241 x 64) | 2.7 (1.2) | 2.1 (1.0) | Sony™ VLP-CS10 | 3.50 (89) | 2.50 (64) | 2.20 (56) |
| PJF2-119 | 12.75 x 9.5 x 2.5 (324 x 241 x 64) | 3.9 (1.8) | 3.1 (1.4) | Epson™ PowerLite 600p | 5.00 (127) | 2.50 (64) | 2.50 (64) |
| PJF2-121 | 12.75 x 9.5 x 2.5 (324 x 241 x 64) | 2.4 (1.1) | 1.8 (0.8) | Sharp™ PG-M15X | 3.00 (76) | 2.25 (57) | 2.87 (73) |
| PJF2-123 | 12.75 x 9.5 x 2.5 (324 x 241 x 64) | 2.5 (1.1) | 2.0 (0.9) | Sanyo™ PLC-XW20 | 5.75 (146) | 2.25 (57) | 2.25 (57) |
| PJF2-124 | 12.75 x 9.5 x 2.5 (324 x 241 x 64) | 2.9 (1.3) | 2.4 (1.1) | Panasonic® PT-LC55U, PT-LC75U | 5.75 (146) | 2.10 (53) | 1.25 (32) |
| PJF2-125 | 12.75 x 9.5 x 2.5 (324 x 241 x 64) | 2.7 (1.2) | 1.6 (0.7) | Optoma™ EzPro 755 | 4.75 (121) | 3.10 (79) | 3.60 (91) |
| PJF2-126 | 12.75 x 9.5 x 2.5 (324 x 241 x 64) | 4.0 (1.8) | 3.4 (1.5) | Acer® VP110X, VP150X | 7.50 (191) | 2.75 (70) | 1.13 (29) |
| PJF2-127 | 12.75 x 9.5 x 2.5 (324 x 241 x 64) | 2.8 (1.3) | 2.3 (1.0) | NEC Mitsubishi™ XD200U | 5.13 (130) | 2.75 (70) | 4.63 (117) |
| PJF2-128 | 12.25 x 9.625 x 4 (311 x 244 x 102) | 3.1 (1.4) | 2.9 (1.3) | Sony™ VPL-CX3 | 4.75 (121) | 1.63 (41) | 1.75 (44) |
| PJF2-130 | 12.75 x 9.5 x 2.5 (324 x 241 x 64) | 3.7 (1.7) | 2.4 (1.1) | Hitachi® CP-SX5500W | 6.25 (159) | 3.50 (89) | 0.75 (19) |
| PJF2-131 | 12.75 x 9.5 x 2.5 (324 x 241 x 64) | 3.0 (1.4) | 1.7 (0.8) | InFocus® LP790 | 8.00 (203) | 2.80 (71) | 2.25 (57) |
| PJF2-133 | 14.5 x 13.125 x 1.625 (368 x 333 x 41) | 3.7 (1.7) | 2.3 (1.0) | Hitachi® CP-X990W | 8.25 (210) | 3.75 (95) | 1.00 (25) |
| PJF2-134 | 12.75 x 9.5 x 2.5 (324 x 241 x 64) | 2.9 (1.3) | 1.6 (0.7) | Panasonic® PT-AE100 | 4.50 (114) | 2.50 (64) | 2.60 (66) |
| PJF2-136 | 12.75 x 9.5 x 2.5 (324 x 241 x 64) | 2.6 (1.2) | 2.1 (1.0) | Boxlight® CP-775i | 3.00 (76) | 3.25 (83) | 2.88 (73) |
| PJF2-139 | 12.75 x 9.5 x 2.5 (324 x 241 x 64) | 2.2 (1.0) | 1.7 (0.8) | BenQ 7765PA | 4.00 (102) | 2.50 (64) | 2.75 (70) |
| PJF2-140 | 12.75 x 9.5 x 2.5 (324 x 241 x 64) | 2.1 (1.0) | 1.6 (0.7) | Sharp™ PG-M20X | 5.50 (140) | 1.80 (46) | 0.60 (15) |
| PJF2-141 | 18 x 13.125 x 1.5 (457 x 333 x 38) | 4.7 (2.1) | 4.1 (1.9) | Barco™ IQ-G300 | 8.50 (216) | 4.00 (102) | 2.00 (51) |
| PJF2-143 | 12.75 x 9.5 x 2.5 (324 x 241 x 64) | 2.4 (1.1) | 2.0 (0.9) | PLUS™ U2-X2000 | 6.50 (165) | 2.50 (64) | 2.38 (60) |
| PJF2-144 | 12.75 x 9.5 x 2.5 (324 x 241 x 64) | 2.3 (1.0) | 1.9 (0.9) | Panasonic® PT-LZ20U | 5.88 (149) | 3.13 (79) | 0.13 (3) |
| PJF2-145 | 12.75 x 9.5 x 2.5 (324 x 241 x 64) | 2.4 (1.1) | 2.0 (0.9) | Epson™ PowerLite 720c | 3.25 (83) | 2.50 (64) | 2.25 (57) |

TECHNICAL DATA SHEET

MODELS: PJF2 Series

| Model# | Carton Dimensions | Shipping Weight | Product Weight | Manufacturer Model | Dimensions | | |
|----------|-------------------------|-----------------|----------------|--------------------------------------|------------|-------|-------|
| | | | | | X | Y | Z |
| PJF2-150 | 12.75 x 9.5 x 2.5 | 3.7 | 3.3 | Sony™ | 4.50 | 2.50 | 3.25 |
| | (324 x 241 x 64) | (1.7) | (1.5) | VPL-CS5 | (114) | (64) | (83) |
| PJF2-151 | 12.75 x 9.5 x 2.5 | 2.7 | 2.0 | Boxlight® | 3.63 | 3.13 | 3.38 |
| | (324 x 241 x 64) | (1.2) | (0.9) | CD-725C | (92) | (79) | (86) |
| PJF2-152 | 12.75 x 9.5 x 2.5 | 2.7 | 2.3 | BenQ | 3.63 | 3.63 | 3.38 |
| | (324 x 241 x 64) | (1.2) | (1.0) | DS650, DS660, DX650, DX660 | (92) | (92) | (86) |
| PJF2-153 | 12.75 x 9.5 x 2.5 | 2.4 | 1.9 | Sharp® | 5.38 | 4.00 | 3.25 |
| | (324 x 241 x 64) | (1.1) | (0.9) | Notevision XG-C50X | (137) | (102) | (83) |
| PJF2-154 | 13.375 x 12.75 x 1.6875 | 3.8 | 3.2 | Mitsubishi™ | 4.38 | 4.50 | 3.13 |
| | (340 x 324 x 43) | (1.7) | (1.5) | XL30 ColorView | (111) | (114) | (79) |
| PJF2-156 | 12.75 x 9.5 x 2.5 | 2.6 | 2.1 | Yokogawa | 3.50 | 3.50 | 3.25 |
| | (324 x 241 x 64) | (1.2) | (1.0) | D-2300X | (89) | (89) | (83) |
| PJF2-157 | 15.125 x 15.125 x 7.125 | 4.5 | 3.5 | NEC™ | 5.00 | 3.25 | 3.00 |
| | (384 x 384 x 181) | (2.0) | (1.6) | MT1065 | (127) | (83) | (76) |
| PJF2-158 | 12.75 x 9.5 x 2.5 | 2.7 | 1.7 | Dell™ 3300MP and | 2.00 | 2.25 | 2.25 |
| | (324 x 241 x 64) | (1.2) | (0.8) | Hewlett-Packard® xb31, sb21 | (51) | (57) | (57) |
| PJF2-159 | 12.75 x 9.5 x 2.5 | 3.7 | 3.4 | Toshiba™ | 4.60 | 2.50 | 3.00 |
| | (324 x 241 x 64) | (1.7) | (1.5) | TLP-790U, TLP-780U, TLP-380, TLP-780 | (117) | (64) | (76) |
| PJF2-160 | 12.75 x 9.5 x 2.5 | 2.4 | 2.0 | Boxlight® | 6.25 | 2.50 | 3.75 |
| | (324 x 241 x 64) | (1.1) | (0.9) | CD-850m | (159) | (64) | (95) |
| PJF2-161 | 12.75 x 9.5 x 2.5 | 2.6 | 2.1 | Epson™ | 4.25 | 2.25 | 3.25 |
| | (324 x 241 x 64) | (1.2) | (1.0) | PowerLite 30c | (108) | (57) | (83) |
| PJF2-162 | 12.75 x 9.5 x 2.5 | 2.5 | 2.0 | NEC™ | 5.88 | 3.75 | 2.25 |
| | (324 x 241 x 64) | (1.1) | (0.9) | LT260 | (149) | (95) | (57) |
| PJF2-163 | 12.75 x 9.5 x 2.5 | 2.3 | 1.8 | Panasonic® | 7.00 | 3.00 | 0.50 |
| | (324 x 241 x 64) | (1.0) | (0.8) | PT-L750U | (178) | (76) | (13) |
| PJF2-164 | 12.75 x 9.5 x 2.5 | 3.2 | 2.7 | JVC® | 6.75 | 4.00 | 3.25 |
| | (324 x 241 x 64) | (1.5) | (1.2) | DLA-SX21 | (171) | (102) | (83) |
| PJF2-165 | 12.75 x 9.5 x 2.5 | 3.2 | 2.7 | TransVision™ | 7.60 | 7.30 | 0.13 |
| | (324 x 241 x 64) | (1.5) | (1.2) | TV2 | (193) | (185) | (3) |
| PJF2-166 | 12.75 x 9.5 x 2.5 | 3.0 | 2.5 | Sharp™ | 7.50 | 3.00 | 0.00 |
| | (324 x 241 x 64) | (1.4) | (1.1) | DT-200 | (191) | (76) | 0 |
| PJF2-167 | 12.75 x 9.5 x 2.5 | 2.4 | 1.9 | Hitachi® | 4.00 | 2.25 | 2.38 |
| | (324 x 241 x 64) | (1.1) | (0.9) | CP-X327W | (102) | (57) | (60) |
| PJF2-168 | 12.75 x 9.5 x 2.5 | 2.4 | 1.9 | Optoma™ | 4.63 | 2.63 | 3.25 |
| | (324 x 241 x 64) | (1.1) | (0.9) | EzPro 737 | (117) | (67) | (83) |
| PJF2-169 | 12.75 x 9.5 x 2.5 | 2.7 | 1.9 | Boxlight® | 4.50 | 2.25 | 2.00 |
| | (324 x 241 x 64) | (1.2) | (0.9) | Matinee 1HD | (114) | (57) | (51) |
| PJF2-170 | 12.75 x 9.5 x 2.5 | 2.5 | 2.1 | InFocus® | 6.25 | 2.88 | 3.75 |
| | (324 x 241 x 64) | (1.1) | (1.0) | ScreenPlay 7200 | (159) | (73) | (95) |
| PJF2-171 | 12.75 x 9.5 x 2.5 | 2.7 | 2.3 | Sony™ | 5.00 | 4.13 | 3.50 |
| | (324 x 241 x 64) | (1.2) | (1.0) | VPL-PX40 SuperBright | (127) | (105) | (89) |
| PJF2-173 | 12.75 x 9.5 x 2.5 | 2.2 | 1.8 | Sony™ | 5.50 | 4.00 | 0.00 |
| | (324 x 241 x 64) | (1.0) | (0.8) | VPL-HS10 | (140) | (102) | 0 |
| PJF2-174 | 12.75 x 9.5 x 2.5 | 2.3 | 1.8 | InFocus® | 5.25 | 3.50 | 2.50 |
| | (324 x 241 x 64) | (1.0) | (0.8) | X1 | (133) | (89) | (64) |
| PJF2-175 | 12.75 x 9.5 x 2.5 | 2.6 | 1.9 | Proxima® | 5.50 | 2.13 | 1.25 |
| | (324 x 241 x 64) | (1.2) | (0.9) | DP2000x | (140) | (54) | (32) |
| PJF2-176 | 12.75 x 9.5 x 2.5 | 3.6 | 2.5 | Toshiba™ | 3.80 | 2.25 | 3.00 |
| | (324 x 241 x 64) | (1.6) | (1.1) | TLP-S30U | (97) | (57) | (76) |
| PJF2-177 | 14.5 x 13.125 x 1.625 | 4.6 | 3.6 | Sanyo™ PLC-XT10 & PLC-XT15 and | 7.88 | 4.25 | 0.75 |
| | (368 x 333 x 41) | (2.1) | (1.6) | Philips™ ProScreen PXG30 | (200) | (108) | (19) |
| PJF2-178 | 12.75 x 9.5 x 2.5 | 2.6 | 2.3 | Hitachi® | 6.00 | 2.88 | 2.88 |
| | (324 x 241 x 64) | (1.2) | (1.0) | CP-X885 | (152) | (73) | (73) |
| PJF2-179 | 12.75 x 9.5 x 2.5 | 2.4 | 1.9 | Epson™ | 3.38 | 6.50 | 2.88 |
| | (324 x 241 x 64) | (1.1) | (0.9) | Powerlite 53C | (86) | (165) | (73) |
| PJF2-180 | 12.75 x 9.5 x 2.5 | 2.8 | 2.4 | Panasonic™ | 4.25 | 2.00 | 2.88 |
| | (324 x 241 x 64) | (1.3) | (1.1) | PT-LC56U | (108) | (51) | (73) |
| PJF2-181 | 12.75 x 9.5 x 2.5 | 2.1 | 1.6 | Sony™ | 5.63 | 3.00 | 0.00 |
| | (324 x 241 x 64) | (1.0) | (0.7) | VPL-HS2 Cineza | (143) | (76) | 0 |
| PJF2-182 | 14.5 x 13.125 x 1.625 | 3.8 | 3.3 | Yamaha® | 4.88 | 3.25 | 4.25 |
| | (368 x 333 x 41) | (1.7) | (1.5) | LPX-500 | (124) | (83) | (108) |
| PJF2-183 | 12.75 x 9.5 x 2.5 | 2.2 | 1.7 | Boxlight® | 5.50 | 1.95 | 1.25 |
| | (324 x 241 x 64) | (1.0) | (0.8) | SP-45m and XP-55m | (140) | (50) | (32) |
| PJF2-184 | 12.75 x 9.5 x 2.5 | 2.3 | 1.8 | Philips™ | 5.88 | 3.00 | 1.00 |
| | (324 x 241 x 64) | (1.0) | (0.8) | bSure LC6231 and LC7181 | (149) | (76) | (25) |
| PJF2-185 | 12.75 x 9.5 x 2.5 | 2.2 | 1.8 | Boxlight® | 5.75 | 2.68 | 1.00 |
| | (324 x 241 x 64) | (1.0) | (0.8) | SP-46d and XP-56d | (146) | (68) | (25) |
| PJF2-186 | 12.75 x 9.5 x 2.5 | 2.6 | 2.2 | Sharp® | 3.75 | 2.50 | 2.75 |
| | (324 x 241 x 64) | (1.2) | (1.0) | Notevision PG-A10X | (95) | (64) | (70) |

TECHNICAL DATA SHEET

MODELS: PJF2 Series

| Model# | Carton Dimensions | Shipping Weight | Product Weight | Manufacturer Model | Dimensions | | |
|----------|-----------------------|-----------------|----------------|--------------------|------------|-------|-------|
| | | | | | X | Y | Z |
| PJF2-187 | 12.75 x 9.5 x 2.5 | 2.6 | 2.1 | BenQ® | 4.25 | 3.50 | 1.75 |
| | (324 x 241 x 64) | (1.2) | (1.0) | PE 8700 | (108) | (89) | (44) |
| PJF2-188 | 12.75 x 9.5 x 2.5 | 3.6 | 2.2 | BenQ® | 3.50 | 3.00 | 2.75 |
| | (324 x 241 x 64) | (1.6) | (1.0) | PB8220 | (89) | (76) | (70) |
| PJF2-189 | 12.75 x 9.5 x 2.5 | 2.6 | 2.1 | Toshiba™ | 3.25 | 2.50 | 2.50 |
| | (324 x 241 x 64) | (1.2) | (1.0) | TDP-D1 | (83) | (64) | (64) |
| PJF2-190 | 12.75 x 9.5 x 2.5 | 3.6 | 2.7 | BenQ® | 4.00 | 3.38 | 2.25 |
| | (324 x 241 x 64) | (1.6) | (1.2) | PB6100 | (102) | (86) | (57) |
| PJF2-191 | 12.75 x 9.5 x 2.5 | 3.6 | 2.4 | Toshiba™ | 5.00 | 2.75 | 2.38 |
| | (324 x 241 x 64) | (1.6) | (1.1) | TLP-T720 | (127) | (70) | (60) |
| PJF2-192 | 12.75 x 9.5 x 2.5 | 3.6 | 2.4 | Proxima® | 4.00 | 2.38 | 2.50 |
| | (324 x 241 x 64) | (1.6) | (1.1) | UltraLight DS2 | (102) | (60) | (64) |
| PJF2-192 | 14.5 x 6.5 x 4 | 3.6 | 2.7 | LG | 2.88 | 1.75 | 0.75 |
| | (368 x 165 x 102) | (1.6) | (1.2) | RD-JT31 | (73) | (44) | (19) |
| PJF2-193 | 12.75 x 9.5 x 2.5 | 3.6 | 2.2 | Immersive | 5.00 | 4.25 | 2.38 |
| | (324 x 241 x 64) | (1.6) | (1.0) | Virtuoso HT720 | (127) | (108) | (60) |
| PJF2-194 | 12.75 x 9.5 x 2.5 | 3.6 | 3.0 | Sim2 | 4.75 | 5.00 | 3.00 |
| | (324 x 241 x 64) | (1.6) | (1.4) | HT 300 | (121) | (127) | (76) |
| PJF2-195 | 12.75 x 9.5 x 2.5 | 3.6 | 2.6 | Panasonic™ | 6.50 | 3.00 | 1.00 |
| | (324 x 241 x 64) | (1.6) | (1.2) | PT-L735NTU | (165) | (76) | (25) |
| PJF2-196 | 14.5 x 13.125 x 1.625 | 4.6 | 3.9 | Epson™ | 6.00 | 3.13 | 3.25 |
| | (368 x 333 x 141) | (2.1) | (1.8) | PowerLite 7800p | (152) | (79) | (83) |
| PJF2-197 | 12.75 x 9.5 x 2.5 | 2.6 | 1.7 | Boxlight® | 3.25 | 1.75 | 1.50 |
| | (324 x 241 x 64) | (1.2) | (0.8) | XD-16n | (83) | (44) | (38) |
| PJF2-198 | 12.75 x 9.5 x 2.5 | 2.6 | 1.9 | Digital Projection | 5.00 | 2.63 | 3.50 |
| | (324 x 241 x 64) | (1.2) | (0.9) | iVision | (127) | (67) | (89) |
| PJF2-199 | 12.75 x 9.5 x 2.5 | 2.6 | 2.1 | NEC™ | 5.13 | 2.50 | 0.13 |
| | (324 x 241 x 64) | (1.2) | (1.0) | LT170 | (130) | (64) | (3) |
| PJF2-201 | 12.75 x 9.5 x 2.5 | 3.6 | 2.6 | NEC™ | 5.00 | 0.50 | 0.00 |
| | (324 x 241 x 64) | (1.6) | (1.2) | WT600 | (127) | (13) | 0 |
| PJF2-202 | 12.75 x 9.5 x 2.5 | 3.6 | 2.6 | Boxlight® | 5.63 | 3.01 | 3.50 |
| | (324 x 241 x 64) | (1.6) | (1.2) | MP-60e | (143) | (76) | (89) |
| PJF2-203 | 12.75 x 9.5 x 2.5 | 2.8 | 2.2 | Optoma™ | 6.00 | 3.50 | 4.75 |
| | (324 x 241 x 64) | (1.3) | (1.0) | H76 | (152) | (89) | (121) |
| PJF2-204 | 12.75 x 9.5 x 2.5 | 2.8 | 2.3 | Epson™ | 5.00 | 3.25 | 3.50 |
| | (324 x 241 x 64) | (1.3) | (1.0) | PowerLite 10 | (127) | (83) | (89) |
| PJF2-205 | 12.75 x 9.5 x 2.5 | 2.7 | 2.3 | Dukane | 4.75 | 2.63 | 0.38 |
| | (324 x 241 x 64) | (1.2) | (1.0) | ImagePro 8742 | (121) | (67) | (10) |
| PJF2-206 | 12.75 x 9.5 x 2.5 | 3.6 | 2.6 | Boxlight® | 7.88 | 4.05 | 0.75 |
| | (324 x 241 x 64) | (1.6) | (1.2) | MP-56t | (200) | (103) | (19) |
| PJF2-207 | 12.75 x 9.5 x 2.5 | 2.4 | 2.0 | NEC™ | 4.75 | 3.00 | 2.88 |
| | (324 x 241 x 64) | (1.6) | (1.2) | VT660 | (121) | (76) | (73) |
| PJF2-208 | 12.75 x 9.5 x 2.5 | 3.0 | 2.5 | NEC™ | 4.75 | 3.00 | 3.25 |
| | (324 x 241 x 64) | (1.4) | (1.1) | VT770 | (121) | (76) | (83) |
| PJF2-208 | 14.5 x 13.125 x 1.625 | 3.1 | 2.7 | Epson® | 5.75 | 2.60 | 3.00 |
| | (368 x 333 x 141) | (1.4) | (1.2) | EMP-TW200 | (146) | (66) | (76) |
| PJF2-209 | 12.75 x 9.5 x 2.5 | 2.4 | 2.0 | Sanyo™ | 4.50 | 3.00 | 3.25 |
| | (324 x 241 x 64) | (1.1) | (0.9) | PLC-SU50 | (114) | (76) | (83) |
| PJF2-210 | 12.75 x 9.5 x 2.5 | 3.0 | 2.5 | Proxima™ | 5.63 | 3.75 | 3.00 |
| | (324 x 241 x 64) | (1.4) | (1.1) | DP4800x | (143) | (95) | (76) |
| PJF2-211 | 12.75 x 9.5 x 2.5 | 2.8 | 2.3 | Mitsubishi™ | 4.75 | 2.63 | 2.19 |
| | (324 x 241 x 64) | (1.3) | (1.0) | XL8U | (121) | (67) | (56) |
| PJF2-212 | 12.75 x 9.5 x 2.5 | 2.3 | 1.9 | Studio Experience® | 4.50 | 3.13 | 2.63 |
| | (324 x 241 x 64) | (1.0) | (0.9) | Matinee 2HD | (114) | (79) | (67) |
| PJF2-213 | 12.75 x 9.5 x 2.5 | 3.3 | 2.9 | Sanyo™ | 4.50 | 3.38 | 2.63 |
| | (324 x 241 x 64) | (1.5) | (1.3) | PLV-Z2 | (114) | (86) | (67) |
| PJF2-214 | 12.75 x 9.5 x 2.5 | 2.4 | 1.9 | Toshiba™ | 5.75 | 2.75 | 2.63 |
| | (324 x 241 x 64) | (1.1) | (0.9) | TLP-ET1 | (146) | (70) | (67) |
| PJF2-215 | 21.063 x 18.063 x 1.5 | 5.8 | 4.0 | Mitsubishi™ | 6.63 | 3.75 | 2.38 |
| | (535 x 459 x 38) | (2.6) | (1.8) | XL5950U | (168) | (95) | (60) |
| PJF2-216 | 10 x 9.25 x 1 | 2.2 | 1.8 | Boxlight® | 4.25 | 2.88 | 3.50 |
| | (254 x 235 x 25) | (1.0) | (0.8) | CD-726c | (108) | (73) | (89) |
| PJF2-217 | 10 x 9.25 x 1 | 2.8 | 2.4 | Boxlight® | 4.25 | 3.25 | 3.50 |
| | (254 x 235 x 25) | (1.3) | (1.1) | CD-726c | (108) | (83) | (89) |
| PJF2-218 | 12.75 x 9.5 x 2.5 | 3.2 | 2.8 | MAXX | N/A | N/A | N/A |
| | (324 x 241 x 64) | (1.5) | (1.3) | 1400.0 | | | |
| PJF2-219 | 14.5 x 13.125 x 1.625 | 2.6 | 2.2 | MAXX | N/A | N/A | N/A |
| | (368 x 333 x 141) | (1.2) | (1.0) | Mustang | | | |
| PJF2 220 | 12.75 x 9.5 x 2.5 | 2.7 | 2.3 | InFocus® | 4.00 | 2.38 | 2.40 |
| | (324 x 241 x 64) | (1.2) | (1.0) | LP600 | (102) | (60) | (61) |

TECHNICAL DATA SHEET

MODELS: PJF2 Series

| Model# | Carton Dimensions | Shipping Weight | Product Weight | Manufacturer Model | Dimensions | | |
|-----------------|--|-----------------|----------------|------------------------------------|---------------|---------------|---------------|
| | | | | | X | Y | Z |
| PJF2 221 | 12.75 x 9.5 x 2.5 (324 x 241 x 64) | 2.9 (1.3) | 2.4 (1.1) | InFocus® LP540 | 6.38 (162) | 2.13 (54) | 2.94 (75) |
| PJF2 222 | 12.75 x 9.5 x 2.5 (324 x 241 x 64) | 2.3 (1.0) | 1.8 (0.8) | Mitsubishi™ XD50U | 4.75 (121) | 1.94 (49) | 2.13 (54) |
| PJF2 223 | 12.75 x 9.5 x 2.5 (324 x 241 x 64) | 2.7 (1.2) | 2.3 (1.0) | Panasonic® PT-LM1U | 3.63 (92) | 2.13 (54) | 2.50 (64) |
| PJF2 224 | 12.75 x 9.5 x 2.5 (324 x 241 x 64) | 3.6 (1.6) | 3.1 (1.4) | Sanyo™ PLC-XU60 | 4.75 (121) | 3.75 (95) | 3.81 (97) |
| PJF2 225 | 12.75 x 9.5 x 2.5 (324 x 241 x 64) | 2.5 (1.1) | 2.1 (1.0) | LG RL-JA20 | 6.25 (159) | 3.00 (76) | 0.75 (19) |
| PJF2 226 | 12.75 x 9.5 x 2.5 (324 x 241 x 64) | 3.3 (1.5) | 2.8 (1.3) | Primax PLZ-933 & PLZ-933W | 5.38 (137) | 3.25 (83) | 2.38 (60) |
| PJF2 227 | 12.75 x 9.5 x 2.5 (324 x 241 x 64) | 2.4 (1.1) | 1.9 (0.9) | Canon™ LV-S3 | 3.81 (97) | 2.56 (65) | 3.19 (81) |
| PJF2 228 | 12.75 x 9.5 x 2.5 (324 x 241 x 64) | 2.4 (1.1) | 2.0 (0.9) | Viewsonic™ PJ250 | 3.50 (89) | 2.00 (51) | 2.00 (51) |
| PJF2 229 | 12.75 x 9.5 x 2.5 (324 x 241 x 64) | 2.7 (1.2) | 2.2 (1.0) | Viewsonic™ PJ750 | 4.63 (118) | 2.75 (70) | 2.75 (70) |
| PJF2 230 | 12.75 x 9.5 x 2.5 (324 x 241 x 64) | 2.3 (1.0) | 1.8 (0.8) | Boxlight® CP-325m | 6.38 (162) | 1.81 (46) | 2.94 (75) |
| PJF2 231 | 12.75 x 9.5 x 2.5 (324 x 241 x 64) | 2.5 (1.1) | 2.0 (0.9) | Boxlight® SP-48z | 5.38 (137) | 2.50 (64) | 1.50 (38) |
| PJF2 232 | 12.75 x 9.5 x 2.5 (324 x 241 x 64) | 2.7 (1.2) | 2.3 (1.0) | Hitachi® CP-S235 | 4.06 (103) | 3.25 (83) | 3.00 (76) |
| PJF2 233 | 12.75 x 9.5 x 2.5 (324 x 241 x 64) | 2.8 (1.3) | 2.3 (1.0) | NEC™ VT47 | 5.75 (146) | 3.13 (80) | 2.63 (67) |
| PJF2 234 | 12.75 x 9.5 x 2.5 (324 x 241 x 64) | 2.5 (1.1) | 2.1 (1.0) | PLUS™ U5-232 | 5.25 (133) | 2.38 (60) | 2.13 (54) |
| PJF2 235 | 12.75 x 9.5 x 2.5 (324 x 241 x 64) | 2.8 (1.3) | 2.3 (1.0) | Epson™ PowerLite 81P | 3.50 (89) | 3.00 (76) | 3.63 (92) |
| PJF2 236 | 12.75 x 9.5 x 2.5 (324 x 241 x 64) | 2.8 (1.3) | 2.3 (1.0) | Hitachi® PJTX100 | 3.50 (89) | 3.00 (76) | 3.63 (92) |
| PJF2 237 | 12.75 x 9.5 x 2.5 (324 x 241 x 64) | 2.4 (1.1) | 2.0 (0.9) | Sony™ VPL-DS100 | 4.89 (124) | 2.48 (63) | 2.13 (54) |
| PJF2 238 | 12.75 x 9.5 x 2.5 (324 x 241 x 64) | 2.6 (1.1) | 2.2 (0.9) | NEC™ HT410 | 6.50 (165) | 3.13 (80) | 1.63 (41) |
| | | | | NEC™ HTOEM | 5.75 (146) | 3.13 (80) | 1.63 (41) |
| | | | | Sony™ VPL-CX70 | 4.38 (111) | 2.38 (60) | 2.25 (57) |
| PJF2 239 | 12.75 x 9.5 x 2.5 (324 x 241 x 64) | 2.5 (1.1) | 2.0 (0.9) | Sony™ VPL-CX70 | 4.38 (111) | 2.38 (60) | 2.25 (57) |
| PJF2 240 | 12.75 x 9.5 x 2.5 (324 x 241 x 64) | 2.2 (1.0) | 1.7 (0.8) | Optoma™ EzPro 739 | 3.00 (76) | 3.00 (76) | 2.50 (64) |
| PJF2 241 | 12.75 x 9.5 x 2.5 (324 x 241 x 64) | 2.6 (1.2) | 2.2 (1.0) | Hitachi® CP-S335 | 4.38 (111) | 2.50 (64) | 3.00 (76) |
| PJF2 242 | 12.75 x 9.5 x 2.5 (324 x 241 x 64) | 3.1 (1.4) | 2.7 (1.2) | Mitsubishi® XD450U | 4.69 (119) | 2.88 (73) | 0.00 0 |
| PJF2 243 | 12.75 x 9.5 x 2.5 (324 x 241 x 64) | 3.1 (1.4) | 2.7 (1.2) | Toshiba® TDP-T90U | 5.13 (130) | 3.00 (76) | 3.63 (92) |
| PJF2 244 | 12.75 x 9.5 x 2.5 (324 x 241 x 64) | 2.9 (1.3) | 2.4 (1.1) | Sharp™ XG-MB70X | 5.13 (130) | 3.00 (76) | 3.63 (92) |
| PJF2 245 | 12.25 x 9.625 x 4.0 (311 x 244 x 102) | 3.9 (1.8) | 3.2 (1.5) | Yamaha™ LPX-510 | 5.63 (143) | 3.63 (92) | 3.00 (76) |
| PJF2 246 | 12.75 x 9.5 x 2.5 (324 x 241 x 64) | 2.7 (1.2) | 2.2 (1.0) | Sony™ VPL-HS51 | 7.13 (181) | 3.75 (95) | 2.38 (60) |
| PJF2 247 | 12.75 x 9.5 x 2.5 (324 x 241 x 64) | 2.8 (1.3) | 2.3 (1.0) | Hitachi® CP-X445 | 4.63 (118) | 3.00 (76) | 2.75 (70) |
| PJF2 248 | 12.75 x 9.5 x 2.5 (324 x 241 x 64) | 2.2 (1.0) | 1.7 (0.8) | BenQ™ PB2240 | 3.75 (95) | 2.25 (57) | 2.00 (51) |
| PJF2 249 | 12.75 x 9.5 x 2.5 (324 x 241 x 64) | 3.0 (1.4) | 2.5 (1.1) | Toshiba™ TDP-S20 | 5.75 (146) | 3.00 (76) | 3.13 (80) |
| PJF2 250 | 12.75 x 9.5 x 2.5 (324 x 241 x 64) | 2.4 (1.1) | 1.9 (0.9) | Studio Experience™ Premier 30HD | 6.25 (159) | 4.25 (108) | 1.75 (44) |
| PJF2 251 | 14.5 x 13.13 x 1.63 (368 x 333 x 41) | 4.4 (2.0) | 4.0 (1.8) | Epson™ Powerlite 8300i | 8.88 (226) | 4.50 (114) | 1.25 (32) |
| PJF2 252 | 12.75 x 9.5 x 2.5 (324 x 241 x 64) | 2.2 (1.0) | 1.7 (0.8) | Dell™ 4100MP | 4.75 (121) | 3.00 (76) | 4.50 (114) |
| PJF2 254 | 12.75 x 9.5 x 2.5 (324 x 241 x 64) | 2.9 (1.3) | 2.4 (1.1) | Cannon™ Realis SX50 | 6.13 (156) | 2.75 (70) | 2.56 (65) |
| PJF2 255 | 12.75 x 9.5 x 2.5 (324 x 241 x 64) | 2.3 (1.0) | 1.8 (0.8) | Optoma™ Ez Pro 759 | 5.70 (145) | 4.20 (107) | 4.20 (107) |

TECHNICAL DATA SHEET

MODELS: PJF2 Series

| Model# | Carton Dimensions | Shipping Weight | Product Weight | Manufacturer Model | Dimensions | | |
|-----------------------|---|-----------------|----------------|---|-----------------|----------------|---------------|
| | | | | | X | Y | Z |
| PJF2 256 | 12.75 x 9.5 x 2.5 (324 x 241 x 64) | 2.3 (1.0) | 1.8 (0.8) | NEC™ LT10 | 3.25 (83) | 2.13 (54) | 2.00 (51) |
| PJF2 257 | 12.75 x 9.5 x 2.5 (324 x 241 x 64) | 2.5 (1.1) | 2.1 (1.0) | Epson™ PowerLite 745c | 3.63 (92) | 2.38 (60) | 2.63 (67) |
| PJF2 258 | 12.75 x 9.5 x 2.5 (324 x 241 x 64) | 2.5 (1.1) | 2.1 (1.0) | Epson™ Powerlite S3 | 3.25 (83) | 2.25 (57) | 3.50 (89) |
| PJF2 259 | 12.75 x 9.5 x 2.5 (324 x 241 x 64) | 3.0 (1.4) | 2.6 (1.2) | Sharp™ XG-PH50X | 7.38 (187) | 4.38 (111) | 3.00 (76) |
| PJF2 260 | 21 x 16.5 x 3.5 (533 x 419 x 89) | 5.6 (2.5) | 4.6 (2.1) | Sanyo™ PLC-XT16 | 8.00 (203) | 4.50 (114) | 0.75 (19) |
| PJF2 261 | 12.25 x 9.63 x 4 (311 x 244 x 102) | 3.6 (1.6) | 1.6 (0.7) | Panasonic® PT-LB30U | 4.50 (114) | 2.75 (70) | 3.50 (89) |
| PJF2 262 | 14.5 x 13.13 x 1.63 (368 x 333 x 41) | 4.3 2.0 | 3.9 1.8 | BenQ PE7700 | 6.00 (152) | 3.20 (81) | 3.70 (94) |
| PJF2 263 | 12.75 x 9.50 x 2.50 (324 x 241 x 64) | 3.1 (1.4) | 1.6 (0.7) | Hewlett-Packard® XP8020 | 7.00 (178) | 4.00 (102) | 4.50 (114) |
| PJF2 264 | 12.75 x 9.50 x 2.50 (324 x 241 x 64) | 3.1 (1.4) | 2.6 (1.2) | Sharp™ XR-20X | 7.00 (178) | 3.25 (83) | 3.25 (83) |
| PJF2 265 | 12.75 x 9.50 x 2.50 (324 x 241 x 64) | 3.1 (1.4) | 2.6 (1.2) | NEC™ LT35 | 5.00 (127) | 2.83 (72) | 3.25 (83) |
| PJF2 266 | 12.75 x 9.50 x 2.50 (324 x 241 x 64) | 3.0 (1.4) | 2.6 (1.2) | Hitachi™ CP-RS55 | 3.13 (80) | 2.38 (60) | 3.13 (80) |
| PJF2 267 | 12.75 x 9.50 x 2.50 (324 x 241 x 64) | 3.2 (1.5) | 2.7 (1.2) | NEC™ VT48 | 5.13 (130) | 3.19 (81) | 3.25 (83) |
| PJF2 268 | 12.75 x 9.50 x 2.50 (324 x 241 x 64) | 3.2 (1.5) | 3.7 (1.7) | Panasonic™ PT-D3500U | 8.56 (217) | 4.25 (108) | 0.00 0 |
| PJF2 269 | 14.5 x 13.13 x 1.63 (368 x 333 x 41) | 4.5 (2.0) | 4.9 (2.2) | NEC™ NP1000 | 7.00 (178) | 4.00 (102) | 3.50 (89) |
| PJF2 270 | 12.75 x 9.50 x 2.50 (324 x 241 x 64) | 3.3 (1.5) | 2.8 (1.3) | Eiki™ LC-XB23 | 3.88 (99) | 2.75 (70) | 3.13 (80) |
| PJF2 271 | 12.75 x 9.50 x 2.50 (324 x 241 x 64) | 3.4 (1.5) | 2.9 (1.3) | Sanyo PLZ-Z4 | 5.50 (140) | 3.00 (76) | 2.50 (64) |
| PJF2 273 | 12.75 x 9.50 x 2.50 (324 x 241 x 64) | 2.7 (1.2) | 2.2 (1.0) | Optoma EP 719 | 5.00 (127) | 3.50 (89) | 2.50 (64) |
| PJF2 274 | 12.75 x 9.50 x 2.50 (324 x 241 x 64) | 3.1 (1.4) | 2.6 (1.2) | InFocus LP-820 | 7.13 (181) | 2.48 (63) | 3.25 (83) |
| PJF2 275 | 14.5 x 13.13 x 1.88 (368 x 334 x 48) | 4.3 (2.0) | 3.9 (1.8) | Mitsubishi™ XD2000U | 7.50 (191) | 4.63 (118) | 0.00 0 |
| PJF2 284 | 21.13 x 16.50 x 3.25 (537 x 419 x 83) | 7.2 (3.3) | 6.0 (2.7) | JVC™ DLA-HD10KS | 10.75 (273) | 6.38 (162) | 0.00 0 |
| PJF2 286 | 12.75 x 9.50 x 2.50 (324 x 241 x 64) | 3.3 (1.5) | 2.8 (1.3) | Panasonic® PT-AX100U | 6.13 0 | 3.25 (83) | 4.38 (111) |
| PJF2 287 | 12.75 x 9.50 x 2.50 (324 x 241 x 64) | 2.9 (1.3) | 2.4 (1.1) | Sharp™ XG-C330X | 4.88 (124) | 4.25 (108) | 2.75 (70) |
| PJF2 288 | 12.75 x 9.50 x 2.50 (324 x 241 x 64) | 2.8 (1.3) | 2.3 (1.0) | Epson™ EMP-1705 | 3.13 (80) | 2 (51) | 2.63 (67) |
| PJF2 289 | 12.75 x 9.50 x 2.50 (324 x 241 x 64) | 2.0 (0.9) | 2.5 (1.1) | NEC™ NP60 | 4.59 (117) | 2.67 (68) | 2 (51) |
| PJF2 291 | 12.75 x 9.50 x 2.50 324 x 241 x 64 | 3.0 (1.4) | 2.5 (1.2) | Panasonic® PT-AE1000U | (6.25) (159) | (3.38) (86) | 0.00 0 |
| PJF2 292 | 12.75 x 9.5 x 2.5 324 x 241 x 64 | 3.2 (1.5) | 2.7 (1.2) | Canon™ SX6 | 7.25 (184) | 3.68 (93) | 2.00 (51) |
| PJF2 293 | 14.5 x 13.13 x 1.63 (368 x 334 x 41) | 4.8 (2.2) | 4.4 (2.0) | Eiki™ LC-XG250 | 8.75 (222) | 4.25 (108) | 0 0 |
| PJF2 294 | 14.5 x 13.13 x 1.63 (368 x 333 x 41) | 4.5 (2.0) | 4.0 (1.8) | Canon™ LV-7575 | 8.75 (222) | 4.25 (108) | 1.50 (38) |
| PJF2 296 | 14.5 x 13.125 x 1.625 (368 x 333 x 41) | 5.1 (2.3) | 4.6 (2.1) | JVC™ DLA-RS1 and DLA-HD1 | 8.78 (222) | 3.63 (92) | 0.00 0 |
| PJF2 297 | 12.75 x 9.50 x 2.50 (324 x 241 x 64) | 2.7 (1.2) | 2.4 (1.1) | Mitsubishi™ HC5000 | 12.75 (324) | 9.50 (241) | 2.50 (64) |
| PJF2 298 | 14.5 x 13.13 x 1.63 (368 x 333 x 41) | 3.9 (1.8) | 3.5 (1.6) | Panasonic® PT-F100NT, PT-FW100NTU and PT-F100U | 6.25 (159.0) | 3.25 (83.0) | 2.00 (51) |
| PJF2 BX1 | 12.75 x 9.5 x 2.5 (324 x 241 x 64) | 2.6 (1.2) | 2.0 (0.9) | Boxlight® CD-555M | 5.00 (127) | 6.00 (152) | 3.50 (89) |
| PJF2 BX2 | 12.75 x 9.5 x 2.5 (324 x 241 x 64) | 2.6 (1.2) | 2.0 (0.9) | Boxlight® CP-731i | 4.50 (114) | 6.00 (152) | 2.50 (64) |
| PJF2 BX3 | 12.75 x 9.5 x 2.5 (324 x 241 x 64) | 2.6 (1.2) | 1.9 (0.9) | Boxlight® SP5T | 7.00 (178) | 2.25 (57) | 1.00 (25) |
| PJF2 BX4 | 14.5 x 13.125 x 1.625 (368 x 333 x 41) | 4.6 (2.1) | 3.3 (1.5) | Boxlight® MP40T | 9.75 (248) | 3.25 (83) | 0.25 (6) |
| PJF2 BX5 | 12.75 x 9.5 x 2.5 (324 x 241 x 64) | 2.6 (1.2) | 1.8 (0.8) | Boxlight® XP-8T | 5.75 (146) | 2.25 (57) | 2.25 (57) |
| PJF2 EP2 | 12.75 x 9.5 x 2.5 (324 x 241 x 64) | 3.6 (1.6) | 2.7 (1.2) | Epson™ PowerLite 7700P | 8.00 (203) | 3.50 (89) | 1.75 (44) |
| PJF2 EP3 | 12.75 x 9.5 x 2.5 (324 x 241 x 64) | 2.6 (1.2) | 2.5 (1.1) | Epson™ PowerLite 50C | 4.75 (121) | 3.20 (81) | 3.00 (76) |
| PJF2 EPELP7300 | 13.5 x 11.75 x 1.5 (343 x 298 x 38) | 4.6 (2.1) | 3.1 (1.4) | Epson™ ELP7300 | 6.50 (165) | 1.50 (38) | 2.00 (51) |

TECHNICAL DATA SHEET

MODELS: PJF2 Series

| Model# | Carton Dimensions | Shipping Weight | Product Weight | Manufacturer Model | Dimensions | | |
|------------------------|---|-----------------|----------------|--|----------------|---------------|---------------|
| | | | | | X | Y | Z |
| PJF2 HT5 | 12.75 x 9.5 x 2.5 (324 x 241 x 64) | 3.6 (1.6) | 3.0 (1.4) | Hitachi® CP-X935W | 5.75 (146) | 1.88 (48) | 1.25 (32) |
| PJF2 HT7 | 14.5 x 13.125 x 1.625 (368 x 333 x 41) | 3.6 (1.6) | 3.3 (1.5) | Hitachi® CP-X960W & CP-S860W | 6.88 (175) | 2.21 (56) | 1.22 (31) |
| PJF2 HT8 | 12.75 x 9.5 x 2.5 (324 x 241 x 64) | 2.6 (1.2) | 2.1 (1.0) | Hitachi® CP-S220W, CP-X270, CP-S225W, CP-X275 | 4.00 (102) | 1.50 (38) | 2.00 (51) |
| PJF2 HTEE | 12.75 x 9.5 x 2.5 (324 x 241 x 64) | 3.0 (1.4) | 2.5 (1.1) | Hitachi® SRC-101 | 7.31 (186) | 5.25 (133) | 4.75 (121) |
| PJF2 HUG1000 | 12.75 x 9.5 x 2.5 (324 x 241 x 64) | 5.6 (2.5) | 4.6 (2.1) | Hughes™ JVCG1000 | 8.00 (203) | 4.50 (114) | 3.00 (76) |
| PJF2 IF5 | 14.5 x 13.125 x 1.625 (368 x 333 x 41) | 4.6 (2.1) | 3.7 (1.7) | InFocus® LP770 | N/A | N/A | N/A |
| PJF2 IF6 | 14.5 x 13.125 x 1.625 (368 x 333 x 41) | 4.4 (2.0) | 3.2 (1.5) | InFocus® IOPEN 920 | 10.38 (264) | 7.75 (197) | 2.88 (73) |
| PJF2 MIT1 | 12.75 x 9.5 x 2.5 (324 x 241 x 64) | 3.6 (1.6) | 2.3 (1.0) | Mitsubishi™ X50, X70 & S50 | 6.50 (165) | 1.00 (25) | 1.50 (38) |
| PJF2 MIT2 | 13.5 x 11.75 x 1.5 (343 x 298 x 38) | 4.6 (2.1) | 4.2 (1.9) | Mitsubishi™ X400 | 7.00 (178) | 1.25 (32) | 3.00 (76) |
| PJF2 NC1 | 12.75 x 9.5 x 2.5 (324 x 241 x 64) | 3.6 (1.6) | 1.8 (0.8) | NEC™ LT140 | 6.50 (165) | 2.00 (51) | 2.50 (64) |
| PJF2 NC2 | 12.75 x 9.5 x 2.5 (324 x 241 x 64) | 3.6 (1.6) | 2.5 (1.1) | NEC™ MT840 | 7.13 (181) | 3.18 (81) | 1.90 (48) |
| PJF2 NC3 | 12.75 x 9.5 x 2.5 (324 x 241 x 64) | 2.6 (1.2) | 2.3 (1.0) | NEC™ VT440 & VT450 | 5.40 (137) | 2.10 (53) | 1.40 (36) |
| PJF2 NC4 | 12.75 x 9.5 x 2.5 (324 x 241 x 64) | 2.6 (1.2) | 2.3 (1.0) | NEC™ LT 85 & LT 150 | 4.25 (108) | 2.00 (51) | 3.00 (76) |
| PJF2 PA7 | 12.75 x 9.5 x 2.5 (324 x 241 x 64) | 4.6 (2.1) | 2.9 (1.3) | Panasonic® PT-LZ11U | 5.88 (149) | 2.13 (54) | 0.75 (19) |
| PJF2 PA8 | 18 x 13 x 2 (457 x 330 x 51) | 5.5 (2.5) | 4.6 (2.1) | Panasonic® PT-L6500U | 8.25 (210) | 3.00 (76) | 0.00 0 |
| PJF2 PH1 | 12.25 x 9.625 x 4 (311 x 244 x 102) | 4.6 (2.1) | 2.9 (1.3) | Philips® Hopper SV1 | 7.00 (178) | 3.00 (76) | 4.00 (102) |
| PJF2 PH2 | 14.5 x 6.5 x 4 (368 x 165 x 102) | 5.6 (2.5) | 4.2 (1.9) | Philips® SV1, XG1 IMPACT, XG1 | 5.00 (127) | 2.63 (67) | 3.50 (89) |
| PJF2 SA10 | 12.75 x 9.5 x 2.5 (324 x 241 x 64) | 3.6 (1.6) | 2.3 (1.0) | Sanyo™ SP-45m | 6.10 (155) | 2.50 (64) | 0.99 (25) |
| PJF2 SA22 | 12.75 x 9.5 x 2.5 (324 x 241 x 64) | 3.6 (1.6) | 2.6 (1.2) | Sanyo™ SU22N | 7.00 (178) | 1.40 (36) | 1.00 (25) |
| PJF2 SAPLC9000N | 18.625 x 12.75 x 6.125 (473 x 324 x 156) | 15.6 (7.1) | 13.1 (5.9) | Sanyo™ PLC9000N | N/A | N/A | N/A |
| PJF2 SASP10N | 14.5 x 13.125 x 1.625 (368 x 333 x 41) | 4.6 (2.1) | 3.3 (1.5) | Sanyo™ SP10N | 7.00 (178) | 3.00 (76) | 0.50 (13) |
| PJF2 SNY1 | 12.75 x 9.5 x 2.5 (324 x 241 x 64) | 3.6 (1.6) | 2.3 (1.0) | Sony™ VPL-VW10HT | 8.00 (203) | 4.50 (114) | 2.00 (51) |
| PJF2 SNY2A | 12.75 x 9.5 x 2.5 (324 x 241 x 64) | 4.6 (2.1) | 3.0 (1.4) | Sony™ VPL-PX20 | 5.13 (130) | 4.50 (114) | 2.25 (57) |
| PJF2 SNY4 | 12.75 x 18.625 x 6.125 (324 x 473 x 156) | 3.6 (1.6) | 2.7 (1.2) | Sony™ VPL-FX50 | 8.50 (216) | 3.00 (76) | 0.00 0 |
| PJF2 SP6 | 12.75 x 9.5 x 2.5 (324 x 241 x 64) | 2.6 (1.2) | 1.7 (0.8) | Sharp® XG-NV6XU | 5.50 (140) | 2.30 (58) | 0.30 (8) |
| PJF2 SP7 | 12.75 x 9.5 x 2.5 (324 x 241 x 64) | 3.6 (1.6) | 2.5 (1.1) | Sharp® PG-C30XU | 7.25 (184) | 3.25 (83) | 1.00 (25) |
| PJF2 SP9 | 12.75 x 9.5 x 2.5 (324 x 241 x 64) | 2.6 (1.2) | 2.1 (1.0) | Sharp® XG-P20XU | 8.50 (216) | 5.00 (127) | 0.60 (15) |