

# TECHNICAL DATA SHEET - **SmartMount**<sup>®</sup> Articulating Wall Arm for 37" to 71" flat panel screens

# peerless<sup>®</sup>

MODELS: RTFPA63U, RTFPA63US, SA760P, SA760P-S, SA760PU, SA760PU-S



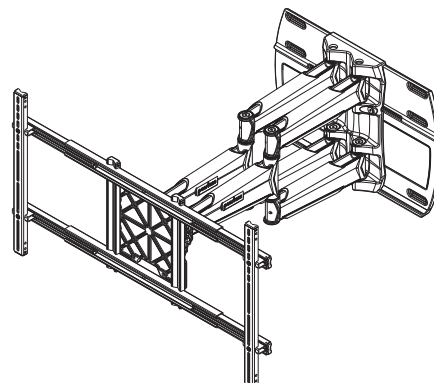
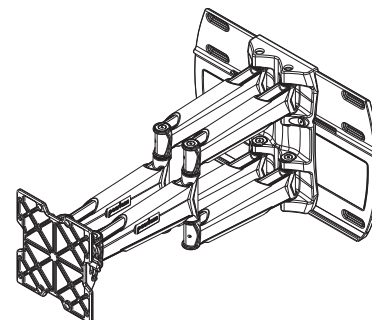
The new SmartMount<sup>®</sup> 700 Series Arms are more than just another pretty mount. With a full 1" of internal cable management and color-coded electrical and A/V component knock-outs, the new SA760 models provide the most cable management in the industry for a truly clean installation. Its double stud, double arm design allows for up to 7.75" of horizontal adjustment and smooth extension for perfect screen placement. The SA760 models are UL-listed for strength and reliability.

### Features:

- Arm extends up to 27.8" from wall (plus thickness of adapter plate)
- SA760P includes VESA<sup>®</sup> 100/200 x 100/200/200 adapter plate and is compatible with PLP dedicated adapter plates
- Universal models accommodate 37" to 63" screens mounting holes up to 30.13" W x 17.24" H
- 1" clearance per channel for clean and simple cable management
- Dual-arm construction for extra strength and smooth motion
- Up to 7.75" total horizontal adjustment
- One-touch tilt allows adjustment of +15/-5° without the use of tools
- Three pivot points with up to 180° swivel
- Two knockouts in wall plate for optimal electrical access
- ±2.5° roll to level screen horizontally
- Allows portrait or landscape screen orientation

### Accessories:

- SCS222: Double Stud Dual Component Shelf System
- SCS212: Dual Component Shelf System
- SCS221: Double Stud Component Shelf
- SCS211: Component Shelf
- ACC924/926: Cable Management Wall Channel
- ACC925: Security Fasteners
- MSA-101 (S): Center Channel Speaker Mount
- MSA-301 (S): Center and Side Speaker Mount
- ACC615: Metal Stud Toggles (for up to 125 lb flat panels)



### SA760P, SA760P-S

#### Dimensions:

**Weight:**  
38.5 lb (17.5 kg)

**Shipping weight:**  
45 lb (20.4 kg)

**Maximum Load Capacity:**  
200 lb (91 kg)

#### Shipping Carton dimensions:

L = 29.25 in (743 mm)  
W = 16 in (406 mm)  
H = 7.75 in (197 mm)

### SA760PU, SA760PU-S, RTFPA63U, RTFPA63US

#### Dimensions:

**Weight:**  
45.1 lb (20.5 kg)

**Shipping weight:**  
51.8 lb (23.5 kg)

**Maximum Load Capacity:**  
200 lb (91 kg)

#### Shipping Carton dimensions:

L = 29.13 in (740 mm)  
W = 16 in (406 mm)  
H = 7.4 in (188 mm)

## ARCHITECTS SPECIFICATIONS

The SmartMount<sup>®</sup> Articulating Wall Arm shall be Peerless models \_\_\_\_\_ and shall be located where indicated on the plans. It shall feature adjustable 15° of forward tilt and 5° backward tilt. Assembly and installation shall be done according to instructions provided by the manufacturer.

### Peerless Industries, Inc.

3215 W. North Ave. Melrose Park, IL 60160  
708-865-8870 800-865-2112 Fax 708-865-2941

[www.peerlessmounts.com](http://www.peerlessmounts.com)

ISSUED: 03-22-07 SHEET #: 095-9702-4 08-06-08

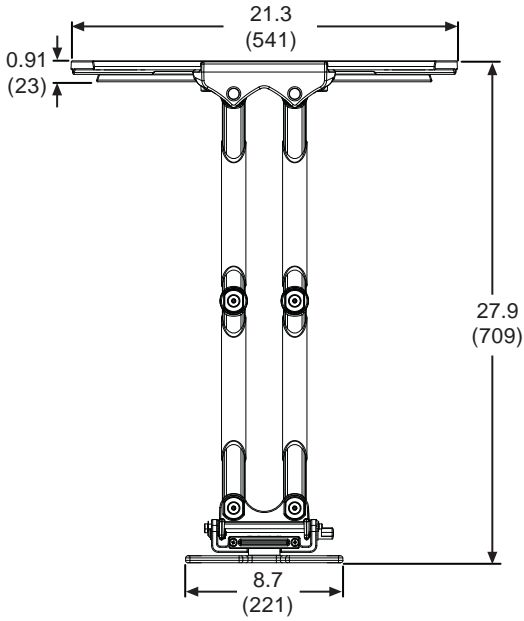
© 2008, Peerless Industries, Inc. All rights reserved.

All other brand and product names are trademarks or registered trademarks of their respective owners

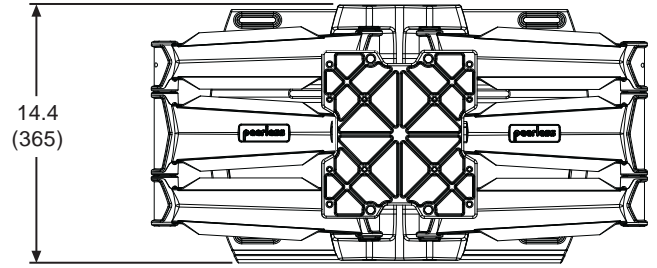
TECHNICAL DATA SHEET

MODELS: RTFPA63U, RTFPA63US, SA760P, SA760P-S, SA760PU, SA760PU-S

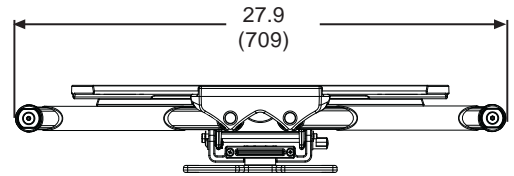
All dimensions = inch (mm)



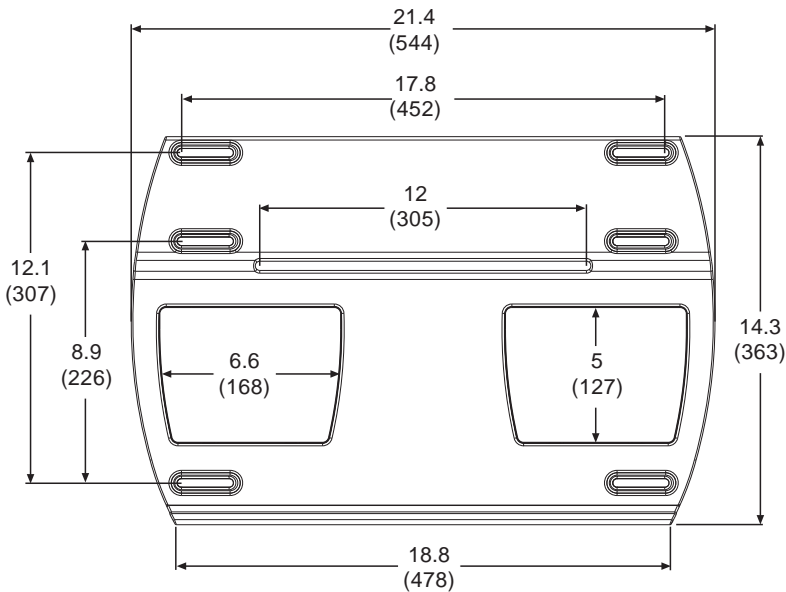
Extended Top View



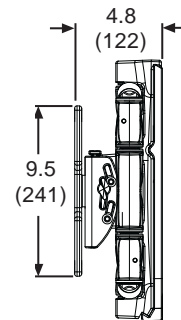
Collapsed Front View



Collapsed Top View

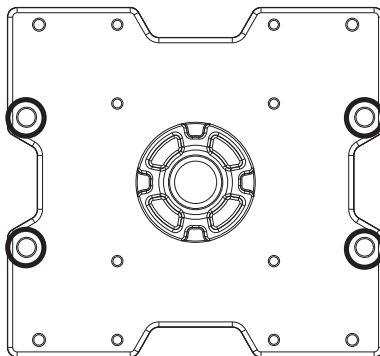


Wall Plate Detail

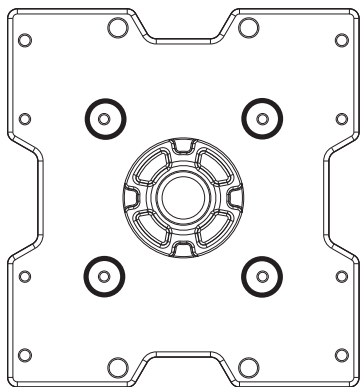


Collapsed Side View

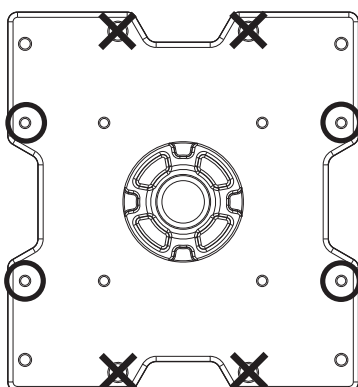
**MODELS: RTFPA63U, RTFPA63US, SA760P, SA760P-S, SA760PU, SA760PU-S**



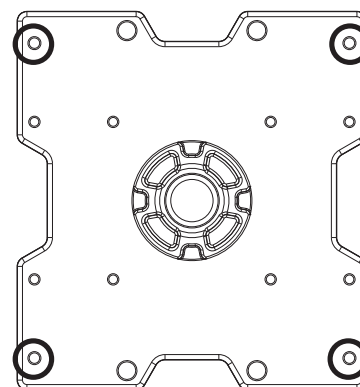
**HOLE PATTERN FOR USE WITH UNIVERSAL ADAPTER BRACKET OR DEDICATED ADAPTER PLATE**



**VESA® 100 x 100**



**VESA® 200 x 100**

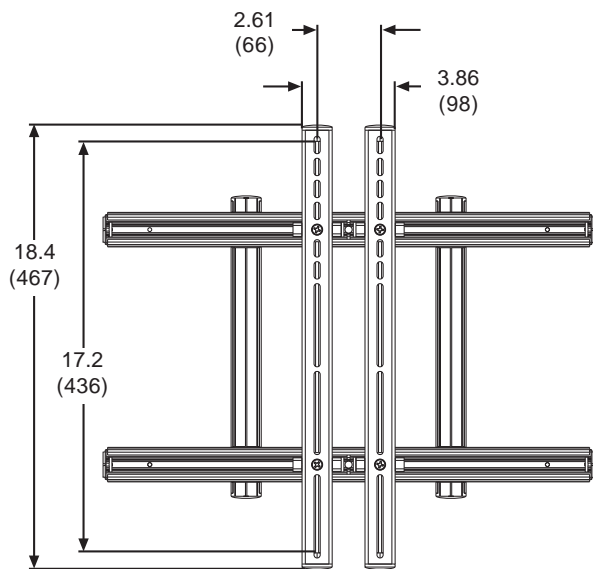


**VESA® 200 x 200**

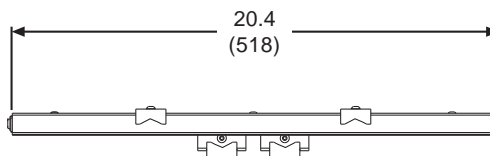
**Front View Adapter Plate Details**

TECHNICAL DATA SHEET

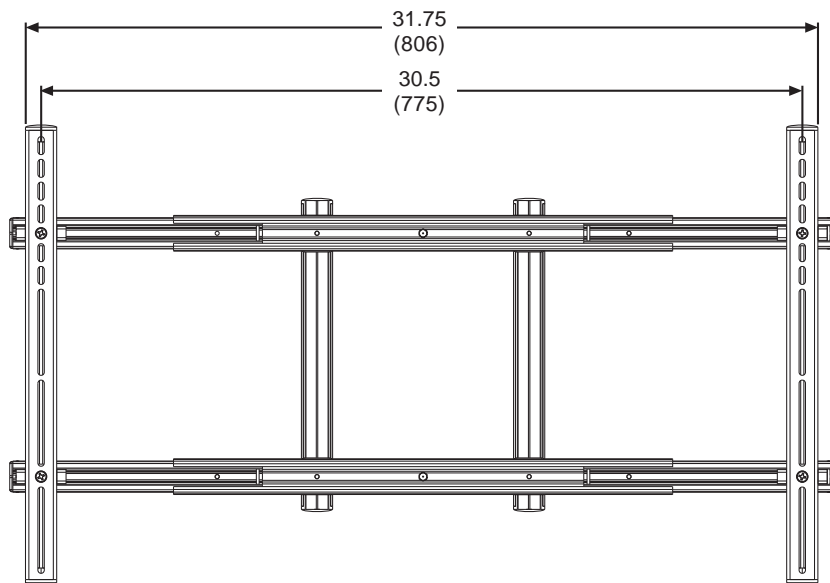
**MODELS: RTFPA63U, RTFPA63US, SA760P, SA760P-S, SA760PU, SA760PU-S**



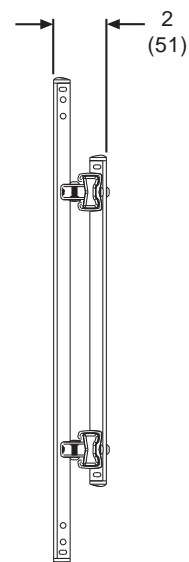
Universal Adapter  
Bracket Collapsed  
Front View



Universal Adapter  
Bracket Collapsed  
Top View



Universal Adapter Bracket  
Extended Front View



Universal  
Adapter Bracket  
Side View