

TECHNICAL DATA SHEET -

MODELS: IB40, IB40-S, IB40-W

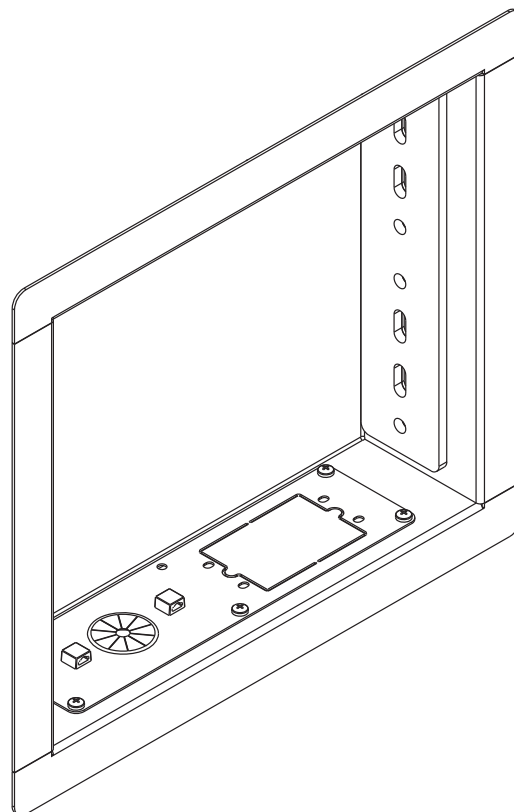
peerless®

In-wall Mount for up to 40" Flat Panel Screens

Make recess mounting fast and simple. The In-Wall Box snugly fits between 16" wood studs and features a removable outlet receptacle that makes running electrical and cables through the box easily. Compatible with several Peerless pivot and articulating mounts, the IB40 holds screens up to 40".

Features:

- Compatible with SA730P, SP730P, SA740P, SP740P and LCS-KLA models
- Three height adjustment points in box set screen in desired vertical position
- Installs between 16" centers
- stud-locating tabs adjust 1/4" left or right to accommodate stud spacing
- Removable gang box and cable management access plates make installation easy



Dimensions:

Weight:

10.4 lb (4.72 kg)

Shipping weight:

14.23 lb (6.45 kg)

Maximum Load Capacity:

See page 2

Shipping Carton dimensions:

L = 22.375 in (568 mm)

W = 21.0625 in (535 mm)

H = 4.25 in (108 mm)

ARCHITECTS SPECIFICATIONS

The In-wall mount shall be Peerless models _____ and shall be located where indicated on the plans. It shall be constructed of heavy gauge cold rolled steel and finished with scratch resistant Black, Silver or White Fused Epoxy. Assembly and installation shall be done according to instructions provided by the manufacturer.

Peerless Industries, Inc.

3215 W. North Ave. Melrose Park, IL 60160
708-865-8870 800-865-2112 Fax 708-865-2941

www.peerlessmounts.com

ISSUED: 01-16-08 SHEET NO: 095-9710-1

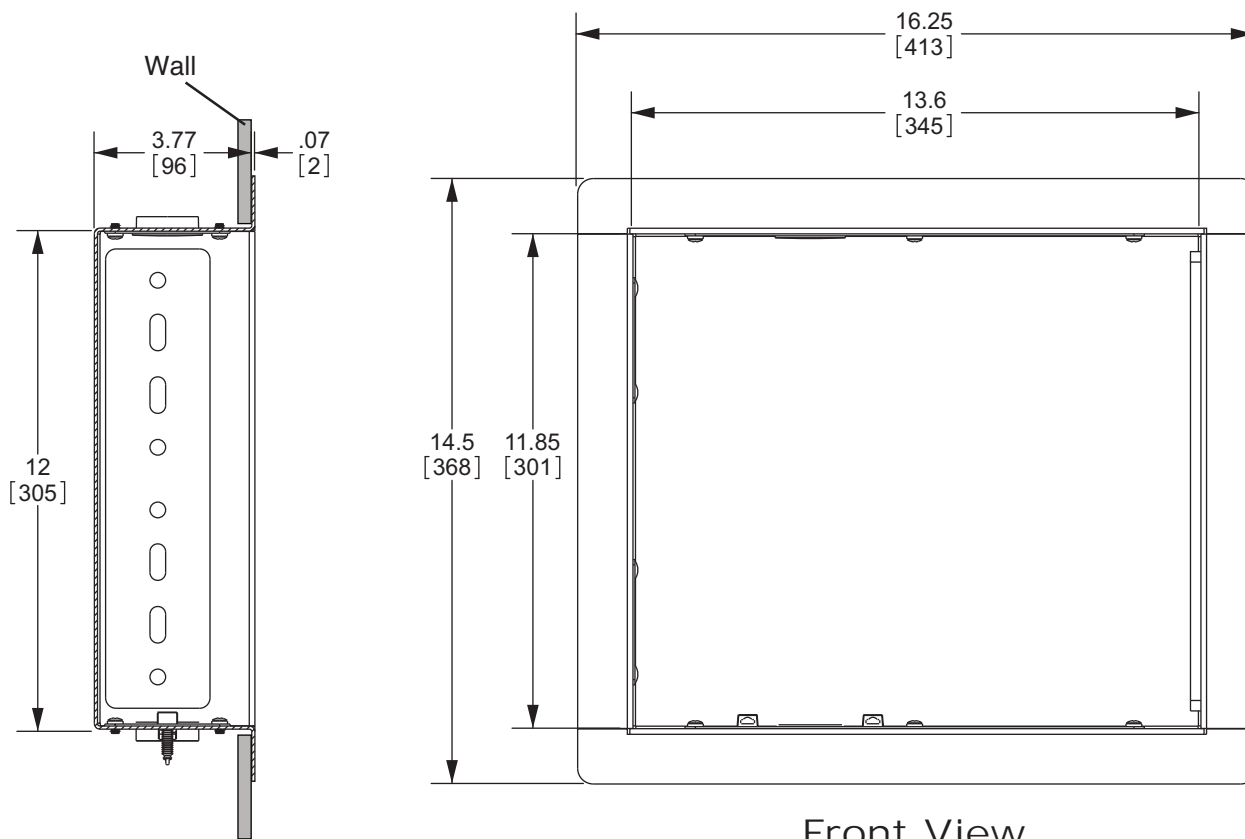
© 2007, Peerless Industries, Inc. All rights reserved.

All other brand and product names are trademarks or registered trademarks of their respective owners

TECHNICAL DATA SHEET -

MODELS: IB40, IB40-S, IB40-W

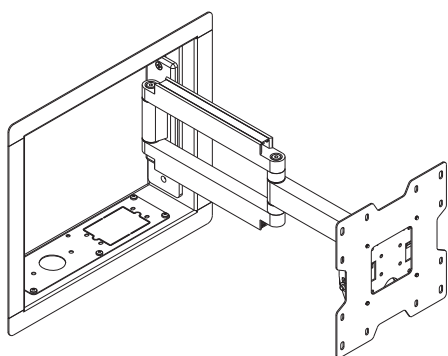
All dimensions = inch [mm]



Cutaway Side View

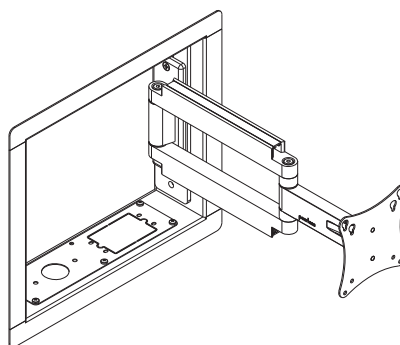
Front View

IN-WALL MOUNT USED WITH ARTICULATING ARM MOUNTS (NOT INCLUDED)



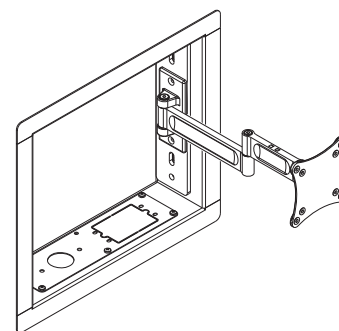
MODELS: SA740P, SA740P-S

**MAX LOAD CAPACITY:
80 LB (36.3 KG)**



MODELS: SA730P, SA730P-S

**MAX LOAD CAPACITY:
25 LB (11.3 KG)**



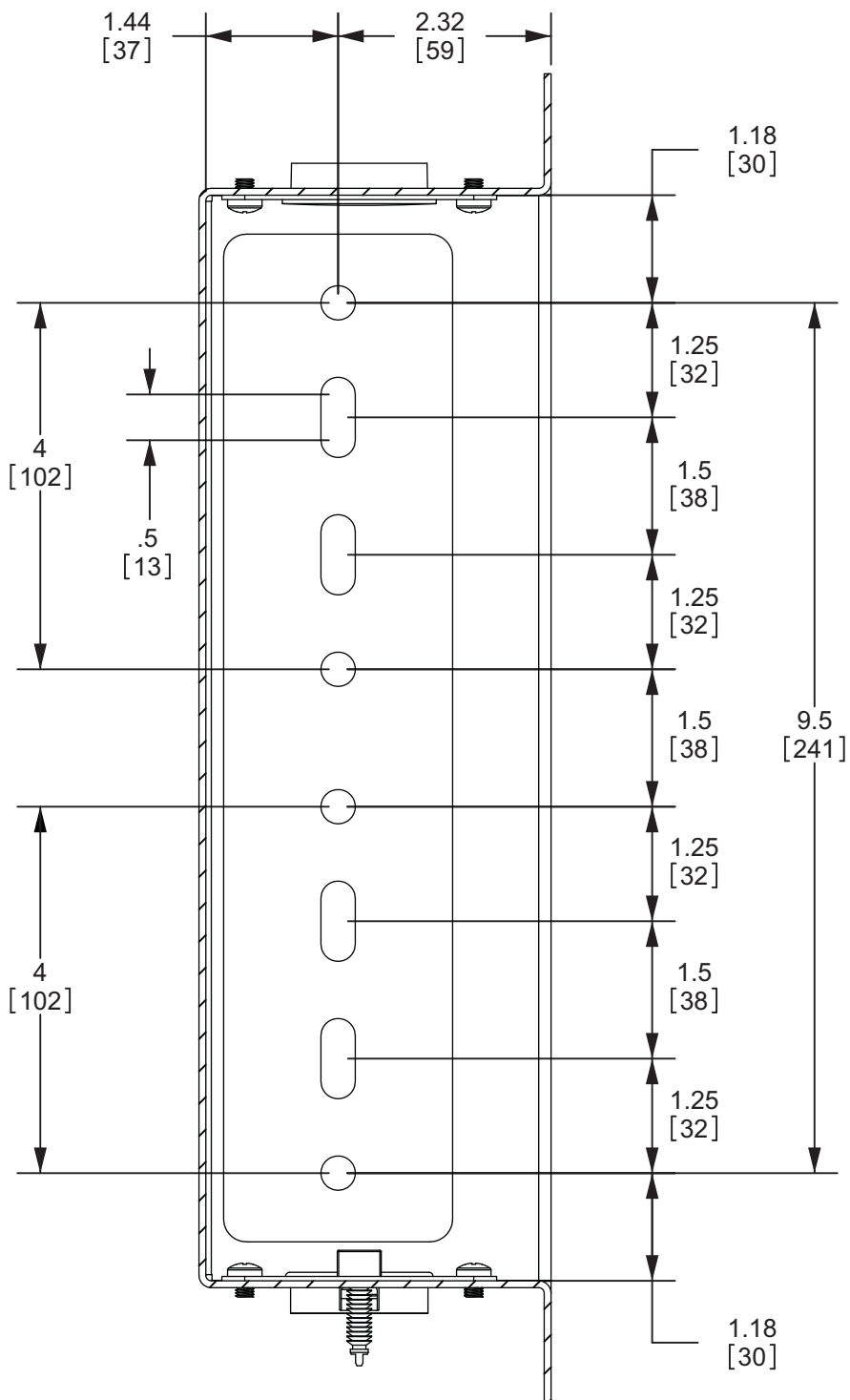
MODEL: LCS-KLA

**MAX LOAD CAPACITY:
25 LB (11.3 KG)**

TECHNICAL DATA SHEET -

MODELS: IB40, IB40-S, IB40-W

All dimensions = inch [mm]



Mounting Plate Detail
Cutaway Side View