

TECHNICAL DATA SHEET - Custom Additional Depth for Whiteboard Mount

peerless®

MODELS: MIS-ACC536

Model MIS-ACC536 (Custom Additional Depth for Whiteboard Mount) is designed to work with MIS536 to provide additional distance off the wall to support a Promethean or Hitachi White Board over a blackboard.

Features:

- Compatible with MIS536, whiteboard mount
- Heavy gauge Cold Rolled Steel Construction.
- Scratch resistant white fused epoxy.
- Bumpers included for stability.

Dimensions:

Shipping weight:

1.15 lb (.52 kg)

Maximum Load Capacity:

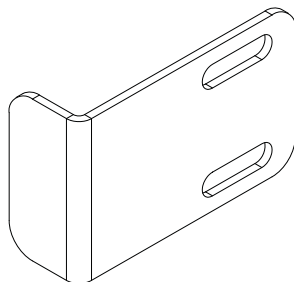
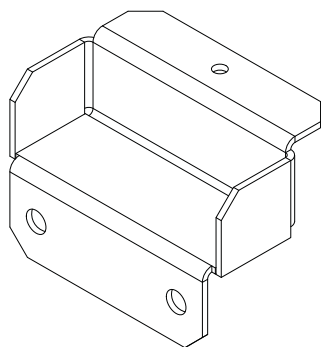
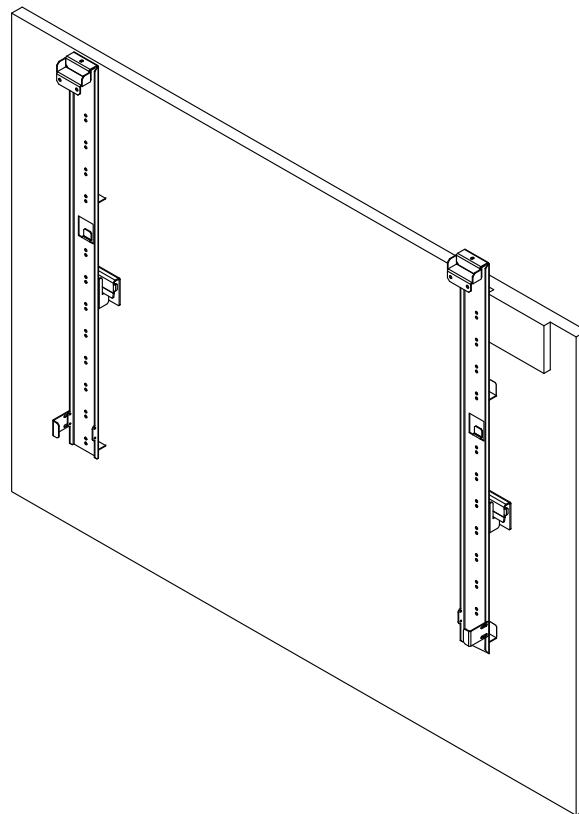
80 lb (36.28 kg)

Shipping Carton dimensions:

L = 7 in (177.8 mm)

W = 3 in (76.2 mm)

H = 3 in (76.2 mm)



ARCHITECTS SPECIFICATIONS

The Mount shall be a Peerless model _____ and shall be located where indicated on the plans. It shall be constructed of heavy gauge steel. The finish shall be scratch resistant white fused epoxy. Assembly and installation shall be done according to instructions provided by the manufacturer.

Peerless Industries, Inc.

3215 W. North Ave. Melrose Park, IL 60160
708-865-8870 800-865-2112 Fax 708-865-2941

www.peerlessmounts.com

ISSUED: 11-11-08 SHEET NO: 120-9530-1

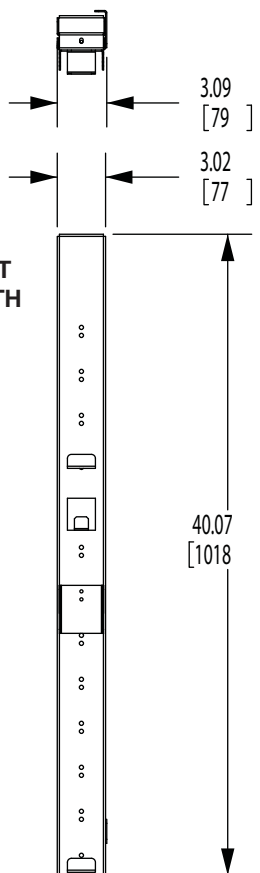
© 2008 Peerless Industries, Inc. All rights reserved.
All other brand and product names are trademarks or registered trademarks of their respective owners.

TECHNICAL DATA SHEET

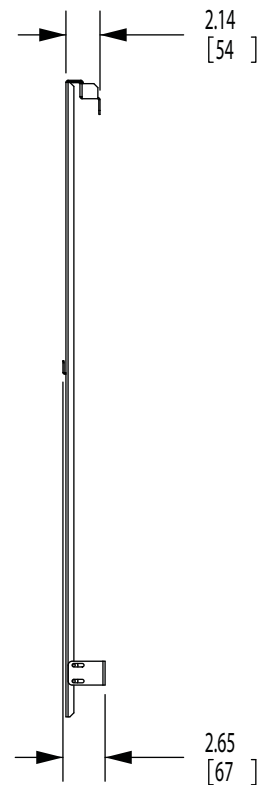
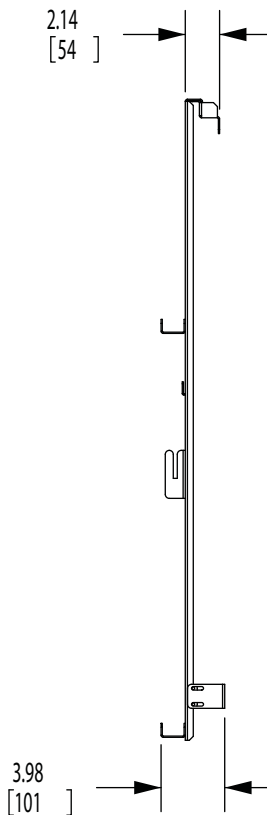
MODELS: MIS-ACC536

All dimensions = inch (mm)

TOP VIEW



VERTICAL BRACKET
NOT INCLUDED WITH
MIS-ACC536



FRONT VIEW

SIDE VIEW
(PROMETHEAN)

(HITACHI)

Promethean and Hitachi Measurement Between Wall Plate

