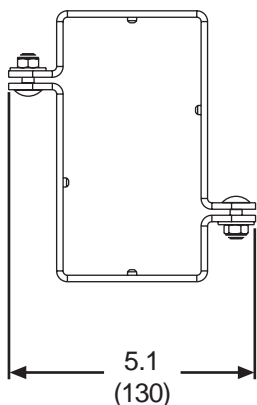


# TECHNICAL DATA SHEET - Pole Clamp for SA740 & SP740

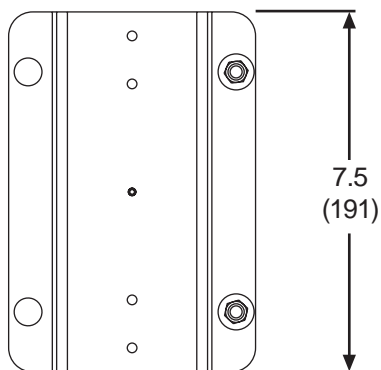
**peerless®**

MODEL: MIS474

All dimensions = inch (mm)



**TOP VIEW**



**FRONT VIEW**

**Feature:**

- Fits 2.75 in (70 mm) x 5.11 in (130 mm) post

**Dimensions:**

**Weight:**

5.81 lb (2.6 kg)

**Shipping weight:**

6.4 lb (2.9 kg)

**Maximum Load Capacity:**

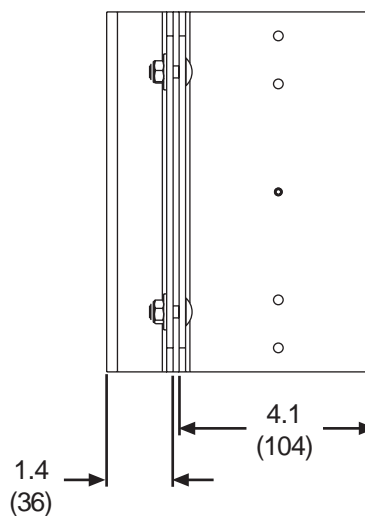
80 lb (36.3 kg)

**Shipping Carton dimensions:**

**L** = 9.625 in (244 mm)

**W** = 6 in (152 mm)

**H** = 5.187 in (132 mm)



**SIDE VIEW**

**ARCHITECTS SPECIFICATIONS**

The Pole Clamp for SA740 & SP740 shall be a Peerless model **MIS474** and shall be located where indicated on the plans. Assembly and installation shall be done according to instructions provided by the manufacturer.

**Peerless Industries, Inc.**

3215 W. North Ave. Melrose Park, IL 60160  
708-865-8870 800-865-2112 Fax 708-865-2941

[www.peerlessmounts.com](http://www.peerlessmounts.com)

**ISSUED: 09-17-07 SHEET NO: 124-9647-2 02-28-08**

©2007, Peerless Industries, Inc. All rights reserved.

All other brand and product names are trademarks or registered trademarks of their respective owners