

TECHNICAL DATA SHEET - Custom Cement Column Mount for ST630

peerless®

MODEL: MIS374A

The **Custom Cement Column Mount** attaches directly to a cement pole. The ST630 universal tilt wall mount supports virtually any 10" to 24" flat panel. The tilting wall plate keeps the screen close to the wall for a very discreet installation that is perfect for digital signage, POS stations, or office applications. Featuring one-touch tilt, the ST630 allows the screen to be tilted +15/-5 degrees without the use of tools. Compatible with VESA® 75mm and 100mm mounting patterns.

Features:

- MIS374 includes the ST630 (VESA® 100 compatible)
- MIS374A ST630 needs to be purchased separately
- 20" diameter column
- 2-3 screens per pole
- 62" - 63" circumference

Dimensions:

Shipping weight:

4 lb (1.8 kg)

Maximum Load Capacity:

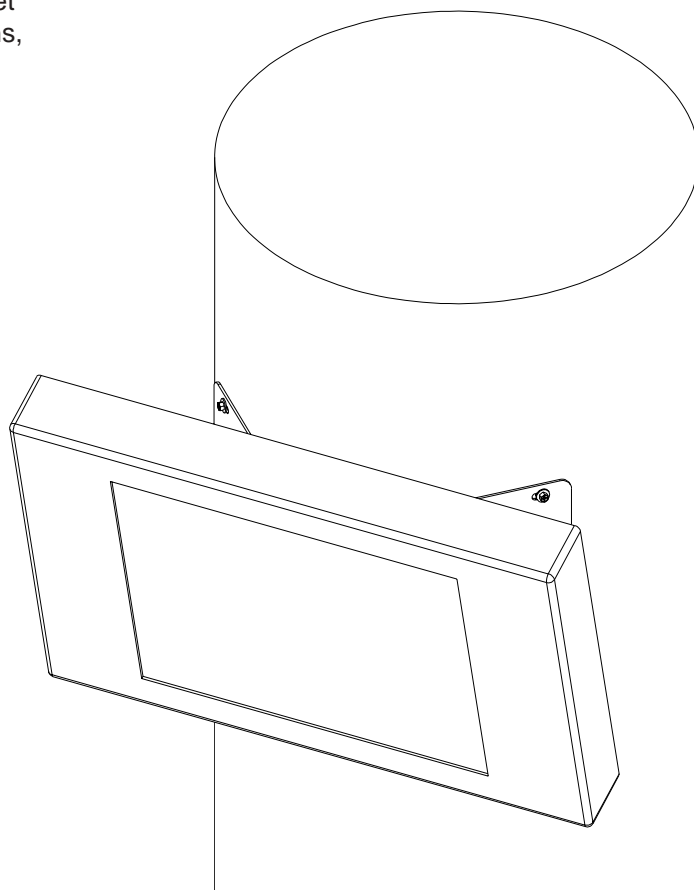
80 lb (36.3 kg)

Shipping Carton dimensions:

L = 19.875 in (1498 mm)

W = 7.75 in (1168 mm)

H = 4.8125 in (203 mm)



ARCHITECTS SPECIFICATIONS

The Custom Wall Mount shall be a Peerless model **MIS374A** and shall be attached where indicated on the plans. Assembly and installation shall be done according to the instructions provided by the manufacturer.

Peerless Industries, Inc.

3215 W. North Ave. Melrose Park, IL 60160
708-865-8870 800-865-2112 Fax 708-865-2941

www.peerlessindustries.com

ISSUED: 07-02-08 SHEET NO: 124-9679-1

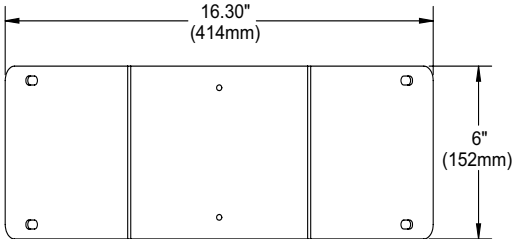
©2008 Peerless Industries, Inc. All rights reserved.
Peerless is a registered trademark of Peerless Industries, Inc.

All other brand and product names are trademarks or registered trademarks of their respective owners.

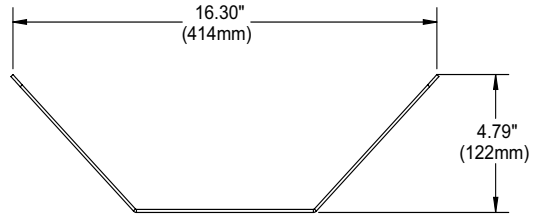
TECHNICAL DATA SHEET

MODEL: MIS374A

NOTE: ALL DIMENSIONS = INCH (MM)



FRONT VIEW



SIDE VIEW

Cement Column Detail

