

TECHNICAL DATA SHEET - Universal Projector Wall Arm

peerless®

MODEL: MIS550

The **MIS550** Universal Projector Wall Arm is designed for the short throw projector. The projector is positioned from the wall by sliding the telescoping arm. The end result is a projection throw with a distance ranging from 28.75" - 50". The arm is compatible with both the Peerless PRS and PRG projector mount line. Security fasteners are included.

Features:

- Provides a projection throw distance of 28.75" - 50"
- Compatible with both the PRS and PRG
- Security hardware provided
- Rated to 35 lbs max load
- Wall plate can be inverted to position the arm closer to the ceiling
- Cord management within the arm
- Support cable

Accessories:

- WSP320 Metal Stud wall plate for 16" centers
- ACCMIS550 Security Cable for Metal Stud Installation
- ACC020 Projector Security Cable

Dimensions:

Weight:

10.4 lb (4.7 kg)

Shipping weight:

15.5 lb (7kg)

Maximum Load Capacity:

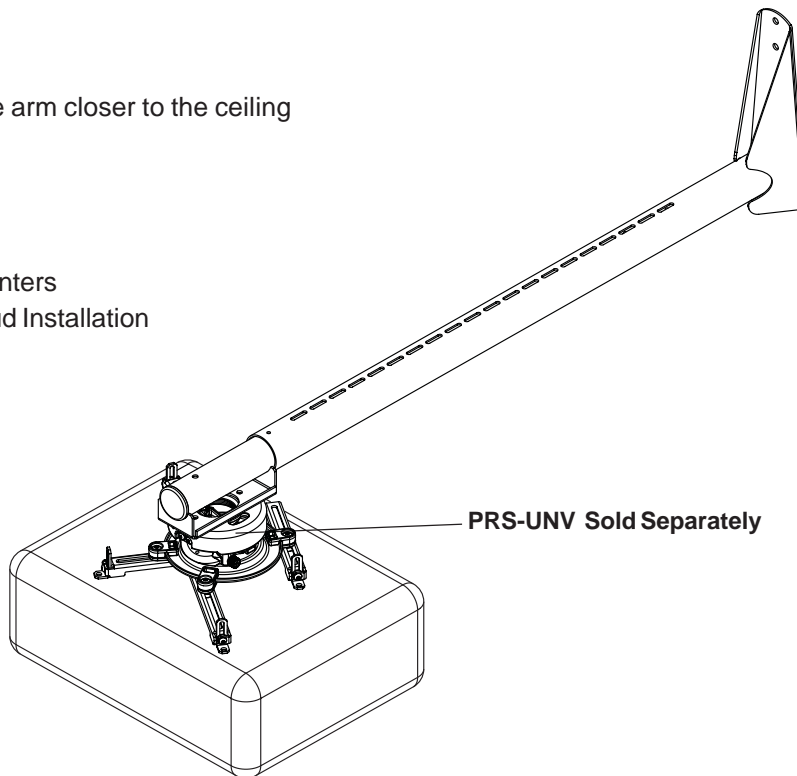
35 lb (15.9 kg)

Shipping Carton dimensions:

L = 47.25 in (1200 mm)

W = 18 in (457 mm)

H = 5 in (127 mm)



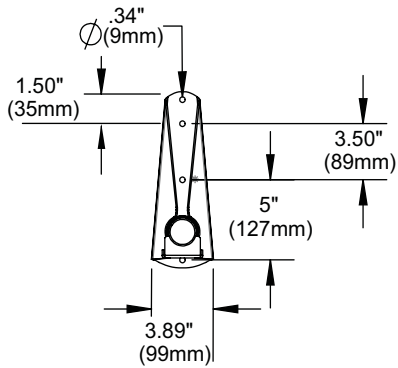
ARCHITECTS SPECIFICATIONS

Projector Wall Mount shall be an InFocus model **MIS550** and shall be located where indicated on the plans. Assembly and installation shall be done according to instructions provided by the manufacturer.

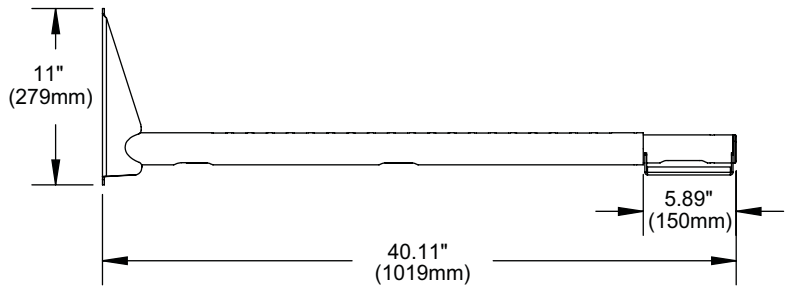
TECHNICAL DATA SHEET

MODEL: MIS550

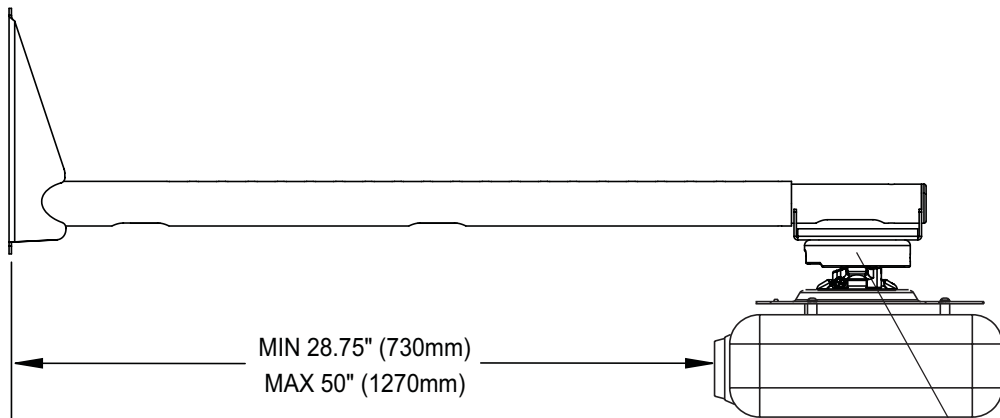
ALL DIMENSIONS = INCH
(MM)



FRONT VIEW



SIDE VIEW



SIDE VIEW WITH PROJECTOR

PRS-UNV Sold Separately