

TECHNICAL DATA SHEET - Solid•Point™ Wall Mount with Tilt and Swivel

peerless®

MODEL: PS 1

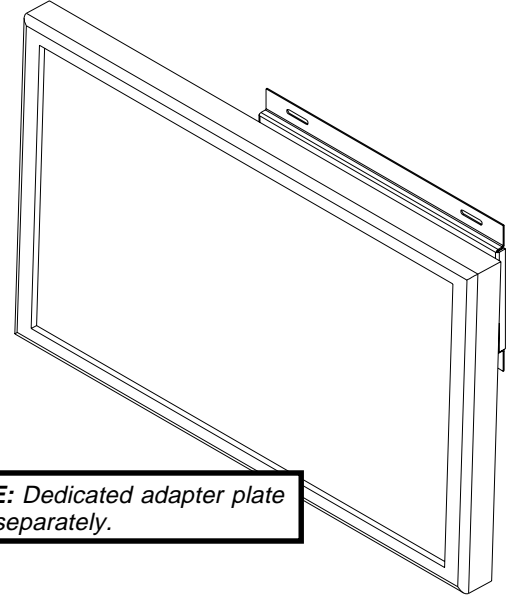
The **PS 1** plasma screen wall mount allows for optional viewing selection by providing continuous screen adjustment with a maximum 10° forward, 5° backward, and 15° swivel from left to right. Screen orientation can be changed from horizontal to vertical. Mount allows for leveling adjustment for plasma to sit level at any angle. 26" wall plate mounts to 2 studs with 16" centers.

Features:

- Adjustable screen tilt with a max. 10° forward, 5° backward
- 15° swivel from left to right; no tools required
- Five attachment points for the wall arm at 3.25" (83mm)
- Screen mounts horizontally or vertically
- Mount provides manual leveling adjustment for plasma to sit level at any angle; no tools required
- Heavy gauge cold rolled steel construction
- Scratch resistant black fused epoxy finish
- Theft resistant security fasteners secure monitor
- Accommodates 32"-50" screens

Components of PS 1:

- Rotation box
- Tilt pivot retainer assembly
- Pitch roll assembly
- Wall arm assembly
- Wall plate
- Security screws
- Wood stud mounting hardware
- Concrete mounting hardware
- PLP adapter plate must be ordered separately



NOTE: Dedicated adapter plate sold separately.

Dimensions:

Weight:
17.6 lb (8 kg)

Shipping weight:
24.4 lb (11 kg)

Maximum Load Capacity:
150 lb (68.2 kg)

Shipping Carton dimensions:
L= 36.625 in (930 mm)
W= 15 in (381 mm)
H= 9.875 in (251 mm)

ARCHITECTS SPECIFICATIONS

The Wall Mount with Tilt and Swivel shall be a Peerless model PS 1 and shall be located where indicated on the plans. It shall be constructed of heavy gauge cold rolled steel with 0°-10° adjustable forward and 5° backward tilt with 15° swivel. The finish shall be scratch resistant Black Fused Epoxy. Assembly and installation shall be done according to instructions provided by the manufacturer.

Peerless Industries, Inc.
3215 W. North Ave. Melrose Park, IL 60160
708-865-8870 800-865-2112 Fax 708-865-2941
www.peerlessmounts.com

ISSUED: 07-08-02 SHEET NO: 200-9706-5 09-17-07

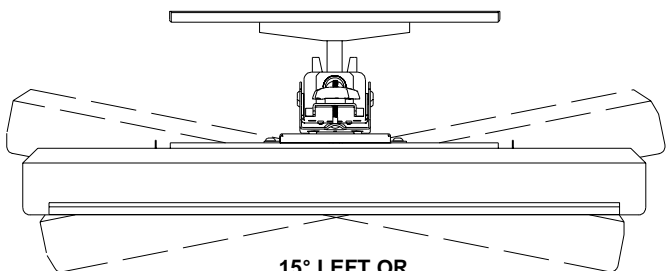
© 2007, Peerless Industries, Inc. All rights reserved.
All other brand and product names are trademarks or registered trademarks of their respective owners.

TECHNICAL DATA SHEET

MODEL: PS 1

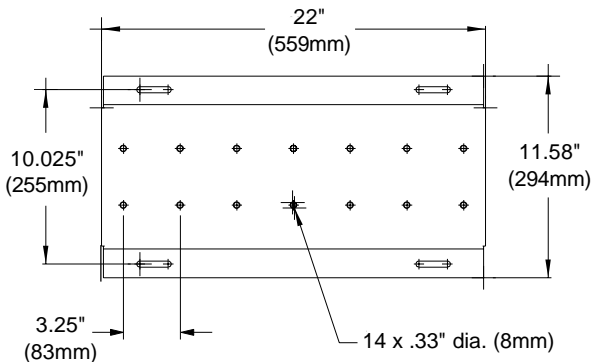
A = 1/2 HEIGHT OF PLASMA + 6.125"

B = DEPTH OF PLASMA + .75" + 8.75"

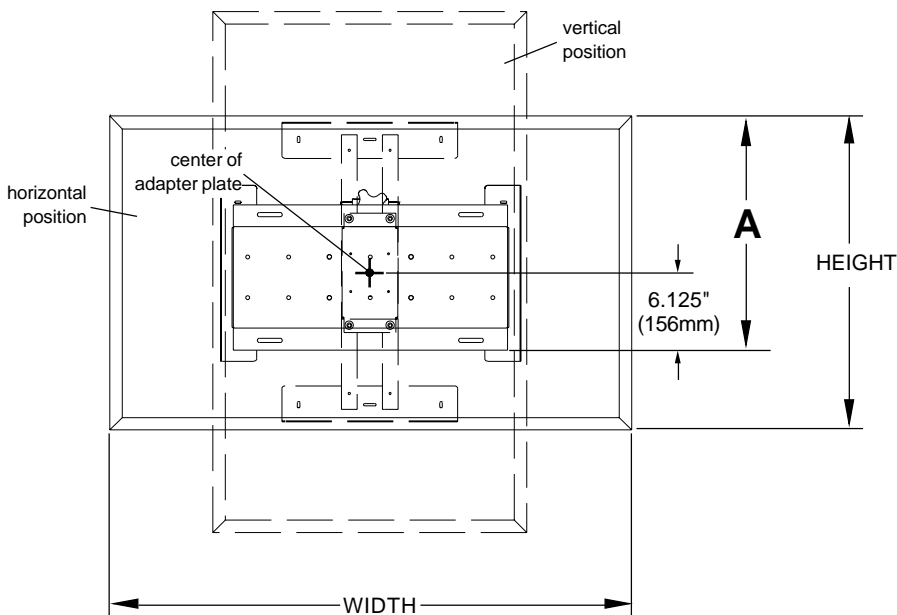


15° LEFT OR
RIGHT SWIVEL

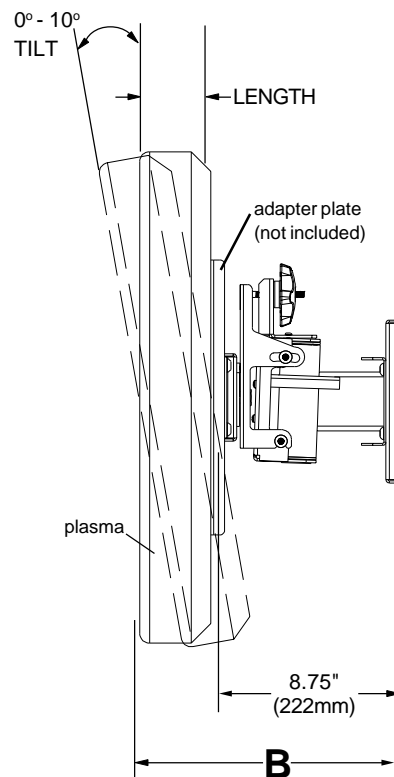
TOP VIEW



WALL PLATE DETAIL



FRONT VIEW



SIDE VIEW