

TECHNICAL DATA SHEET - Back to Back Mount for Plasma Screens

peerless®

MODEL: PLB 1

Peerless' Dual Screen Mounts are designed to safely support two plasma or large LCD screens. The back-to-back design displays screens perfectly for retail or commercial environments. Model-specific or Universal style PLP adapter plates are available to match your screen and model, both are sold separately.

Features:

- Entire unit swivels a full 360° with swivel restriction/stop feature
- 20° adjustable tilt (for each screen)
- Screen mounts vertically or horizontally
- Complete detailed installation instructions
- Accommodates plasma screens 32" – 50" and LCD screens 30" and above

Accessories:

- Fixed and Adjustable length extension columns (ADD models)
- Truss ceiling adapter with rubber stress decoupler (DCT 300)
- Structural ceiling adapter with rubber stress decoupler (DCS 400)
- Multi-display I-Beam clamps (DCT models)

Dimensions:

Weight:

18.8 lb (8.5 kg)

Shipping weight:

21 lb (9.5 kg)

Maximum Load Capacity:

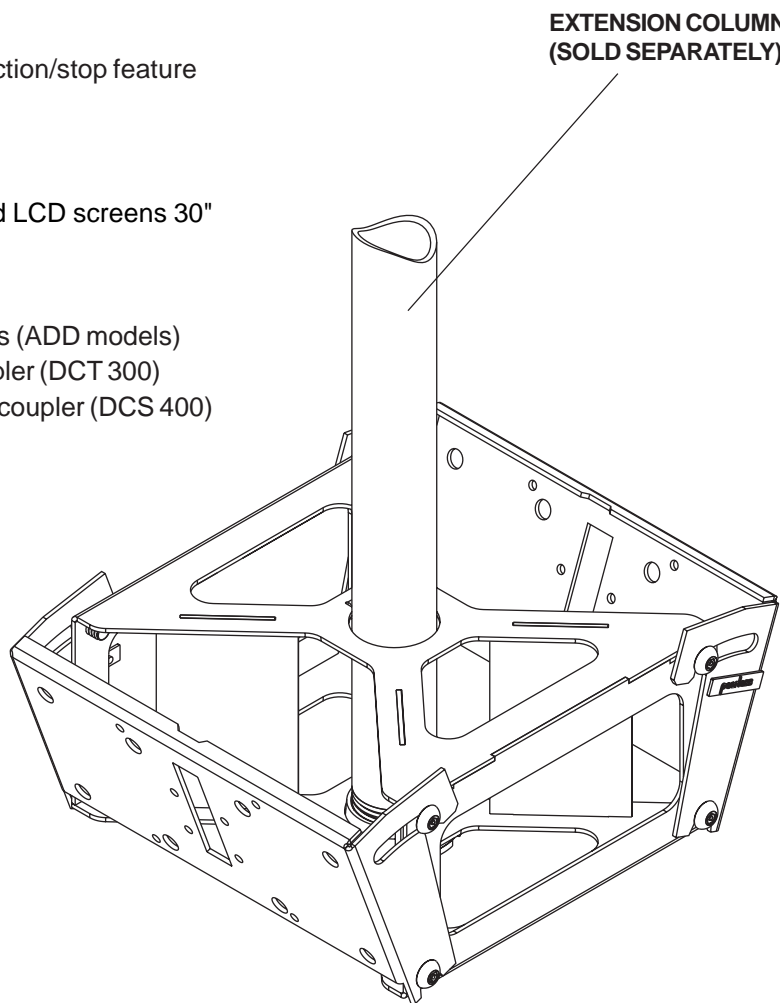
300 lb (136.1 kg)

Shipping Carton dimensions:

L = 10.25 in (260 mm)

W = 10.375 in (264 mm)

H = 8.25 in (210 mm)



ARCHITECTS SPECIFICATIONS

The ceiling back to back mount for two plasma monitors shall be a Peerless model **PLB 1** Back To Back Mount and shall be mounted where indicated on the plans. The mount shall support two plasma monitors, swivel 360° with swivel restriction, and provide 0° - 20° of adjustable tilt (for each monitor). It shall be constructed of heavy gauge cold rolled steel. The finish shall be scratch resistant black fused epoxy. Assembly and installation shall be done according to instructions provided by the manufacturer.

Peerless Industries, Inc.

3215 W. North Ave. Melrose Park, IL 60160
708-865-8870 800-865-2112 Fax 708-865-2941

www.peerlessindustries.com

ISSUED: 04-24-03 SHEET NO: 201-9518-2 02-25-08

© 2007, Peerless Industries, Inc. All rights reserved.

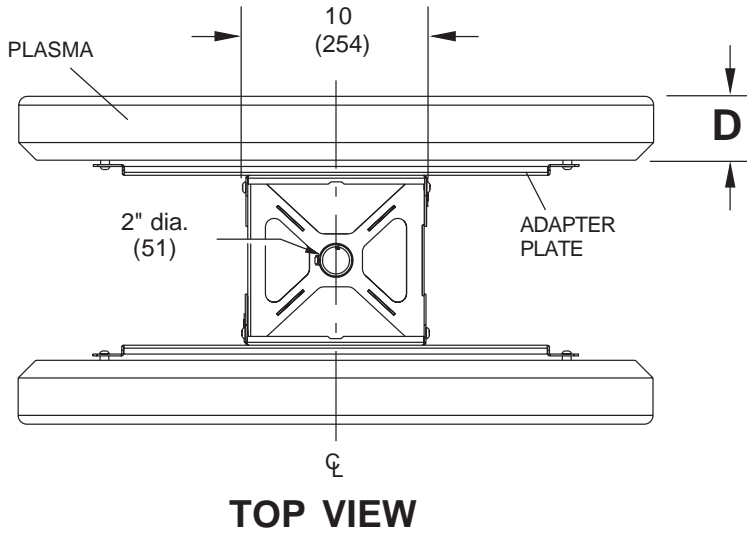
All other brand and product names are trademarks or registered trademarks of their respective owners.

TECHNICAL DATA SHEET

MODEL: PLB 1

ALL DIMENSION = INCH (MM) (UNLESS OTHERWISE INDICATED)

H = Height of Plasma
W = Width of Plasma
D = Depth of Plasma
A = $(0.5 \times H) + 2.91$
B = $2 \times (\text{Width of Adapter Plate} + D) + 9.46$



Note: The adapter plate and monitor you receive will appear different than the sample illustrated.

