

TECHNICAL DATA SHEET -  
**SmartMount™ Universal Flat Wall Mount**  
**for 10"- 24" LCD Flat Panel Screens**

**SmartMount™**

**peerless®**

MODELS: SF630, SF630-S, SF630P, SF630P-S



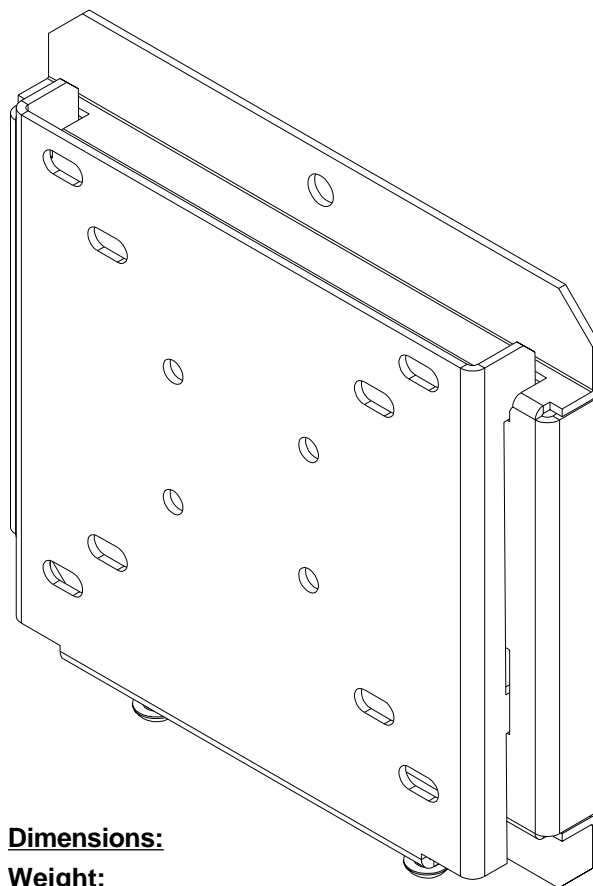
The **SmartMount Universal Flat Wall Mount** supports virtually any 10" to 24" LCD flat panel screens. The ultra-slim wall plate keeps the screen close to the wall for a very discreet installation that is perfect for digital signage, POS stations, or office applications. For a quick and easy installation it may be mounted to a single wood stud or concrete. Mounts to metal stud using accessory metal stud fasteners. Compatible with VESA 75mm and 100mm.

**Features:**

- Colors: silver or black
- Universal mount fits virtually any 10" to 24" LCD flat panel screen
- Screen adapter plates included compatible with VESA 75mm and 100mm mounting patterns
- Ultra-slim design holds screen less than an inch away from the wall
- Screen adapter plate simply hooks onto the wall plate for quick and easy installation
- Includes hardware for installation to wood studs, concrete, and cinder block

**Accessories:**

- Metal Stud Fastener Kit (ACC 215)
- Video Conferencing Shelf (ACC 309)
- Accessory Shelves (PM 600, PM 610)



**Dimensions:**

**Weight:**  
1.7 lb (0.8 kg)

**Shipping weight:**  
2.5 lb (1.1 kg)

**Maximum Load Capacity:**  
80 lb (36 kg)

**Shipping Carton dimensions:**  
**L** = 12.75 in (323.9 mm)  
**W** = 9.50 in (241.3 mm)  
**H** = 2.50 in (63.5mm)

**ARCHITECTS SPECIFICATIONS**

The SmartMount Universal Flat Wall Mount shall be Peerless models **SF630**, **SF630-S**, **SF630P** or **SF630P-S** and shall be located where indicated on the plans. It shall feature screen adapter plates included compatible with VESA 75mm and 100mm mounting patterns. Assembly and installation shall be done according to instructions provided by the manufacturer.

**Peerless Industries, Inc.**

3215 W. North Ave. Melrose Park, IL 60160  
 708-865-8870 800-865-2112 Fax 708-865-2941

[www.peerlessmounts.com](http://www.peerlessmounts.com)

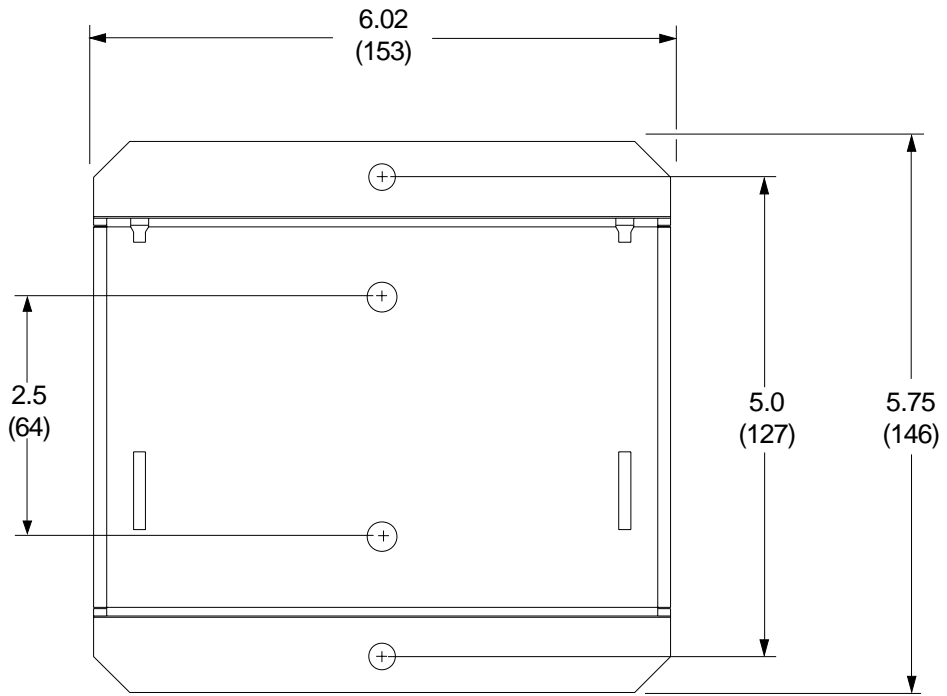
**ISSUED: 04-27-05 SHEET NO: 201-9710-5 07-10-07**

©2007 Peerless Industries, Inc. All rights reserved.  
 Peerless is a registered trademark; Smart Mount and Sorted-For-You are trademarks of Peerless Industries, Inc.  
 All other brand and product names are trademarks or registered trademarks of their respective owners.

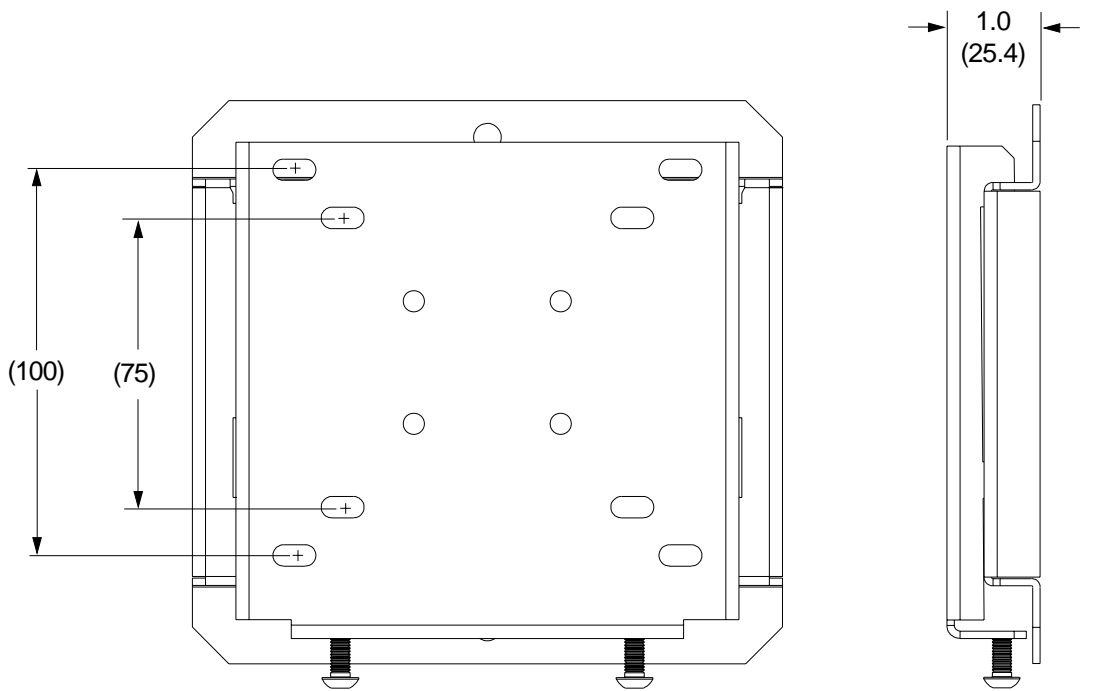
TECHNICAL DATA SHEET

**MODELS: SF630, SF630-S, SF630P, SF630P-S**

All dimensions = inch (mm)



Wall Plate Detail



Front View

Side View