

TECHNICAL DATA SHEET - **SmartMount**® Universal Tilt Wall Mount for 37" to 63" Flat Panel Screens

peerless®

MODELS: ST660, ST660P, ST660-S, ST660P-S,
RTFPT2-320, RTFPT2-320S, D-FPT2-320,
D-FPT2-320S



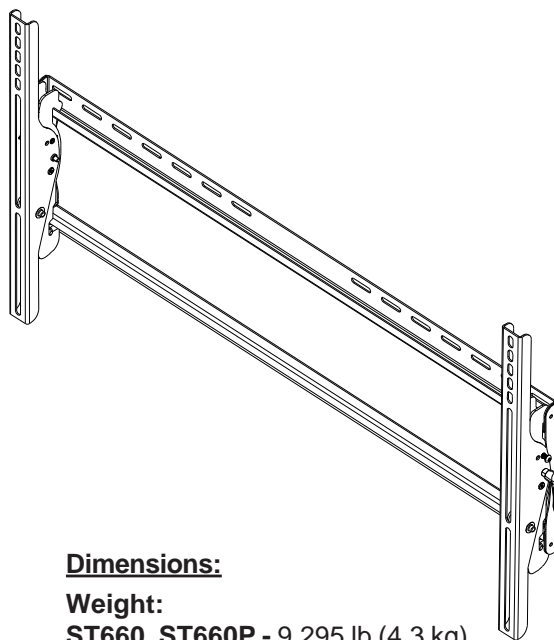
The ST660 delivers enhanced screen compatibility, accommodating large flat panel screens including those with VESA® 800 x 400 mm hole pattern. Its open wall plate architecture delivers placement flexibility and increased electrical and cable management access. Unique pre-tensioned universal tilt screen adapters provide one-touch tilt viewing angle adjustment completing the perfect flat panel installation.

Features:

- Universal mount fits screens with mounting patterns up to 32.75" W x 17.67" H
- Increased screen compatibility includes VESA® 800 x 400 mm mounting hole pattern
- Open wall plate architecture allows for total wall access, increasing electrical access and cable management options
- Adjustable up to 15° of forward tilt and -5° backward tilt for optimal viewing angle
- Pre-tensioned universal tilt screen adapters allow for tilt adjustment without the use of tools
- Easy-grip lever locks the screen position into place
- Optional IncreLok™ feature offers fixed tilt angles of -5°, 0°, 5°, 10° or 15°
- Horizontal screen adjustment of up to 8" (depending on screen model) for perfect screen placement
- Universal screen adapters easily hook onto wall plate for fast installation
- Mounts to wood studs, concrete, cinder block or metal studs (metal stud accessory required)
- Comes with Peerless' Sorted-for-You™ fastener pack with all necessary screen attachment hardware
- Integrated security options available

Accessories:

- Metal Stud Fastener Kit (ACC 415)
- Video Conferencing Shelf (ACC 309)
- Accessory Shelf (PM 600, PM 610)



Dimensions:

Weight:

ST660, ST660P - 9.295 lb (4.3 kg)
ST660-S, ST660P-S - 9.195 lb (4.2 kg)

Shipping Weight:

ST660, ST660P - 11 lb (5 kg)
ST660-S, ST660P-S - 10.9 lb (4.94 kg)

Maximum Load Capacity:

200 lb (90.8 kg)

Shipping Carton

Dimensions:

ST660, ST660P
L = 35.875 in (912 mm)
W = 10.125 in (258 mm)
H = 3.5 in (89 mm)
ST660-S, ST660P-S
L = 35.25 in (819 mm)
W = 10.063 in (256 mm)
H = 3.5 in (89 mm)

ARCHITECTS SPECIFICATIONS

The Smartmount® Universal Tilt Wall Mount shall be Peerless models _____ and shall be located where indicated on the plans. It shall feature adjustable 15° of forward tilt and -5° backward tilt. It shall be constructed of heavy gauge cold rolled steel and finished with scratch resistant Black or Silver Fused Epoxy. Assembly and installation shall be done according to instructions provided by the manufacturer.

Peerless Industries, Inc.

3215 W. North Ave. Melrose Park, IL 60160
708-865-8870 800-865-2112 Fax 708-865-2941

www.peerlessmounts.com

ISSUED: 01-16-06 SHEET NO: 202-9512-9 06-07-10

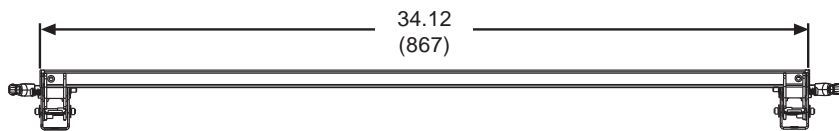
©2008, Peerless Industries, Inc. All rights reserved.

All other brand and product names are trademarks or registered trademarks of their respective owners.

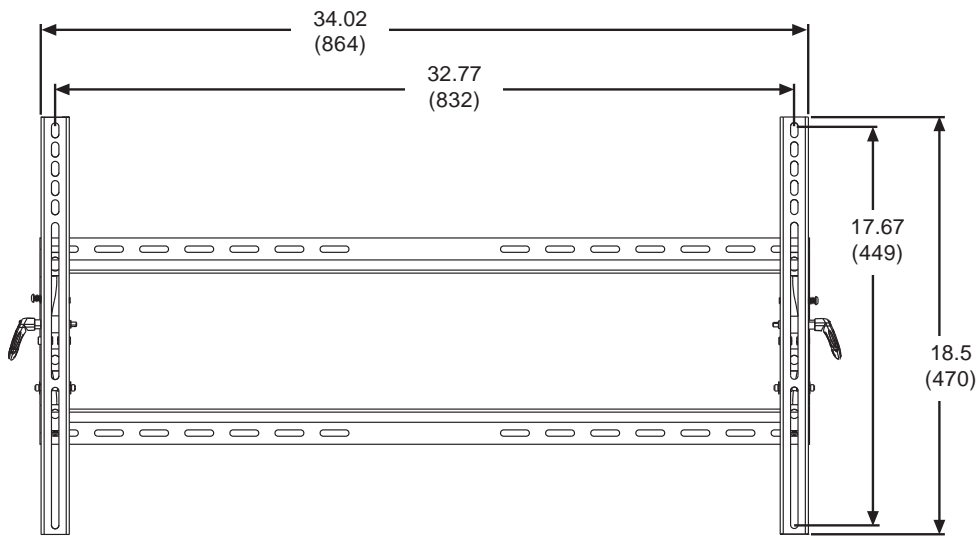
TECHNICAL DATA SHEET

MODELS: ST660, ST660P, ST660-S, ST660P-S, RTFPT2-320, RTFPT2-320S, D-FPT2-320, D-FPT2-320S

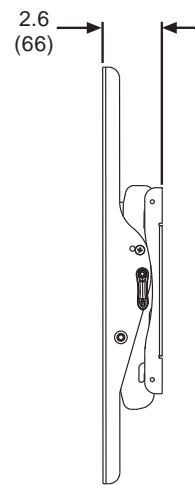
All dimensions = inch (mm)



Top View



Front View

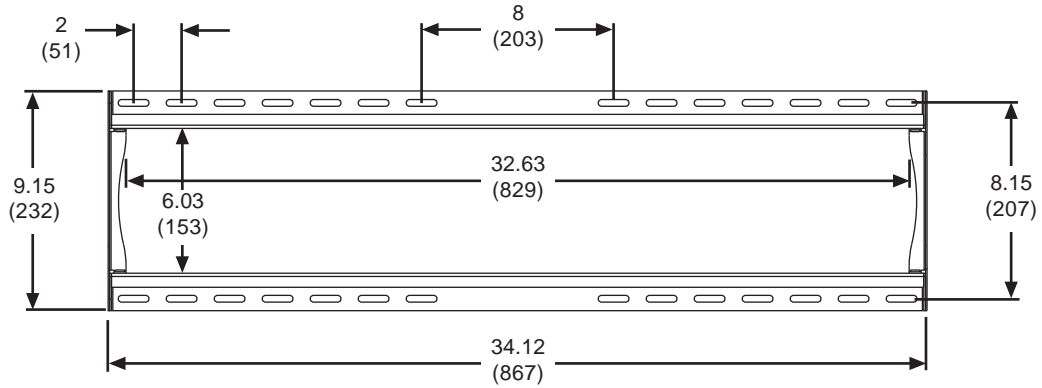


Side View

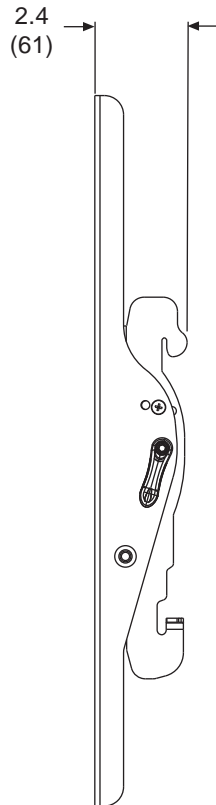
TECHNICAL DATA SHEET

MODELS: ST660, ST660P, ST660-S, ST660P-S, RTFPT2-320, RTFPT2-320S, D-FPT2-320, D-FPT2-320S

All dimensions = inch (mm)



Wall Plate Detail



Adapter Bracket Detail