

TECHNICAL DATA SHEET - 32" - 50" Flat Panel Conversion Kit

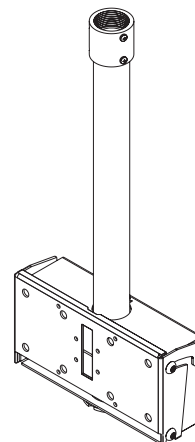
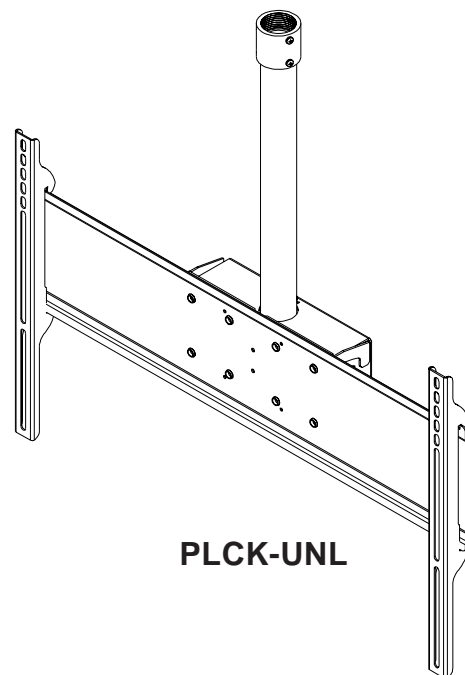
peerless®

PLCK-1, PLCK-UNL

Converting from CRT TVs to flat panels? Peerless has made it simple with the industry's first flat panel conversion kit. Our Flat Panel Conversion Kits (PLCK) utilize existing Jumbo™ CRT wall arms and ceiling extension columns from CRT mounts and provide installers with everything needed to attach a flat panel TV. No drilling required, just remove the yolk-style bracket and replace with the conversion kit. PLCK models position the new flat panel screen in the same location and viewing angle as the previous CRT screen to eliminate a new screen layout plan in the facility. The PLCK Flat Panel Conversion Kit can be attached to wall, ceiling and multi-display mounts and are the ideal solution for renovations in restaurants, bars, health clubs, fitness rooms, classrooms and stadiums.

Features:

- Color: Silver
- Retrofits to any Jumbo single or double wall arm
- Retrofits to any 1-1/2" NPT pipe for ceiling applications
- 360° swivel
- 0° to 20° tilt
- Places the flat panel screen in the same location as the previous CRT screen
- Theft-deterrent security fasteners included
- PLCK-UNL includes universal adapter plate for 32" to 50" screens
- Cords can be routed up through the extension column for cable management


PLCK-1

PLCK-UNL
PLCK-1
Dimensions:
Weight:

11.48 lb (5.2 kg)

Shipping weight:

14.54 lb (6.6 kg)

Max Load Capacity:

225 lb (102.1 kg) screen

Shipping Carton dimensions:
L= 24.5 in. (622 mm)

W= 14.13 in. (359 mm)

H= 5.5 in. (140 mm)

PLCK-UNL
Dimensions:
Weight:

19.71 lb (8.9 kg)

Shipping weight:

23.88 lb (10.8 kg)

Max Load Capacity:

225 lb (102.1 kg) screen

Shipping Carton dimensions:
L= 35.1 in. (892 mm)

W= 21.8 in. (554 mm)

H= 4.3 in. (109mm)

ARCHITECTS SPECIFICATIONS

32" - 50" Flat Panel Conversion Kit shall be a Peerless model **PLCK-1, PLCK-UNL** and shall be installed where indicated on the plans. It shall be constructed of heavy gauge cold rolled steel and finished with scratch resistant Black Fused Epoxy. Assembly and installation shall be done according to instructions provided by the manufacturer.

Peerless Industries, Inc.

 3215 W. North Ave. Melrose Park, IL 60160
 708-865-8870 800-865-2112 Fax 708-865-2941

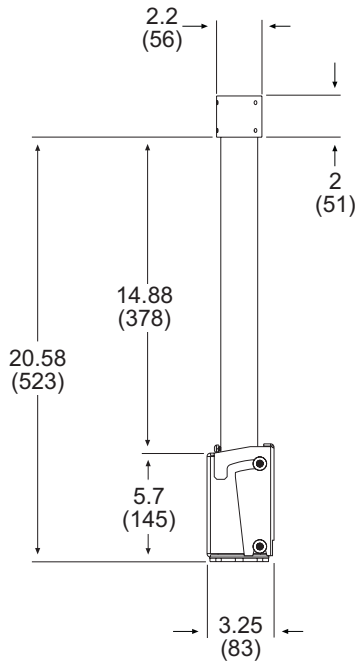
www.peerlessmounts.com
ISSUED: 03-05-07 SHEET NO: 202-9556-3 02-25-08

 ©2007, Peerless Industries, Inc. All rights reserved.
 All other brand and product names are trademarks or registered trademarks of their respective owners.

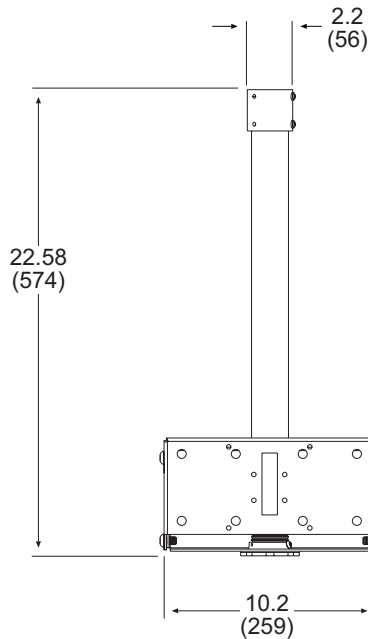
TECHNICAL DATA SHEET

MODEL: PLCK-1, PLCK-UNL

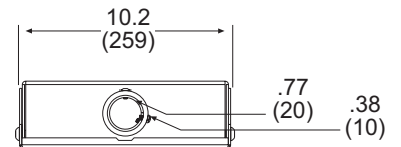
ALL DIMENSION = INCH
(MM)



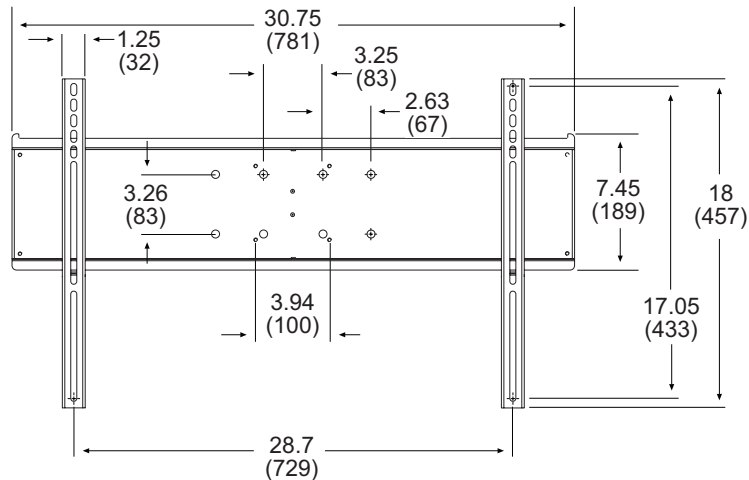
Side View
(PLCK-1, PLCK-UNL
without adapter plate)



Front View
(PLCK-1, PLCK-UNL
without adapter plate)



Top View
(PLCK-1, PLCK-UNL
without adapter plate)



Adapter Bracket Detail
(PLCK-UNL ONLY)