

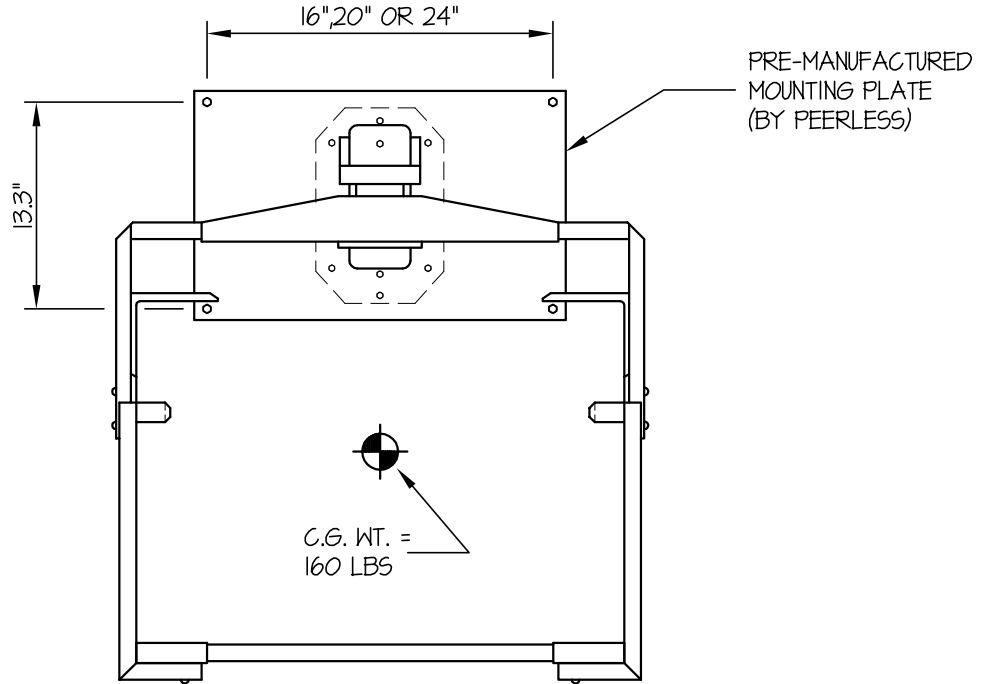
EASE EQUIPMENT ANCHORAGE & SEISMIC ENGINEERING		
PEERLESS INDUSTRIES INC.	DES. R. LA BRIE	SHEET 1
	JOB NO. 11-0109	
SINGLE ARM JUMBO W/ WALL PLATE	DATE 5/4/04	OF 2 SHEETS

SEISMIC ANCHORAGE PRE-APPROVED DETAIL

FOR MOUNTING DIRECTLY TO EXISTING STEEL STUDS

INCLUDES
MODEL #'S

JMW 2630
JMW 2640
JMW 2640D
JMW 2650
JMW 2650D
JMW 2655



FRONT ELEVATION

NOTES:

1. ANCHORAGE DESIGN PER 2001 CALIFORNIA BUILDING CODE - SECTION 1632A AND HAVE BEEN FACTORED TO REPRESENT WORKING DESIGN LOADS, NOT ULTIMATE.
HORIZONTAL FORCE (V_H) = $2.36W - (C_a = .66, I_p = 1.5, a_p = 2.5, R_p = 3.0)$
VERTICAL FORCE (V_V) = $0.33(V_H)$
2. CENTER OF GRAVITY (C.G.) WEIGHT IS A MAXIMUM. THIS PRE-APPROVAL ENCOMPASSES ALL WEIGHTS UP TO THE MAXIMUM WEIGHT SHOWN.
3. ENGINEER OF RECORD FOR THE BUILDING SHALL PROVIDE SUPPORT STRUCTURE DESIGNED TO SUPPORT WEIGHTS AND FORCES SHOWN.

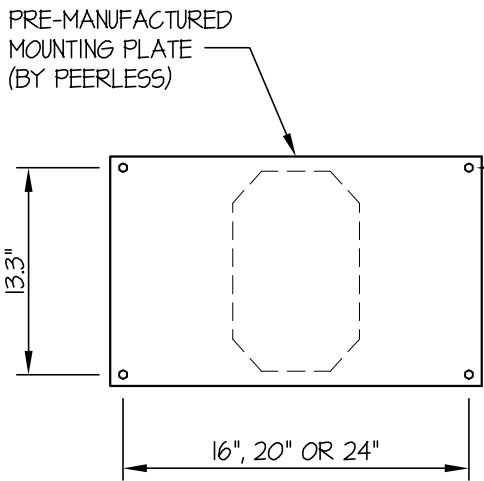


A P P R O V E D	
Fixed Equipment Anchorage	
Office of Statewide Health Planning and Development	
OPA- 0523 May 4, 2004	
**** Valid for 3 Years Maximum ****	
	 John Gillengerten (916) 654-3547

EASE EQUIPMENT ANCHORAGE & SEISMIC ENGINEERING		
PEERLESS INDUSTRIES INC.	DES. R. LA BRIE	SHEET 2
	JOB NO. 11-0109	OF 2 SHEETS
SINGLE ARM JUMBO W/ WALL PLATE	DATE 5/4/04	

SEISMIC ANCHORAGE PRE-APPROVED DETAIL

FOR MOUNTING DIRECTLY TO EXISTING STEEL STUDS

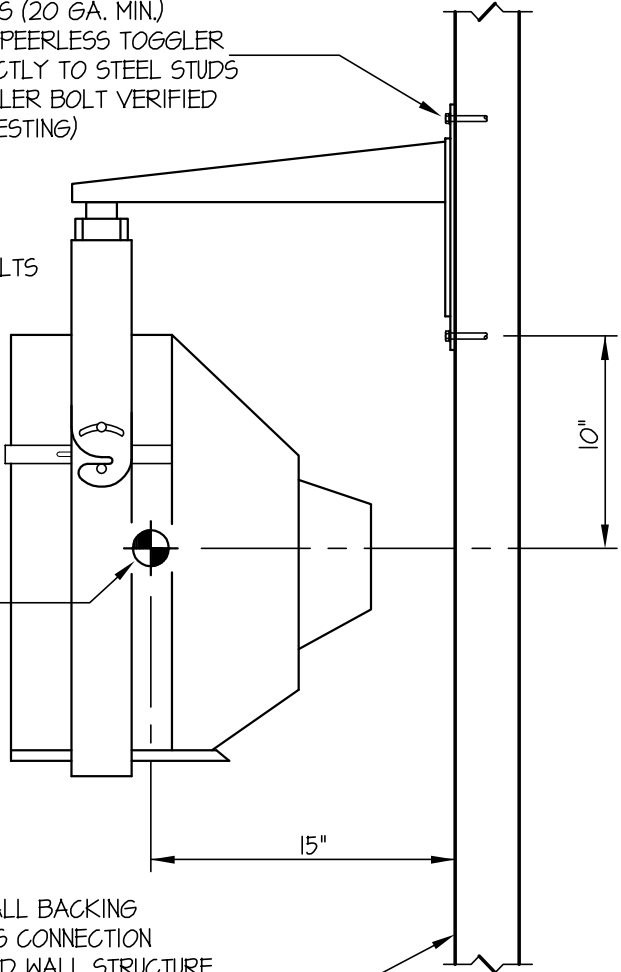


ELEVATION AT WALL BRACKET

T_{MAX} = 338 LBS/BOLT
V_{MAX} = 403 LBS/BOLT

WHERE STEEL STUD WALL OCCURS (20 GA. MIN.)
USE 4- 1/4"φ PEERLESS TOGGLER BOLTS, DIRECTLY TO STEEL STUDS
(NOTE: TOGGLER BOLT VERIFIED BY AC-156 TESTING)

WHERE WOOD STUD WALL OCCURS USE
12- 3/8"φ X 4" LAG BOLTS (PRE-DRILL HOLES TO SHANK DIAMETER)



WALL BACKING IT'S CONNECTION AND WALL STRUCTURE IS TO BE DESIGNED BY ENGINEER OF RECORD (SEE SHEET 4)

SIDE ELEVATION



A P P R O V E D
Fixed Equipment Anchorage
Office of Statewide Health Planning and Development

OPA- 0523 May 4, 2004
**** Valid for 3 Years Maximum ****

John Gillengerten
John Gillengerten (916) 654-3547